



Model B130/CE-8CO Square Frame Bench, 8 ft. long with burgundy powder coated frames and construction heart redwood planks

- **Permanent surface mount installation**
- **11 and 14 ga. square and rectangular steel tube frame construction**
- **2" x 4" Construction Heart Redwood planks installed in frames at factory**
- **Simple bolt together assembly of three pieces**
- **Powder coat finish on frames**

SPECIFICATIONS:

- **B130 Series** bench frames are a bolt together assembly of welded components. Seat frame is 14 ga. wall x 1" x 2" rectangular steel tube. End frames are fabricated from 11 ga. wall x 2" x 2" square tube. 1-1/2" x 1/2" x 1/8" steel channels are welded into the seat frame to secure the planks. A welded steel foot on each leg provides a 9/16" diameter hole for permanently anchoring bench to hard surfaces (anchors not included). Exposed ends of tubing are permanently sealed with welded-on steel end caps.
- **Model B130-4** is a nominal 4 ft. long.
- **Model B130-6** is a nominal 6 ft. long.
- **Model B130-8** is a nominal 8 ft. long.
- Nominal seat height is 17".
- **Standard:** All steel frame components have a black powder coat finish (indicated by "/CB" in model no., e.g. B130/CB-4CO).
- **Standard:** Seat frame has 2" x 4" (nom.) construction heart redwood planks (indicated by "CO" in model no., e.g. B130/CB-4CO) set flush with the face of the frame to provide an even surface. Planks run length-wise in the seat frame with a slight gap between them. Seat frame ships with planks factory installed, using galvanized fasteners.
- All stainless steel fasteners are provided for steel component assembly.
- **Optional:** Color choices of powder coat finish on steel frame components. See Specification Bulletin #SPC-CO-001.
- **Optional:** Model ANC3-4 Anchor Kit for permanent hard surface installation.

AVAILABLE OPTIONS

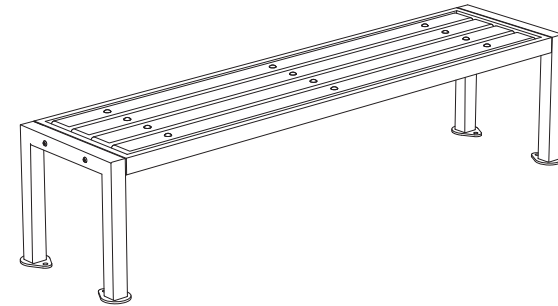
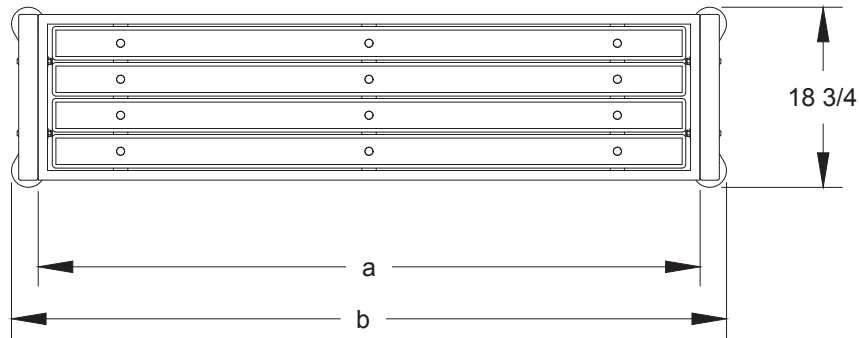
- **4', 6', or 8' lengths**
- **Choice of colors of powder coat finish on steel frame components**

RJThomas Mfg. Co., Inc.

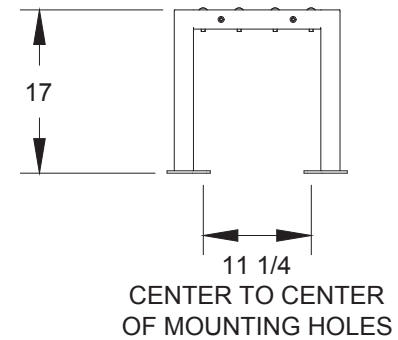
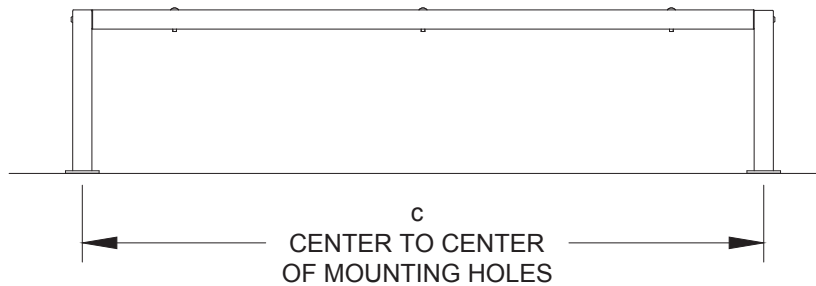
PO Box 946 • Cherokee, IA 51012-0946 • PH: 712-225-5115 • 800-762-5002 • FAX: 712-225-5796

E-Mail: pilotrock@rjthomas.com • Web Site: <http://www.pilotrock.com>

© 2012 RJThomas Mfg. Co., Inc. PILOT ROCK® Park Products is a registered trademark of RJThomas Mfg. Co., Inc.



MODEL	DIMENSION		
	a	b	c
B130-4	44 1/4	49 3/4	46 1/4
B130-6	69	74 1/2	71
B130-8	93 3/4	99 1/4	95 3/4



ALL DIMENSIONS IN INCHES

RJThomas Mfg. Co., Inc.
P.O. Box 946 • Cherokee, IA 51012-0946

DRAWN BY
WWM

TITLE MODEL B130 4, 6, AND 8 FOOT SURFACE MOUNT SQUARE FRAME FLAT BENCH
WITH LUMBER PLANKS

DATE 8-11-17

DWG. NO. AI-2023