



**Model BPRT3/CUT-108**  
 Three Module Bear Proof  
 Trash Receptacle with blue  
 textured powder coat finish.



**Model BPRT2/CNT-72** Two  
 Module Bear Proof Trash Receptacle  
 with green power coat finish.



- **Certified by the Interagency Grizzly Bear Committee**
  - **Model BPRT2-72: IGBC Certificate #5124**
  - **Model BPRT3-108: IGBC Certificate #5107**
- **12 ga., 14 ga., and 7 ga. steel construction**
- **Tight fitting doors and lids, covered lid and door latches designed to prevent bears from getting inside**
- **Reinforced doors on full-length hinge**
- **Lids and door are self-latching**
- **Includes rigid plastic liners and anchor kit**
- **Optional recycling insert plates**

**AVAILABLE OPTIONS**

Choice of colors of textured powder coat finish  
 Recycling insert plate with choice of three sizes of hole

**SPECIFICATIONS:**

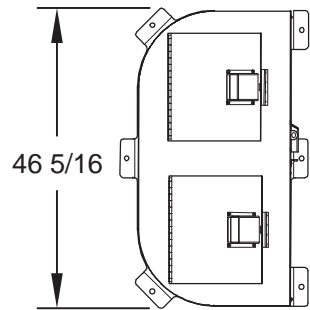
- **BPRT Series** bear resistant trash receptacle is designed and tested to keep bears out of your trash and recyclables.
- **Model BPRT2-72** has two hatches and two front doors and holds two included 36 gallon rigid liners. Dimensions: 46-5/16" wide, 47" tall, 29" deep.
- **Model BPRT3-108** has three hatches and two front doors and holds three included 36 gallon rigid liners. Dimensions: 68-5/16" wide, 47" tall, 29" deep.
- Receptacle meets ADA guidelines for forward and side reach.
- The receptacle features tightly fitted, self-closing hatches for depositing trash, and front access doors for removing the liners.
- Welded construction of 12 and 14 ga. formed steel shell reinforced with 1" x 1" x 18 ga. wall square tubing supports, welded to a 7 ga. base with six 25/32" dia holes for anchors. Anchor kit #ANC5-6 (six 1/2" x 5" concrete screw anchors) is included. Receptacle must be anchored to be considered "Bear Proof."
- Top is sloped for easy access to the 16" square hatch openings. The hatch is secured by a stainless steel hinge and a self-closing commercial duty latch, mounted under a formed steel guard designed to fit human hands, not bear paws. Access for bears is also blocked by a raised obstacle built into the top of the receptacle.
- The front doors are 29" tall x 44" combined width for easy access to liners. Doors are 12 ga. steel mounted on a full length continuous stainless steel hinge. Two self-closing latches secure each door at the top and bottom. A total of four latch points keep doors secure.
- All BPRT models are equipped with a Hasp that extends through a slot in the top of the Right-hand Door on Models BPRT2-72 and BPRT3-108. A Padlock may be attached through the Hole in the Hasp to make the receptacles even more secure.
- Entire unit is finished in textured Brown powder coat paint.
- 36 gallon rigid plastic liners for each module are included.
- Trash or recycling decals are included, green on white vinyl self-adhesive, choice of design. Please specify when ordering.
- **Optional:** Choices of colors of textured powder coat finish. Available in green, black, speckled tan or blue.
- **Optional:** Recycling insert plates finished in black powder coat. Available sizes are:
  - Model BPRP PC1**, 3" Dia. hole.
  - Model BPRP PC5**, 4-3/8" Dia. hole.
  - Model BPRP PC6**, 5-7/8" Dia. hole.
- Our Bear Proof Trash and Recycling Receptacles have been successfully tested by the Grizzly and Wolf Discovery Center (GWDC) using the Interagency Grizzly Bear Committee (IGBC) protocol.

**RJ Thomas Mfg. Co., Inc.**

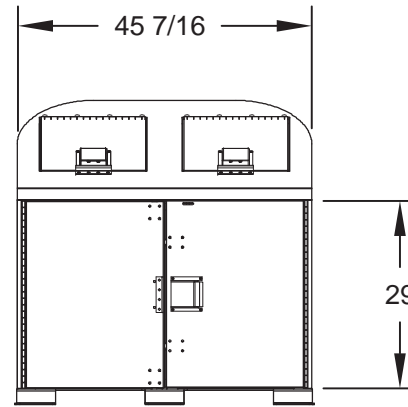
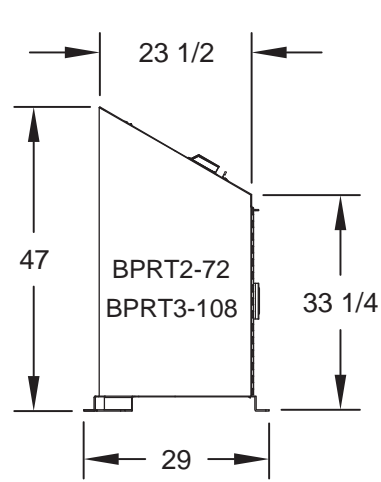
PO Box 946 • Cherokee, IA 51012-0946 • PH: 712-225-5115 • 800-762-5002 • FAX: 712-225-5796

E-mail: pilotrock@rjthomas.com • Web Site: <https://www.pilotrock.com>

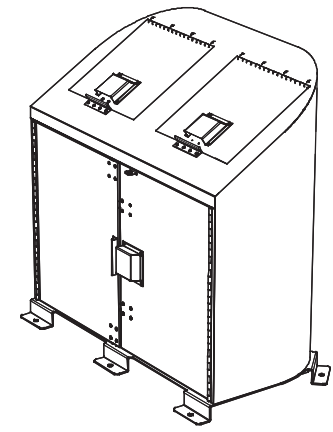
© 2023 RJ Thomas Mfg. Co., Inc. PILOT ROCK® Park Products is a registered trademark of RJ Thomas Mfg. Co., Inc.



BPRT2-72



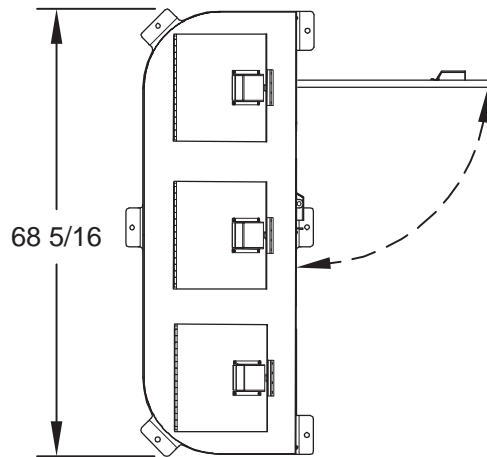
BPRT2-72



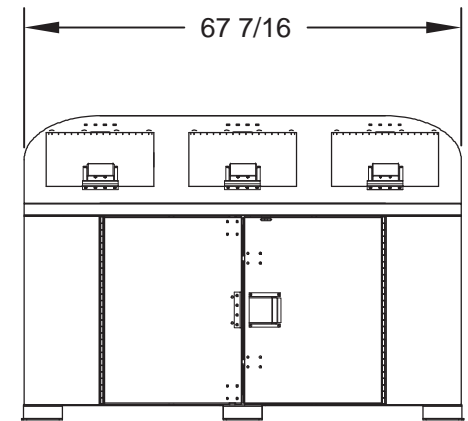
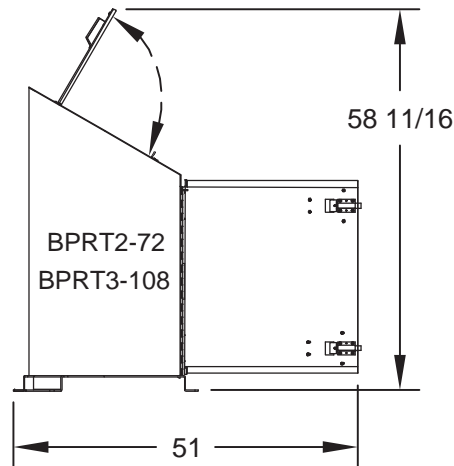
BPRT2-72

**INTERAGENCY GRIZZLY BEAR COMMITTEE CERTIFIED**

BPRT2-72	IGBC CERTIFICATE #5124
BPRT3-108	IGBC CERTIFICATE #5107



BPRT3-108



BPRT3-108

ALL DIMENSIONS IN INCHES

**RJThomas Mfg. Co., Inc.**  
P.O. Box 946 • Cherokee, IA 51012-0946

DRAWN BY  
**MFI**

TITLE **MODELS BPRT2-72 AND BPRT3-108 BEAR PROOF TRASH RECEPTACLES  
SHOWN WITH INCLUDED RIGID PLASTIC LINERS**

DATE **3-29-16**

DWG. NO. **AI-2014**