



*Model ASWS-20 B6S Stainless Steel Grill with  
B6S Embedded Mount Post*

- **Swivel cooking grate rotates 180 degrees from over fire with less than five pounds of force**
- **Cooking grate is less than 34" high**
- **Meets ADA Guidelines for access, reach, and operability**
- **Integral ash retainer flange prevents ashes from falling from the firebox and combats heat warpage along with die-formed side panel flares**
- **Theft-proof base attachment**
- **Full 360° rotation of firebox for draft control**
- **Public use-type grip of coiled steel bar**
- **Quality construction throughout**

#### **AVAILABLE OPTIONS**

**B19S Bolt-down Base Plate Base**

**ANC1-4SS set of (4) 1/2"x3" stainless steel anchor bolts for B19S**

#### **SPECIFICATIONS:**

- **Model ASWS-20 B6S** has a cooking area of 300 sq. in. and a 15-1/4" x 20" firebox with a 6" high side wall and a 10" high side wall.
- **Model ASWS-24 B6S** has a cooking area of 360 sq. in. and a 15-1/4" x 24" firebox with a 6" high side wall and a 10" high side wall.
- This grill meets ADA guidelines for operation of less than 5 lbs. of force with one hand to rotate the grate, and dimensional requirements that the cooking grate be less than 34" above the ground surface.
- Entire firebox is fabricated from 304 grade stainless steel for the back 7 ga. (3/16") and the sides/bottom 11 ga. (1/8"). Firebox has an integral die-formed flanges to retain ashes and to reinforce the firebox from heat warpage, including stainless steel reinforcement under the firebox. Stainless steel wire welded.
- The single level, 300 sq. in. stainless steel cooking grate is laser cut from 7 ga. (3/16") thick stainless steel plate, stainless swivel tube, handle and grip.
- Stainless steel components are not painted. There will be visible weld marks.
- Grate is provided with a substantially constructed spring grip suitable for public use made from 1/8" x 1/2" flat bar (not wire springs).
- Grate is mounted on a 2-3/8" OD tube allowing it to rotate on a horizontal plane out of the grill. Two welded-on stops limit rotation to 180° to prevent the handle entering the area over the fire.
- A base attachment mechanism constructed from 3/16" stainless steel plate is provided that is absolutely theft-proof, allows unrestrained continuous rotation in either direction and maintains a stable cooking surface.
- **Standard:** Grill shall be supported by a 2-3/8" O.D., 40" long, stainless steel pipe for permanent installation in concrete footing (indicated by "B6S" in model no., e.g. ASWS-20 B6S).
- **Optional:** Grill shall be provided with a stainless steel bolt-down base plate post for hard surface mounting applications. Replace "B6S" in model no. with "B19S", e.g. ASWS-20 B19S. Does not include anchor bolts.

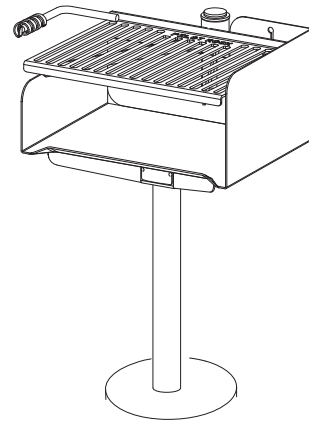
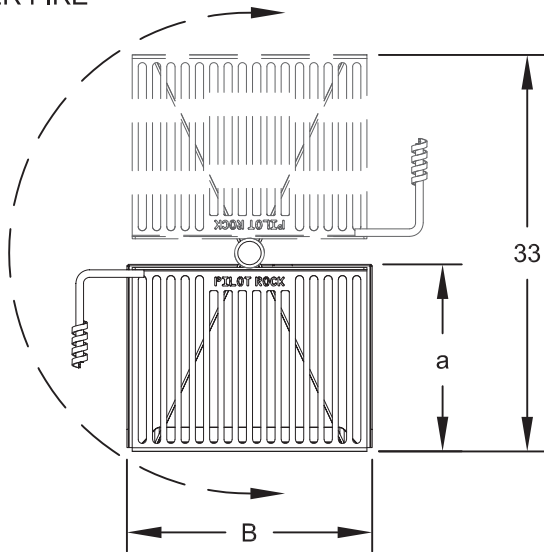
**RJ Thomas Mfg. Co., Inc.**

PO Box 946 • Cherokee, IA 51012-0946 • PH: 712-225-5115 • 800-762-5002 • FAX: 712-225-5796

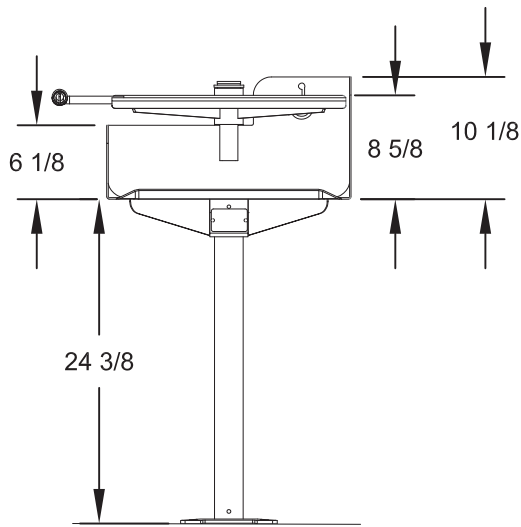
E-mail: [pilotrock@rjthomas.com](mailto:pilotrock@rjthomas.com) • Web Site: <https://www.pilotrock.com>

© 2021 RJ Thomas Mfg. Co., Inc. PILOT ROCK® Park Products is a registered trademark of RJ Thomas Mfg. Co., Inc.

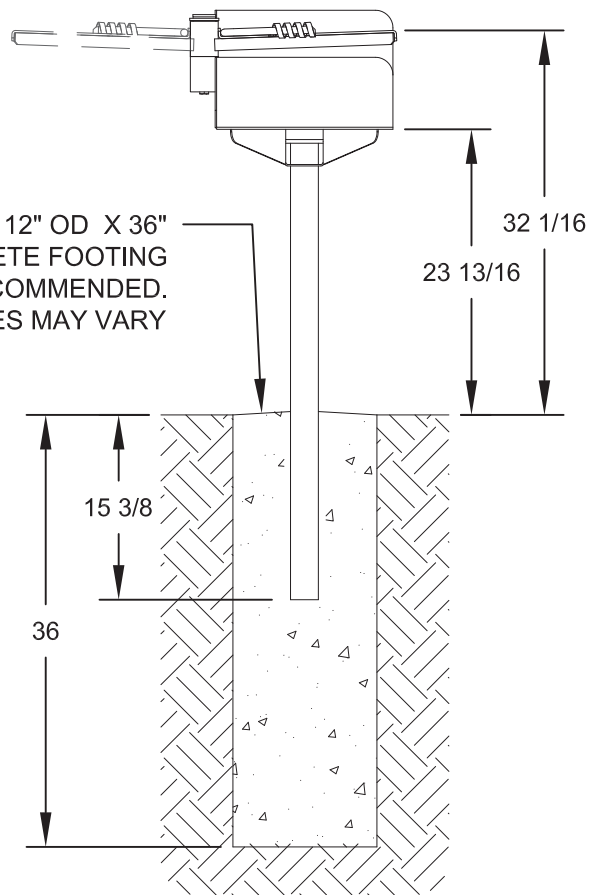
GRATE ROTATES 180° FROM OVER FIRE WITH 5 LBS. OF FORCE. HANDLE IS NEVER OVER FIRE



STANDARD B6S EMBEDDED POST INSTALLATION



OPTIONAL B19S SURFACE MOUNT INSTALLATION



MINIMUM 12" OD X 36" CONCRETE FOOTING RECOMMENDED. LOCAL CODES MAY VARY

STANDARD B6S EMBEDDED POST INSTALLATION

| MODEL NUMBER | DIMENSION |        |
|--------------|-----------|--------|
|              | a         | b      |
| ASWS-20      | 15-1/8    | 20-1/4 |
| ASWS-24      | 15-1/8    | 24-1/4 |

ALL DIMENSIONS IN INCHES

**RJThomas**  
Mfg. Co., Inc.  
P.O. Box 946  
Cherokee, IA 51012

**TITLE**

MODEL ASWS-20 & ASWS-24 B6S STAINLESS STEEL  
ACCESSIBLE PARK GRILL WITH B6S EMBEDDED MOUNT BASE

**DRAWN BY** JGJ

**DATE** 1-21-2021

**DWG. NO.** AI-3019