

Model B303 12 and 15 Foot Team Bench with Lumber Seat, Back, and Deck



Model **B303/G-12TP21** Team Bench with hot dip galvanized frames,
12 ft. long, with treated Southern Yellow Pine
2" x 10" seat, back, and deck planks.

- **19" wide equipment deck keeps sports gear out of the dirt and within reach**
- **Extra heavy design to be stronger and more stable with a simple, clean style**
- **Sturdy, formed and welded steel frame construction**
- **Frames are Hot-Dip Galvanized after fabrication for superior corrosion resistance**
- **Precision drilled lumber**
- **Diagonal bracing for strength and rigidity**
- **Quality construction throughout**

SPECIFICATIONS:

- **Model B303** end frames are one-piece, welded construction with a die-formed back, seat, and deck bracket of 2-3/8" x 1-1/2" x 1/8" nominal sized channel, and a 2.375" (2-3/8") O.D. (to meet 2" nominal steel pipe size specifications) steel pipe, die-formed to create a stable base for the bench. Bench is designed to be portable.
- **Model B303/G-12** is 12 ft. long (nom.) with three frames.
- **Model B303/G-15** is 15 ft. long (nom.) with three frames.
- Seat height is 17-9/16", deck height is 35".
- Frames are supported by diagonal braces of 1-5/16" O.D. 14 ga. wall steel pipe that connect to the underside of the deck.
- **Standard:** All steel frame components are hot-dip galvanized after fabrication to ASTM-A123 to maintain an average zinc coating of 2.0 oz. per sq. ft. of surface area (indicated by "/G" in model no., e.g. B303/G-12TP21).
- **Standard:** Seat and back are each a single 2" x 10" plank, two 2" x 10" planks create a 19" wide deck the full length of the bench. Lumber is Treated #1 Southern Yellow Pine, pressure treated and kiln dried after treatment (KDAT) to preserve wood against decay (indicated by "TP21" at end of the model no, e.g. B303/G-12TP21).
- All fasteners are provided for assembly.
- **Optional:** Color choices of powder coated steel frame components. For optional colors choices see Specification Bulletin #SPC-CO-001.
- **Optional:** Bench can be anchored to concrete surfaces with Anchor Kit #ANC2-6.

AVAILABLE OPTIONS

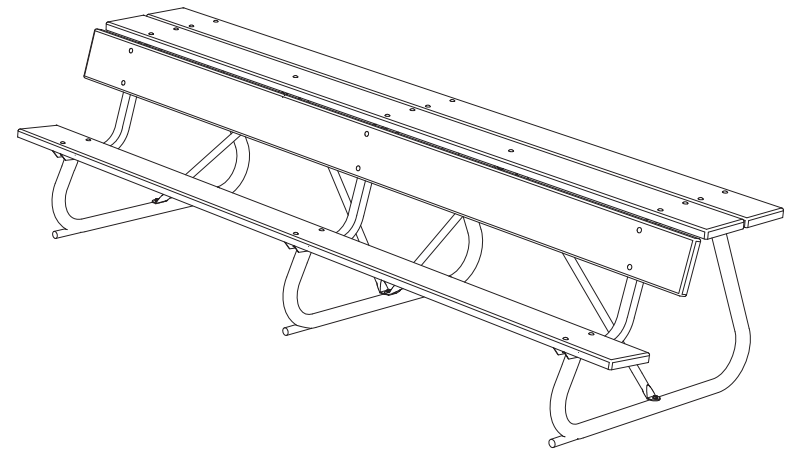
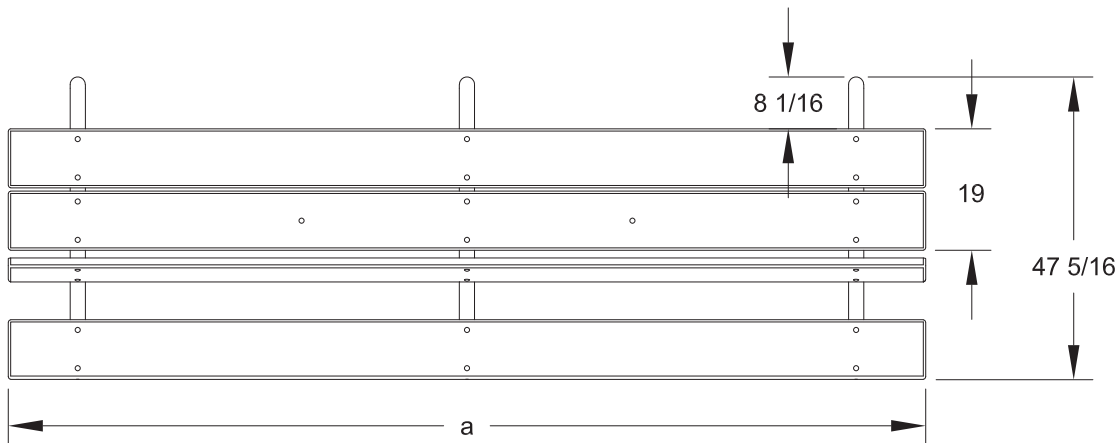
- **12' or 15' models**
- **Powder Coat Finish in choice of colors for steel frame components**

RJ Thomas Mfg. Co., Inc.

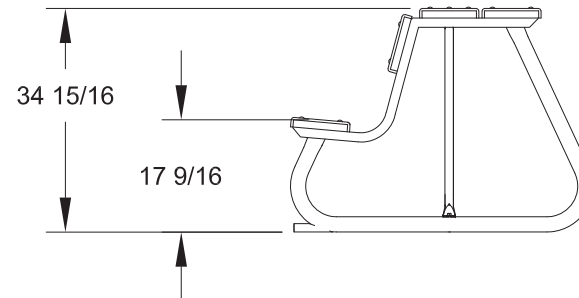
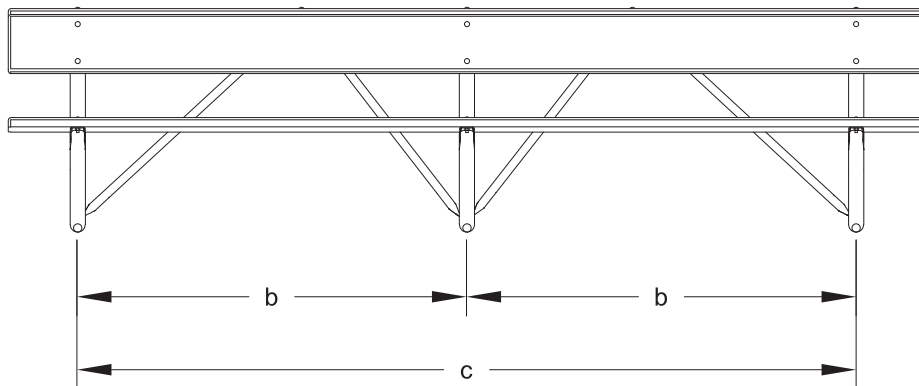
PO Box 946 • Cherokee, IA 51012-0946 • PH: 712-225-5115 • 800-762-5002 • FAX: 712-225-5796

E-mail: pilotrock@rjthomas.com • Web Site: <https://www.pilotrock.com>

© 2020 RJ Thomas Mfg. Co., Inc. PILOT ROCK® Park Products is a registered trademark of RJ Thomas Mfg. Co., Inc.



MODEL	DIMENSION		
	a	b	c
B303-12	143 1/2	60 7/8	127 3/4
B303-15	179 1/2	80 1/4	160 1/2



ALL DIMENSIONS IN INCHES

RJThomas Mfg. Co., Inc.
P.O. Box 946 • Cherokee, IA 51012-0946

DRAWN BY
WWM

TITLE MODEL B303 12 AND 15 FOOT PORTABLE TEAM BENCH
WITH LUMBER SEAT, BACK, AND EQUIPMENT DECK

DATE 2-11-10

DWG. NO. **AI-1914**