

# Model FLC/B-30 Firering Lockout Cover



*Model FLC/B-30 Firering Lockout Cover installed on a FS-30 Firering.*



*Model FLC/B-30 Firering Lockout Cover installed on a FA-30 Firering.*

**SPECIFICATIONS:**

- **Model FLC/B-30** Firering Lockout Cover can be used to take a Pilot Rock® campfire ring out of service.
- This steel cover slides onto the campfire ring and hooks to the underside of the formed flange around the top of the ring. One hook is padlocked on and prevents the cover from being removed.
- This Firering Lockout Cover can be used to restrict the use of campground firerings when a burn ban is in place, or for any reason you want to prevent campfires in an area. The cover can be easily removed whenever it is safe for campers to burn again.
- Heavy 12 ga. steel plate fabrication with (2) welded on hooks and (1) padlocked-on hook, and flange reinforced. Finished with high temp non-toxic black enamel paint. A convenient carry handle is cut into the cover.
- Model FLC/B-30 Firering Lockout Cover will fit most Pilot Rock campfire rings with a 30 inch inside diameter and a 32 inch outside diameter at the top flange. Refer to the table below for more information.
- The padlock is included (Model PL-1, all keyed alike).
- A warning/informational decal (#DE-45) is included.
- **Note:** this cover may fit other brand firerings with similar dimensions, but we have not tested it on other brands. We make no guarantee that it will fit on firerings from other manufacturers.
- **Note:** Currently we do NOT have Lockout Covers for Model L-32, Model M-32, smaller (26") diameter or larger (48" or 56") diameter campfire rings.

- **Fits most Pilot Rock® firerings with 30" diameter**
- **Easy to install and remove**
- **Padlock included**

**Model FLC/B-30 Firering Lockout Cover Use and Limits:**

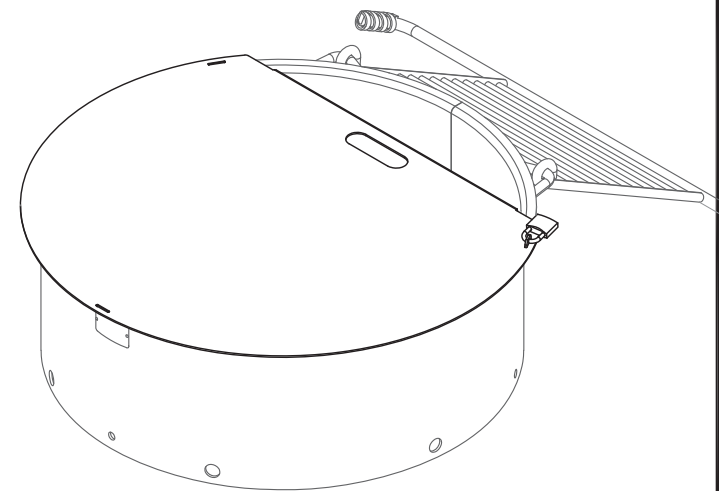
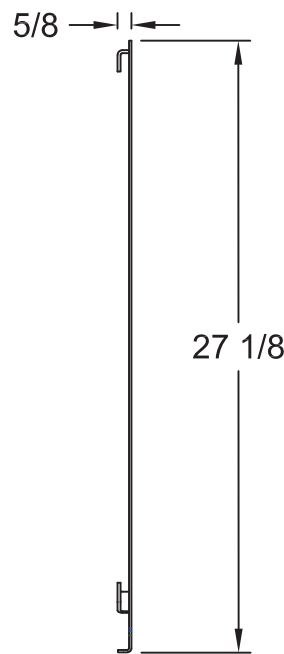
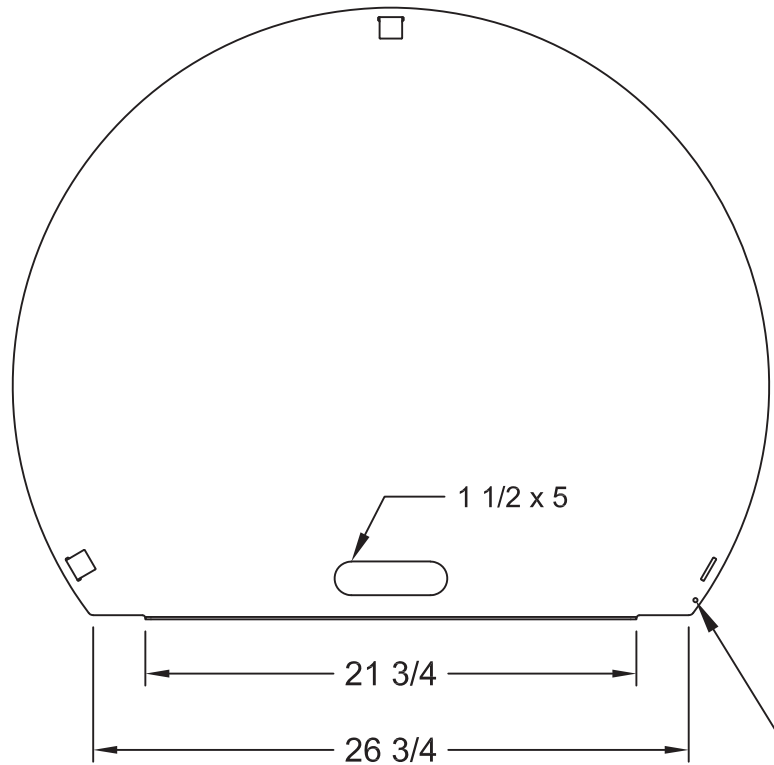
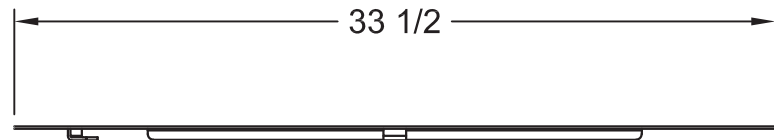
Cover Will Work On These Pilot Rock® Campfire Rings:	My Campfire Ring Has A #S5 Bolt-on Shelf	My Campfire Ring Has A Welded-on Heat Shield	My Campfire Ring Has A Bolted-on Heat Shield	FLC/B-30 Lockout Cover will NOT fit on:
FA-30 FSDW-30 FSW/SL-30 FSWS-30	FS-30 FSW-30 FX-30 FXS-30	Model S5 shelf will conflict with the installation of this Cover. The shelf will need to be removed.	This Cover will fit on FA-30, FS-30, FSW-30, FX-30 and FSW/SL-30 firerings that include the WELDED ON heat shield.	This Cover will not fit on any campfire ring with the Bolted on heat shield. You would need to remove the heat shield to install the Cover.
	If the S5 shelf is mounted to the welded on heat shield then this Cover will fit.			FSWDW-30/18 swivel grate, double wall firering.

**RJ Thomas Mfg. Co., Inc.**

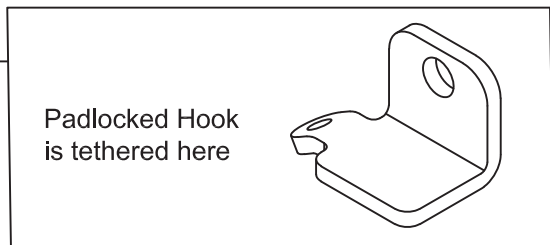
PO Box 946 • Cherokee, IA 51012-0946 • PH: 712-225-5115 • 800-762-5002 • FAX: 712-225-5796

E-mail: pilotrock@rjthomas.com • Web Site: <https://www.pilotrock.com>

© 2020 RJ Thomas Mfg. Co., Inc. PILOT ROCK® Park Products is a registered trademark of RJ Thomas Mfg. Co., Inc.



FLC/B-30 Firering Lockout Cover installed on FS-30 Campfire Ring



ALL DIMENSIONS IN INCHES

ALL DIMENSIONS IN INCHES

**RJThomas Mfg. Co., Inc.**  
P.O. Box 946 • Cherokee, IA 51012-0946

DRAWN BY  
**JGJ**

TITLE MODEL FLC/B-30 Firering Lockout Cover (Padlock is included)

DATE 10-27-2020

DWG. NO. **AI-3017**