



*Model N2-2032 B2 Multilevel Grill
with twin independently adjustable cooking grates*

FEATURES

- **Two identical cooking grates with four cooking height levels with easy grate adjustment in slots die-cut from the steel sides of grill box**
- **Firebox is reinforced with flares die-formed into front edges of side panels plus a reinforcing ring on the bottom of the firebox**
- **Integral ash retainer flange combats heat warpage and prevents ashes from falling from the firebox**
- **Theft-proof base attachment**
- **Full 360° rotation for draft control**
- **Public use-type grips of coiled steel bar**
- **Economic design, quality construction**
- **Utility shelf option**

AVAILABLE OPTIONS

- Utility Shelf (S1)
- Utility Shelf (S2)
- Portable Disk Base
- Bolt-down Base Plate Base
- Stainless Steel Grates

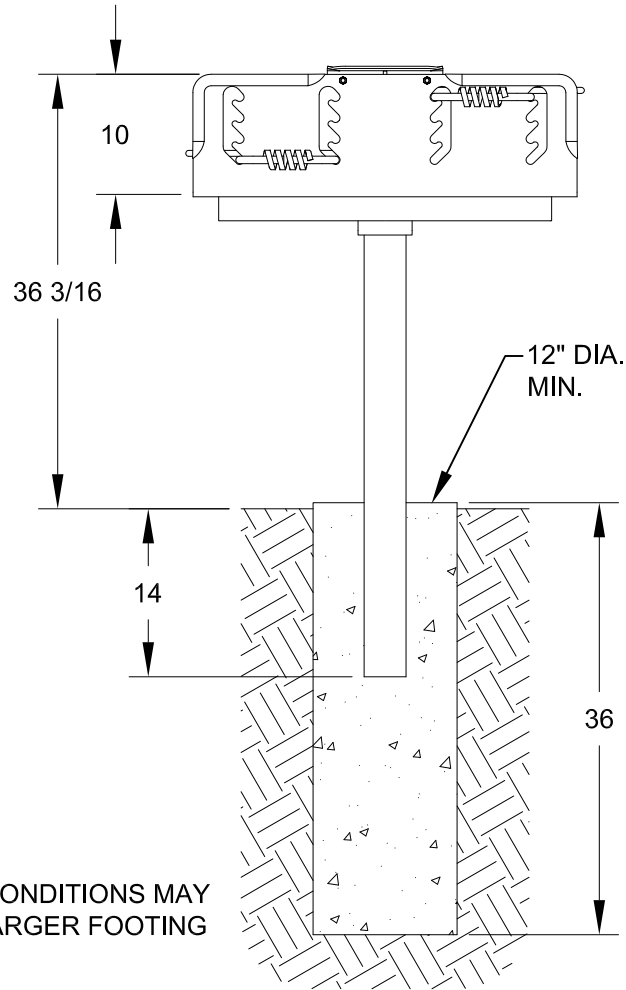
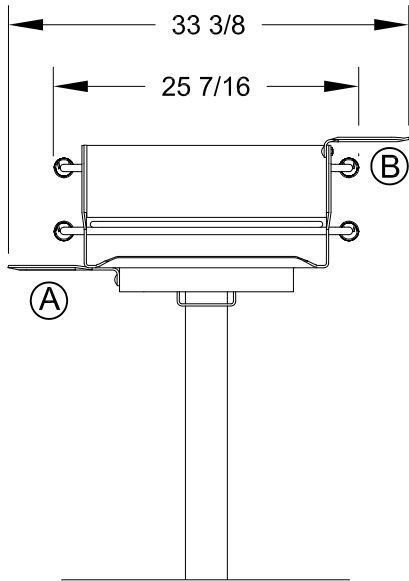
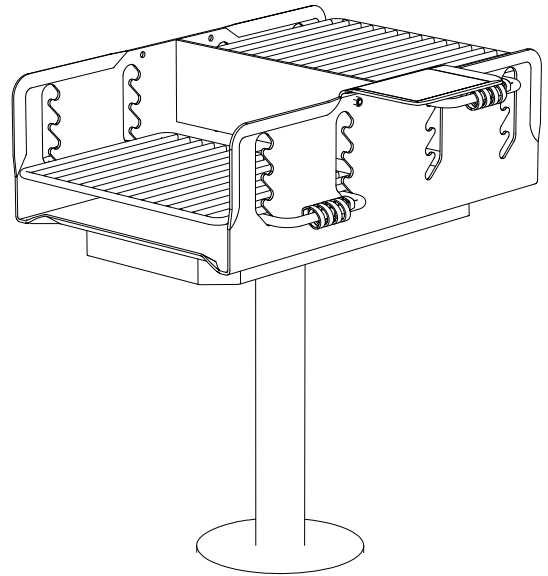
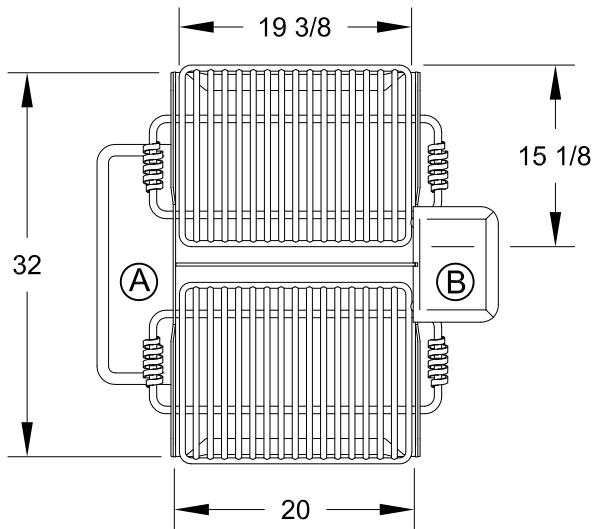
SPECIFICATIONS:

- **Model N2-2032 B2** has two identical 300 sq. in. grates, for a combined cooking area of 600 sq. in. Each grate adjusts independently to 4 levels between 3-1/2" and 8-3/4" above the firebed. Two back to back 15" x 20" x 10" high firebox compartments provide independent fire control for each grate.
- The 32" x 20" x 10" firebox is constructed entirely of 3/16" plate steel with integral ash flange die-formed into each open end to retain ashes and provide reinforcement. Panel reinforcing flares are die-formed into the front edges of both side panels. A solid steel panel separates the two fire compartments. A reinforcing ring under the firebox adds protection from heat warpage. All exposed corners are rounded to 1-1/2" radius and all edge connections are entirely welded. Allowance for drainage is provided.
- The grates are each constructed from 5/8" dia. A-36 steel bars for support handles and 1/2" dia. A-36 steel bars spaced 1-1/8" on centers to provide the grate surface and are permanently attached to firebox.
- Grates are each provided with two substantially constructed spring coil grips suitable for public use made from 1/8" x 1/2" steel flat bar (not wire springs).
- Grill is permanently attached after base installation by means of absolutely theft-proof base attachment allowing continuous rotation of grill in either direction.
- **Standard:** Grill is supported by a 3-1/2" O.D. x 40" long steel pipe for permanent installation in concrete footing (indicated by "B2" in model no., e.g. N2-2032 B2).
- Entire unit is finished in high temperature, heat resistant, nontoxic black enamel.
- **Optional:** One or two **Model S1** 3/16" x 7-1/8" x 9-5/8" black enamel painted steel utility shelf. Mounts at top center of the either or both side of the firebox. Order as a separate item.
- **Optional:** One **Model S2** 3/16" x 9" x 20" black enamel painted steel plate utility shelf. Order as separate item.
- **Optional:** Grill is provided with two grates constructed from 304 grade stainless steel bars with the same component dimensions and construction features as above (add "/SS" after "N2" in model no., e.g. N2/SS-2032 B2).
- **Optional:** Grill is provided with a 1/4" x 8" x 8" bolt-down base plate base for hard surface mounting applications. Replace "B2" in model no. with "B3", e.g. N2-2032 B3.
- **Optional:** Grill is provided with a 23-3/8" dia. portable disc base. Replace "B2" in model no. with "B4", e.g. N2-2032 B4.

RJ Thomas Mfg. Co., Inc.

PO Box 946 • Cherokee, IA 51012-0946 • PH: 712-225-5115 • 800-762-5002 • FAX: 712-225-5796
E-mail: pilotrock@rjthomas.com • Web Site: <http://www.pilotrock.com>

© 2014 RJ Thomas Mfg. Co., Inc. PILOT ROCK® Park Products is a registered trademark of RJ Thomas Mfg. Co., Inc.



(A) OPTIONAL S2 UTILITY SHELF

(B) ONE OR TWO OPTIONAL S1 UTILITY SHELF

NOTE:
LOCAL SOIL CONDITIONS MAY
REQUIRE A LARGER FOOTING

ALL DIMENSIONS IN INCHES

RJThomas
Mfg. Co., Inc.
P.O. Box 946
Cherokee, IA 51012

TITLE **MODEL N2-2032 TWIN GRATE MULTILEVEL PARK GRILL
WITH B2 BASE - SHOWN WITH OPTIONAL UTILITY SHELVES**

DRAWN BY	WWM
DATE	12-15-14
DWG. NO.	AI-2063