

Model ORP Surface Mount Omega Bike Rack



*Model ORP/CU Omega Bike Rack holds two bikes.
Blue Powder Coat finish.*

- **Simple design holds two bike of any size and works with any bike security device**
- **Hot-dip galvanized after fabrication for superior corrosion resistance**

SPECIFICATIONS:

- **Model ORP** bike rack is a one-piece welded construction of 1.90" OD 11 ga. wall steel tubing formed into a 36-3/4" dia. ring and two 4-1/2" dia. x 3/16" thick steel base plates for mounting on hard surfaces.
- Overall nominal height is 32".
- **Standard:** Entire unit is hot-dip galvanized after fabrication to ASTM-A123 to maintain an average zinc coating of 2.0 oz. per sq. ft. of surface area (indicated by "/G" in model no., e.g. ORP/G).
- **Optional:** Entire unit has powder coat finish. For color choices see Specification Bulletin #SPC-CO-001.
- **Optional:** Anchor kit **ANC3-6** with six 3/8" dia. x 3" screw anchors. Order separately.

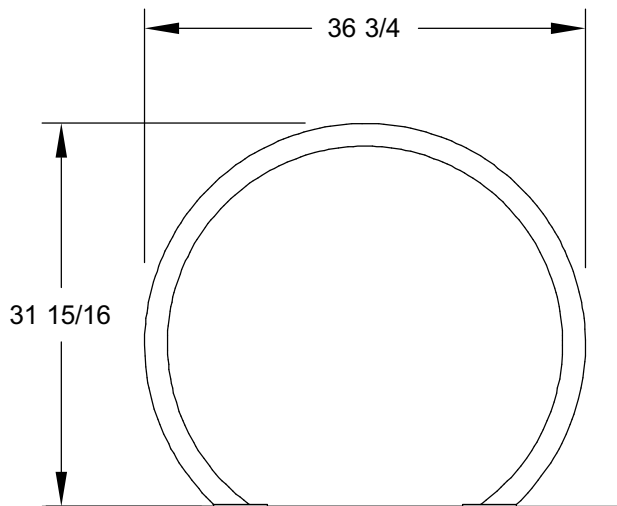
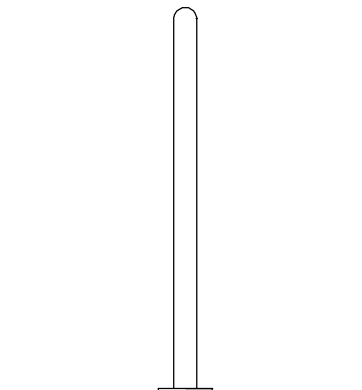
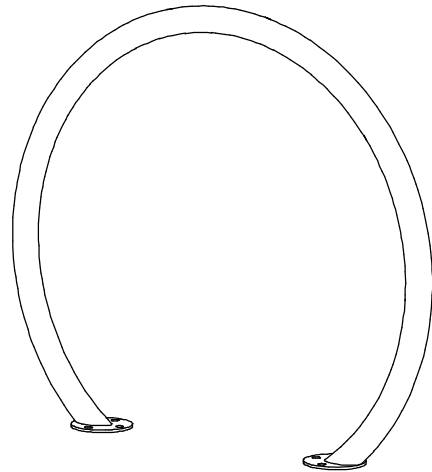
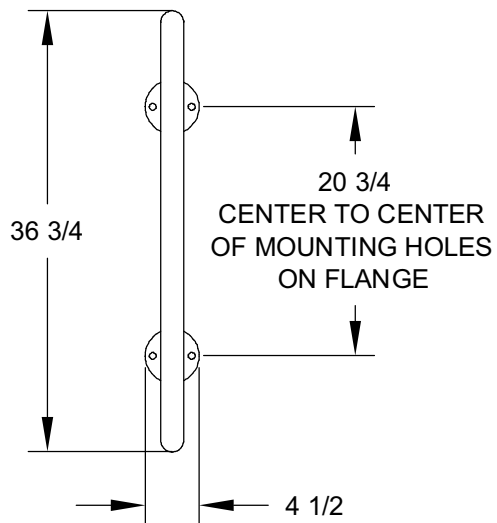
AVAILABLE OPTIONS

- Choice of colors of Powder Coat Finish
- Anchor kit

RJThomas Mfg. Co., Inc.

PO Box 946 • Cherokee, IA 51012-0946 • PH: 712-225-5115 • 800-762-5002 • FAX: 712-225-5796
E-mail: pilotrock@rjthomas.com • Web Site: <http://www.pilotrock.com>

© 2008 RJThomas Mfg. Co., Inc. PILOT ROCK® Park Products is a registered trademark of RJThomas Mfg. Co., Inc.



ALL DIMENSIONS IN INCHES

RJThomas
Mfg. Co., Inc.
P.O. Box 946
Cherokee, IA 51012

TITLE MODEL ORP SURFACE MOUNT OMEGA BIKE RACK

DRAWN BY **WWM**

DATE 9-11-08

DWG. NO. **AI-1803**