



**Model BR30/CN** Steel Wheels Bike Rack holds two bikes.  
Green Powder Coat finish.



**Model BR31/CE** Steel Wheels Bike Rack holds two to four bikes.  
Burgundy Powder Coat finish.

- **Simple design holds two to four bikes of any size and works with most bike security devices**
- **Fully welded assembly**

---

## AVAILABLE OPTIONS

---

**Choice of colors of Powder Coat Finish**  
**Anchor kit**

---

## SPECIFICATIONS:

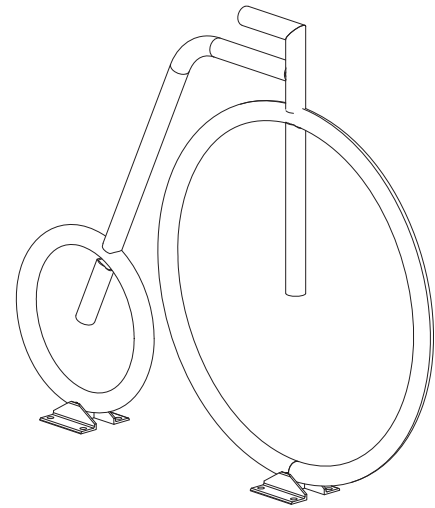
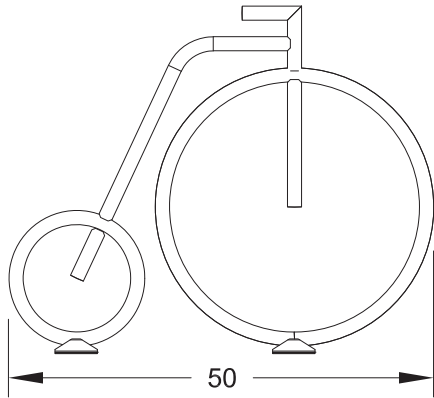
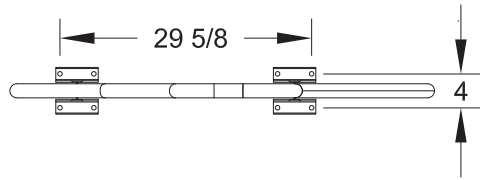
---

- **Model BR30 and BR31** bike racks offer one-piece welded construction of 1.66" OD 10 ga. wall steel tubing and two 3/16" thick steel angles welded to each wheel, providing 8 anchor points per rack.
- Surface mount installation only.
- **BR30:** Overall nominal height is 41".  
Overall nominal width is 50".
- **BR31:** Overall nominal height is 45".  
Overall nominal width is 76".
- **Standard:** Entire unit has powder coat finish. For color choices see Specification Bulletin #SPC-CO-001.
- **Optional:** Anchor kit **ANC1-4** with four 1/2" dia. x 3" concrete screw anchors (2 sets needed). Order separately.

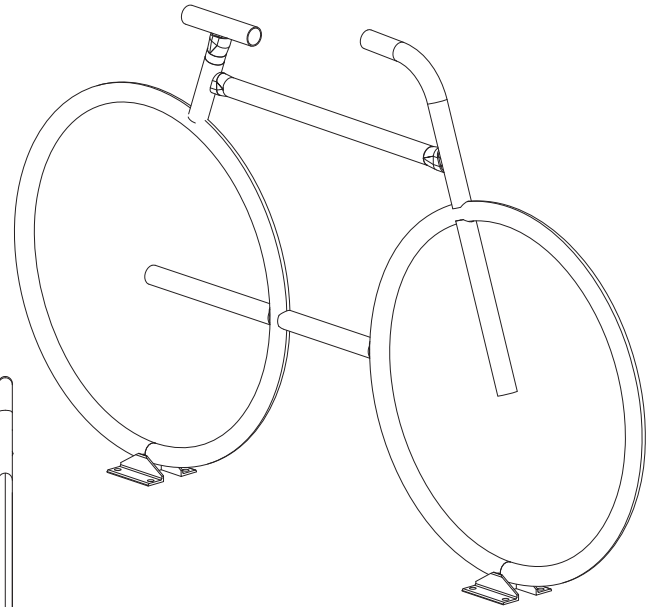
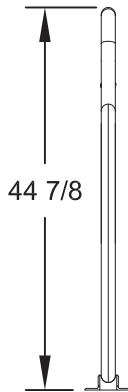
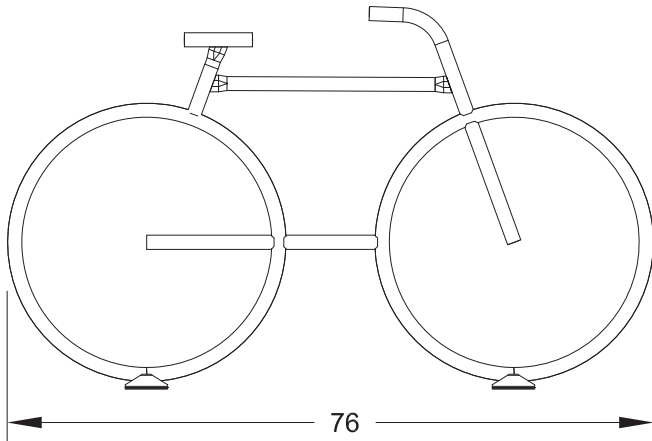
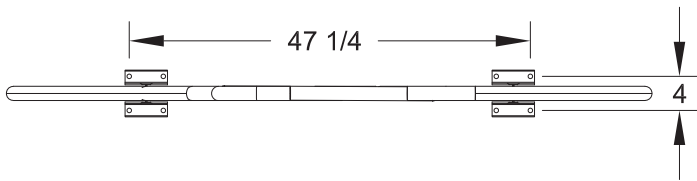
**RJ Thomas Mfg. Co., Inc.**

PO Box 946 • Cherokee, IA 51012-0946 • PH: 712-225-5115 • 800-762-5002 • FAX: 712-225-5796  
E-mail: pilotrock@rjthomas.com • Web Site: <http://www.pilotrock.com>

© 2019 RJ Thomas Mfg. Co., Inc. PILOT ROCK® Park Products is a registered trademark of RJ Thomas Mfg. Co., Inc.



MODEL BR30 BIKE RACK



MODEL BR31 BIKE RACK

ALL DIMENSIONS IN INCHES

**RJThomas**  
**Mfg. Co., Inc.**  
 P.O. Box 946  
 Cherokee, IA 51012

TITLE MODELS BR30 & BR31 SURFACE MOUNT STEEL WHEELS  
 BIKE RACKS

DRAWN BY JGJ

DATE 06-07-2019

DWG. NO. AI-3005