

Model CBP-247 Backyard Charcoal Grill



Model CBP-247 Backyard Charcoal Grill.



*Model CBP-247 Backyard Charcoal Grill
with grate raised for fire building or cleaning.*



Content of the box

SPECIFICATIONS:

- **Park Quality Construction:** Durable 1/8" thick steel firebox, plus 1/2" and 3/8" diameter solid steel bars for the cooking grate. 1/8" thick steel hot plate. These are the same materials used to make charcoal grills for public parks and campgrounds.
- **Large Cooking Area:** The firebox measures 24" x 16" x 10" high. This provides a total of 384 sq. inches of cooking area.
- **Adjustable Cooking Grate:** The cooking grate is easily adjusted to four levels above the coals. The commercial quality coiled steel bar grips on each side make grate adjustments easy and cool.
- **Cooking Grate Tips Up:** The cooking grate can be tipped up for easy fire building and firebox clean out. The grate remains permanently attached to the firebox.
- **Full 360 Degree Rotation:** This grill design provides a full 360 degree rotation in either direction. This allows you to easily compensate for changes in the wind while grilling.
- **Theft Proof Swivel Attachment:** Installation includes a locking pin in the grill-to-post swivel box. This design prevents removal of the firebox from the post and prevents theft.
- **Easy Post Assembly and Installation:** The base post comes in two sections, providing assembled dimensions of 2-3/8" OD x 40" long. Installation requires embedding the post into a concrete footing (concrete not included). An easy weekend D.I.Y. project.
- **Firebox and Grate are Fully Assembled.**
- **Finished with High Temp Non Toxic Black Enamel Paint.**
- **Ships in one box.**
Weight: 68 lbs.
Dimensions: 30"W x 17-1/2"L x 14-1/4"H.

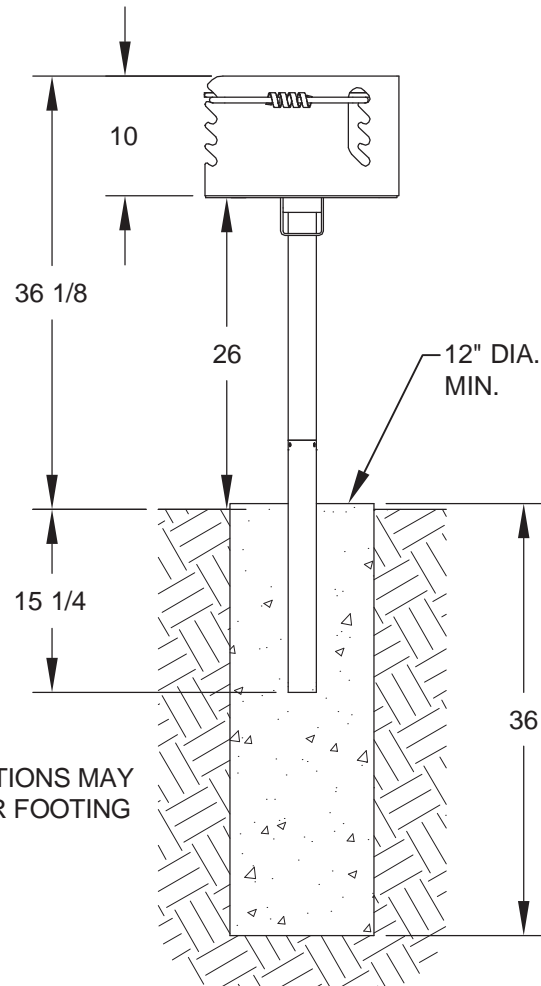
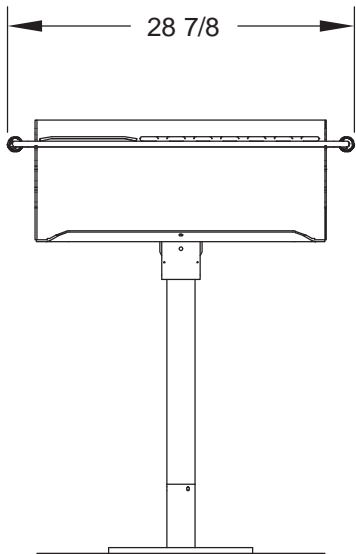
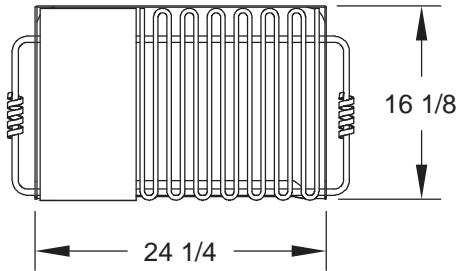
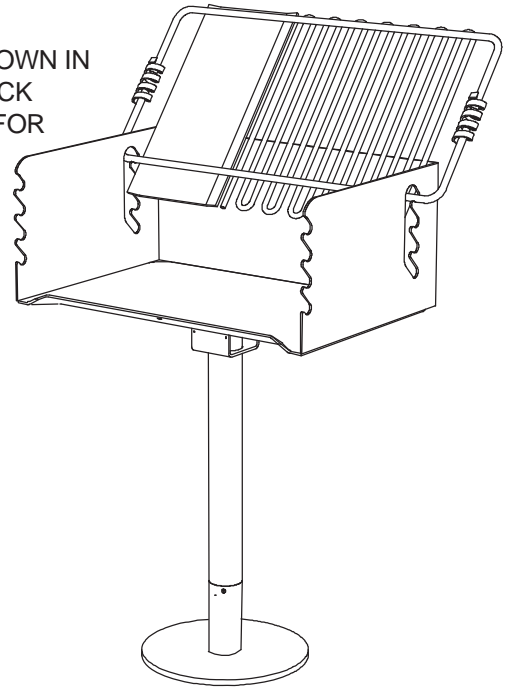
RJ Thomas Mfg. Co., Inc.

PO Box 946 · Cherokee, IA 51012-0946 · PH: 712-225-5115 · 800-762-5002 · FAX: 712-225-5796

E-mail: customerservice@rjthomas.com

© 2014 RJ Thomas Mfg. Co., Inc.

GRATE SHOWN IN
TIPPED BACK
POSITION FOR
CLEANING



NOTE:
LOCAL SOIL CONDITIONS MAY
REQUIRE A LARGER FOOTING

ALL DIMENSIONS IN INCHES

RJThomas
Mfg. Co., Inc.
P.O. Box 946
Cherokee, IA 51012

TITLE MODEL CBP-247 BACKYARD GRILL WITH B6X2 BASE

DRAWN BY	WWM
DATE	1-17-14
DWG. NO.	AI-2056