



*Model ULT/B-3 48" Embedded Mount Utility Table*

- **3/16" steel plate top**
- **Two 6" steel channel posts**
- **Flanged sides keep work on table and offer a safe front edge**

## SPECIFICATIONS:

- **ULT Series** Utility Table is a two piece construction of a 3/16" steel plate top supported by two 6" x 1.920" steel channel post embedded 18" into a concrete footing to provide a 32" (nom.) working height.
- Table top is die-formed to provide 1-3/4" flanges bent upward on one long side and two short sides to keep work on the table, and downward on one long side to provide a safe blunt edge. The corners are clipped to provide an opening for drainage and ease of cleaning.
- **Model ULT-3** is 30" deep x 48" wide (nom.).
- The entire table is finished in high heat black enamel paint (indicated by "/B" in model no., e.g. ULT/B-3).
- All fasteners provided for assembly.
- **Optional:** Table is provided with two surface mount posts in place of embedded mount posts. Surface mount posts have welded-on 3/8" x 10" x 10" square steel base plates with 25/32" dia. holes in each corner for anchoring to solid surfaces (anchors not included). (To specify add "/P" after ULT in model no. e.g., ULT/P/B-3.)

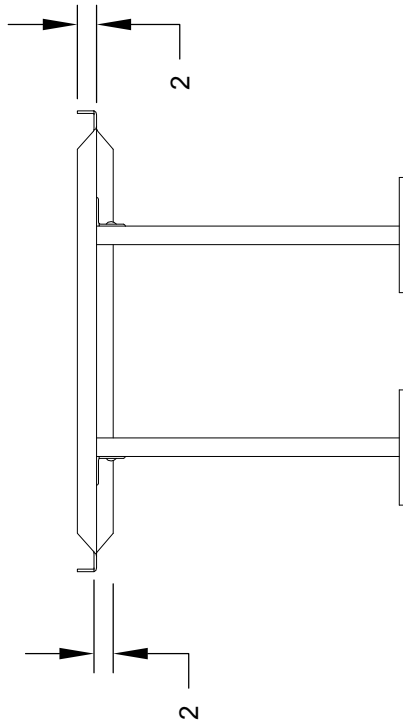
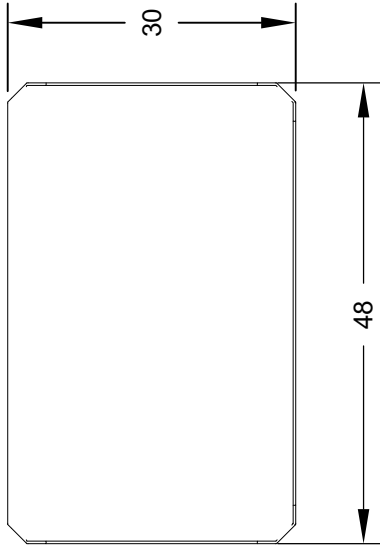
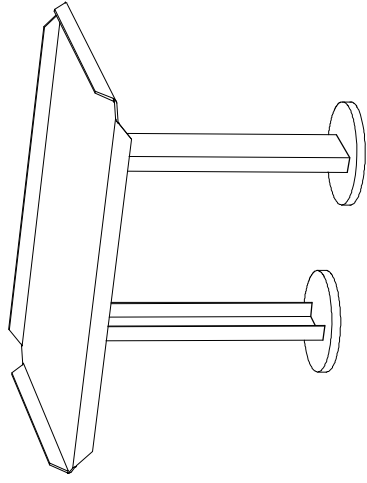
## AVAILABLE OPTIONS

Base plate for surface mounting

**RJ Thomas Mfg. Co., Inc.**

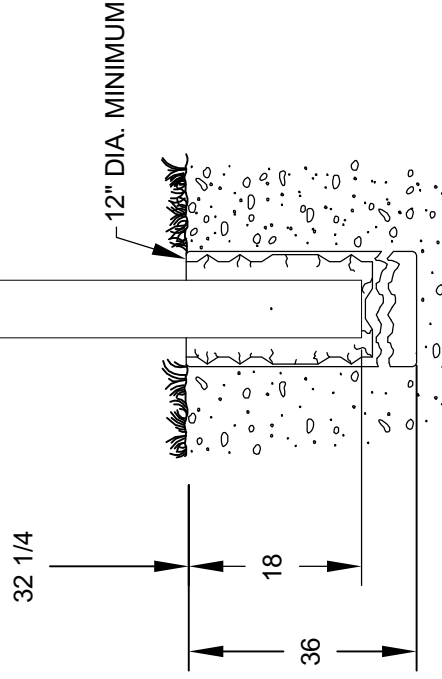
PO Box 946 • Cherokee, IA 51012-0946 • PH: 712-225-5115 • 800-762-5002 • FAX: 712-225-5796  
E-mail: [pilotrock@rjthomas.com](mailto:pilotrock@rjthomas.com) • Web Site: <http://www.pilotrock.com>

© 2012 RJ Thomas Mfg. Co., Inc. PILOT ROCK<sup>®</sup> Park Products is a registered trademark of RJ Thomas Mfg. Co., Inc.



OPTIONAL SURFACE MOUNT BASE PLATE

NOTE:  
LOCAL SOIL CONDITIONS MAY REQUIRE A LARGER FOOTING (CHECK LOCAL CODES)



ALL DIMENSIONS IN INCHES

ALL DIMENSIONS IN INCHES

**RJ Thomas Mfg. Co., Inc.**  
P.O. Box 946 • Cherokee, IA 51012-0946

DRAWN BY  
**WWM**

TITLE MODEL ULT3 UTILITY TABLE WITH EMBEDDED MOUNT

DATE 8-19-13

DWG. NO. **AI-1777**