

MODEL K-20 MULTILEVEL PARK GRILL



Model K-20/S B2 Grill with Optional Utility Back Shelf

- **Grate tips out of the way for fire building and cleaning**
- **Grate is permanently attached to the grill with retainer bars**
- **Four cooking height levels**
- **Grate supported at four points on three sides of the firebox**
- **Integral ash retainer flange combats heat warpage and prevents ashes from falling from the firebox**
- **Theft-proof base attachment**
- **Full 360° rotation for draft control**
- **Public use-type spring grips of coiled steel bar**
- **Economic design, quality construction**

AVAILABLE OPTIONS

Hot Plate Grate
Back Utility Shelf
Portable Disk Base
Bolt-down Base Plate Base
Grill Cover
Swivel Shelf

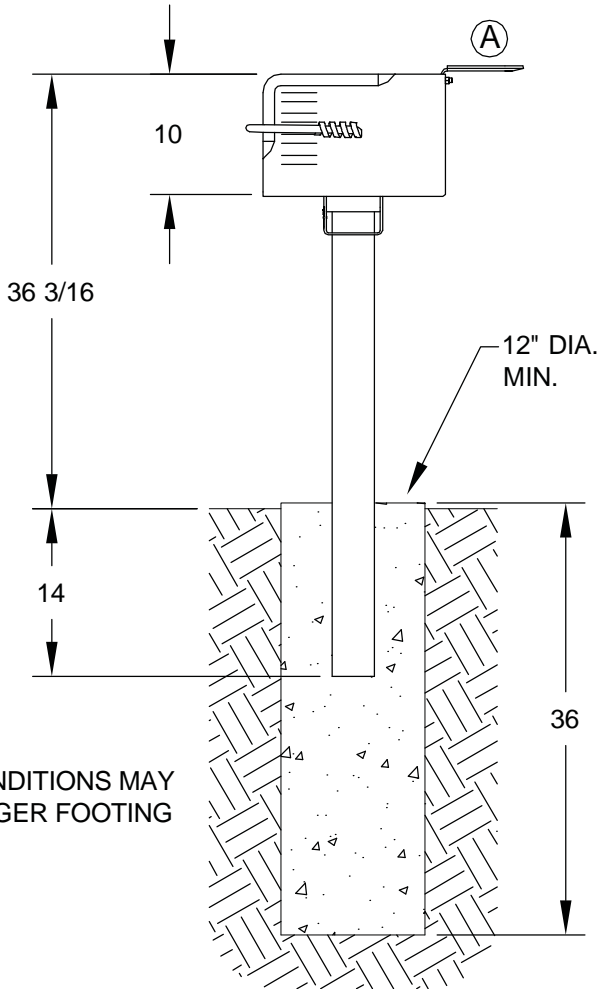
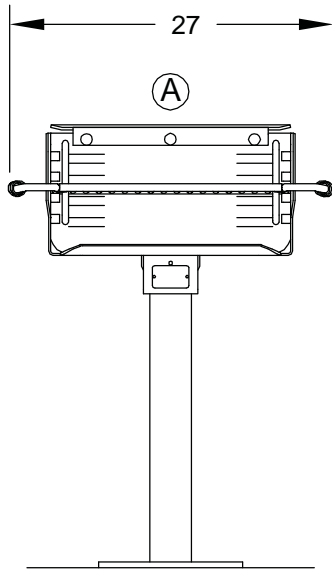
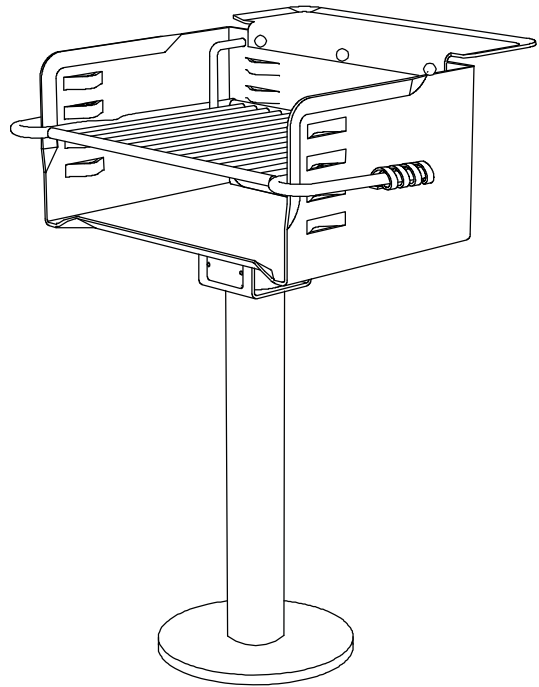
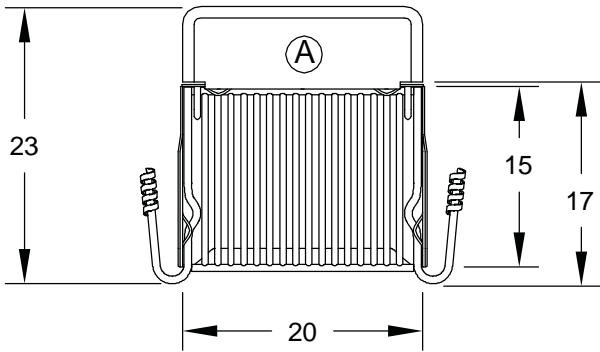
SPECIFICATIONS:

- **Model K-20 B2** has a 300 sq. in. grate that adjusts to 4 levels in a 15" x 20" firebox with 10" sides.
- Firebox and swivel mechanism are constructed entirely of 3/16" steel plate with integral ash flange die-formed into front edge of firebox to retain ashes and provide reinforcement. All exposed corners are rounded to 1-1/2" radius and all edge connections are entirely welded. Allowance for drainage is provided.
- Removal of grate from firebox is prevented by 2 steel retainer bars that allow grate to tip vertically for cleaning or fire building and prevent grate from falling into ashes.
- Grate is constructed from 5/8" dia. A-36 steel bar around the perimeter and handles and 1/2" dia. A-36 steel bars to provide the grate surface.
- Grate is provided with two substantially constructed spring coil grips suitable for public use made from 1/8" x 1/2" steel flat bar (not wire springs).
- Grill are permanently attached after base installation by means of absolutely theft-proof base attachment allowing continuous rotation of grill in either direction.
- **Standard:** Grill is supported by a 3-1/2" O.D., 40" long, steel pipe for permanent installation in concrete footing (indicated by "**B2**" in model no., e.g. K-20 **B2**).
- Entire unit is finished in high temperature, nontoxic black enamel.
- **Optional:** Grill is provided with a 3/16" x 7" x 19-1/4" steel plate utility shelf. (Add "/S" to model no., e.g. K-20/S B2.)
- **Optional:** Cook grate includes 3/16" x 8" x 15" welded-in steel hot plate (in place of standard grate bars) on one side of the grate. Add "/HP" to model no., e.g. K-20/HP B2.
- **Optional:** Grill is provided with a bolt-down base plate base for hard surface mounting applications. Replace "**B2**" in model no. with "**B3**", e.g. K-20 **B3**.
- **Optional:** Grill is provided with a portable disc base. Replace "**B2**" in model no. with "**B4**", e.g. K-20 **B4**.
- **Optional:** A rear hinged Grill Cover is a 21" x 15-1/2" x 5" canopy with enclosed ends constructed of formed and welded 14 ga. steel. Two 3/8" carriage bolts with locking nuts act as the hinge points. A handle constructed of a 1/8" x 1/2" coil spring grip and 1/2" dia. steel bars attached to one side of the cover. Finished in high temperature, nontoxic black enamel. Cover can not be used with optional shelf. Indicate choice by adding "/GC" to model no., e.g. K-20/GC B2.
- **Optional: Model S6** 8" x 16" swivel shelf is available as an additional item. Shelf must be installed on base post before grill.

RJ Thomas Mfg. Co., Inc.

PO Box 946 • Cherokee, IA 51012-0946 • PH: 712-225-5115 • 800-762-5002 • FAX: 712-225-5796
E-mail: pilotrock@rjthomas.com • Web Site: <http://www.pilotrock.com>

© 2019 RJ Thomas Mfg. Co., Inc. PILOT ROCK® Park Products is a registered trademark of RJ Thomas Mfg. Co., Inc.



(A) OPTIONAL UTILITY SHELF - ADD /S TO MODEL NUMBER

NOTE:
LOCAL SOIL CONDITIONS MAY
REQUIRE A LARGER FOOTING

ALL DIMENSIONS IN INCHES

RJThomas
Mfg. Co., Inc.
P.O. Box 946
Cherokee, IA 51012

TITLE **MODEL K-20 PARK GRILL WITH B2 BASE - SHOWN WITH
OPTIONAL UTILITY SHELF**

DRAWN BY	WWM
DATE	10-26-08
DWG. NO.	AI-1195