



**Model PCXB/G-8HR12** Surface Mount Bench  
with hot-dip galvanized frames, 8 ft. long with 12" (nom.) wide  
red H-Type thermo-plastic coated perforated steel seat and back.

- **Extra heavy design to be stronger and more stable with a simple, clean style**
- **Sturdy, formed and welded steel frame construction**
- **Frames are Hot-Dip Galvanized after fabrication for superior corrosion resistance**
- **Thermo-plastic Coating heat fused to Perforated Steel Seat and Back for durability**
- **Thermo-plastic Coating formulated with U.V. stabilizers for ultraviolet protection**
- **Quality construction throughout**

#### **AVAILABLE OPTIONS**

- 4', 6', or 8' models
- Powder Coat Finish in choice of colors for steel frame components
- Choice of colors of Thermo-plastic Coating
- 10" or 12" seat and back width
- Armrests

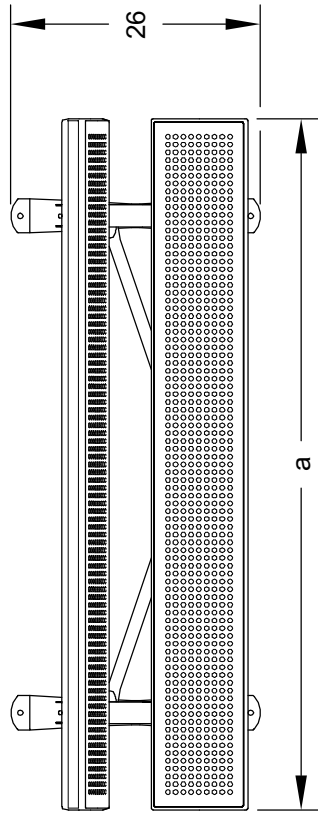
#### **SPECIFICATIONS:**

- **Model PCXB** end frames are one-piece, welded construction with a back and seat bracket of 2-3/8" x 1-1/2" x 1/8" nominal sized, die-formed channel, and a 2.375" (2-3/8") O.D. post and foot to meet 2" nominal steel pipe size specifications. Frame foot is formed with flattened and rounded ends. A 9/16" hole is provided in each end of foot for optional surface mounting with concrete anchors (anchors not included).
- **Model PCXB/G-4** is 4 ft. long (nom.).
- **Model PCXB/G-6** is 6 ft. long (nom.) with diagonal braces.
- **Model PCXB/G-8** is 8 ft. long (nom.) with diagonal braces.
- **Standard:** All steel frame components hot-dip galvanized after fabrication to ASTM-A123 to maintain an average zinc coating of 2.0 oz. per sq. ft. of surface area (indicated by "/G" in model no., e.g. PCXB/G-4HW12).
- **H-Type** seat and back are each a one-piece welded construction, fabricated from a 14 ga. perforated steel surface with 9/16" dia. holes in a 13/16" center to center in-line pattern and 2-1/2" x 10 ga. roll-formed vertical edges on all sides reinforced by a 10 ga. die-formed angle substructure. Substructure includes all mounting holes for easy assembly of bench.
- **Standard:** All steel surfaces of the seat and back are covered with a thermo-plastic coating in a Brown color (indicated by "HW" in model no., e.g. PCXB/G-4HW12). The UV-stabilized thermo-plastic coating is applied in a multi step process of material preparation and finish application designed to permanently heat fuse and bond the finish to the steel. The thermo-plastic polyethylene finish is impact resistant, does not support mold or mildew, and the textured matte surface is less susceptible to marring and scuffing.
- All fasteners are provided for assembly.
- **Optional:** Color choices of powder coated steel frame components. For optional colors choices see Specification Bulletin #SPC-CO-001.
- **Optional:** Color choices of Thermo-plastic coated steel components. For optional colors choices see Specification Bulletin #SPC-CO-001.
- **Optional:** Seat and back shall each be a 10" wide one-piece welded construction with 10 ga. x 2-1/2" (2" on 4 ft. models) roll-formed vertical edges on all sides. Indicate choice by changing "12" in model no. to "10", e.g. PCXB/G-4HW10.

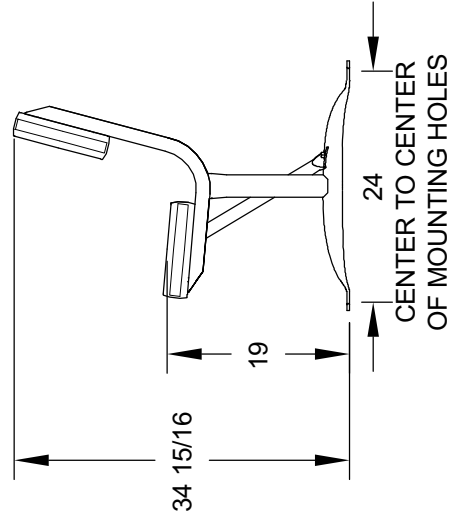
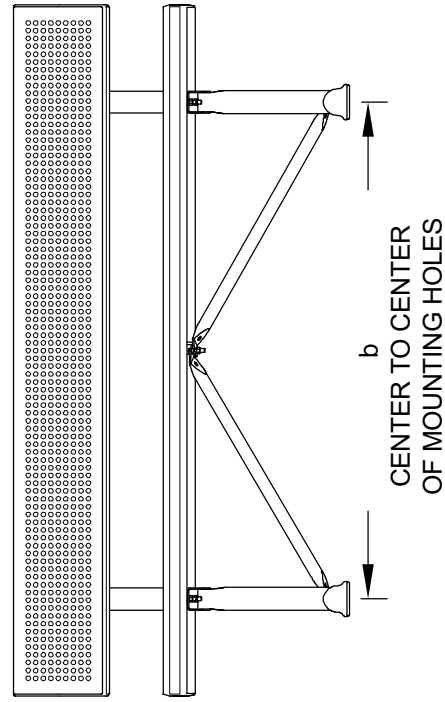
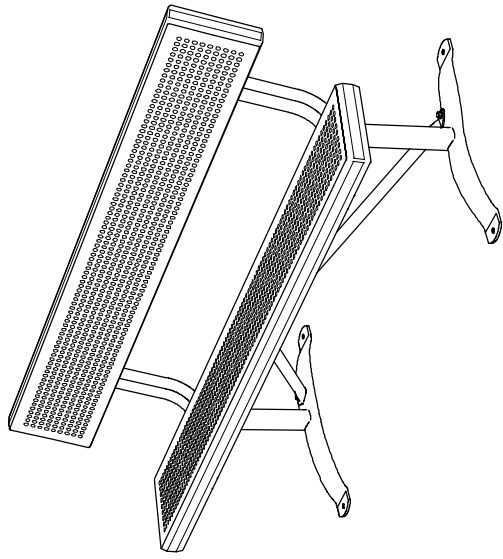
**RJ Thomas Mfg. Co., Inc.**

PO Box 946 • Cherokee, IA 51012-0946 • PH: 712-225-5115 • 800-762-5002 • FAX: 712-225-5796  
E-mail: pilotrock@rjthomas.com • Web Site: <http://www.pilotrock.com>

© 2008 RJ Thomas Mfg. Co., Inc. PILOT ROCK® Park Products is a registered trademark of RJ Thomas Mfg. Co., Inc.



| MODEL NUMBER | DIMENSION |        |    |
|--------------|-----------|--------|----|
|              | a         | b      | c  |
| PCXB-4-10    | 44        | 30     | 35 |
| PCXB-6-10    | 72        | 51-3/4 | 35 |
| PCXB-8-10    | 96        | 70     | 35 |
| PCXB-4-12    | 48        | 36     | 36 |
| PCXB-6-12    | 72        | 51-3/4 | 36 |
| PCXB-8-12    | 96        | 70     | 36 |



ALL DIMENSIONS IN INCHES

**RJ Thomas Mfg. Co., Inc.**  
 P.O. Box 946 • Cherokee, IA 51012-0946

DRAWN BY  
**WWM**

TITLE MODEL PCXB EXTRA HEAVY DUTY 4, 6 AND 8 FOOT PORTABLE/SURFACE MOUNT  
 BENCH WITH H-TYPE THERMO-PLASTIC COATED  
 PERFORATED STEEL SEAT AND BACK

DATE 5-12-11

DWG. NO.

**AI-1643**