



Model RA3/G-PN 3-module recycling array, green recycled plastic post and slats, hot dip galvanized hardware. Shown with optional **Model TG-24** recycling lid and lid decals.

- **Two- or Three-receptacle systems available**
- **32 gallon capacity**
- **Welded Steel Frame Ring Fabrication**
- **100% Recycled Plastic slats with solid color and U.V. stabilizer for ultraviolet protection**
- **Large choice of colors, lids, liners**

CAN AND LINER OPTIONS

- Model CNG-2310CL:** Regular-duty, 31 gal. capacity, galvanized steel can with lid
- Model CN/B-1827:** 36 gal. capacity, heavy-duty, rigid plastic liner
- Model CN-4132C:** 30 gal. capacity, plastic liner

SPECIFICATIONS:

- **Model RA Series** recycling arrays are a module design of two or three Pilot Rock® TRH-32 receptacle holders mounted to a center post to provide a convenient way to collect sorted recyclable materials.
- Model TRH-32 frames are a set of two welded rings. Top ring is constructed from 10 ga. x 2-3/8" formed steel angle rolled, flanged inward, to a 22-5/32" I.D. circular ring. Base ring is constructed from 10 ga. x 2" formed steel angle rolled, flanged outward, to a 22-7/16" I.D. circular ring, reinforced with die-formed cross braces of 10 ga. x 2" steel bar.
- **Standard:** Slats are made of 100% Recycled Plastic molded into 1" x 4" nominal sized planks with solid Brown color (indicated by "PW" in model no., e.g. RA2/G-PW) formed throughout and a U.V. stabilizer added for ultraviolet protection. All slats are precision drilled for assembly.
- Center post is a Brown (indicated by "PW" in model no., e.g. RA2/G-PW) 4" x 4" square molded 100% recycled plastic timber designed to be embedded 17-7/8" into a concrete footing. Height after embedding in 54-1/2"
- TRH receptacles are mounted to the post using a galvanized 10 ga. steel bracket and recycled plastic spacer blocks.
- A wrap-around recycling decal helps identify the use of the array. Optional decals specifying recyclable materials are available for lids, please inquire.
- All fasteners are provided for assembly.
- **Standard:** Rings are hot-dip galvanized after fabrication to ASTM-A123 to maintain an average zinc coating of 2.0 oz. per sq. ft. of surface area (indicated by "/G" in model no., e.g. RA2/G-PW).
- **Optional:** All steel frame components have powder coat finish. See Specification Bulletin #SPC-CO-001.
- **Optional:** Color choices of Recycled Plastic components. See Specification Bulletin #SPC-CO-001.

LID OPTIONS

- **Model CN-PD/◆-24PC1** Pilot Rock Plastic Dome Recycling Lid
- **Model T◆-24PC** Series Flat Steel Recycling Lids with 3", 4-3/8", or 5-7/8" dia. opening
- **Model T/◆-246** Recycling Lid, flat, Plastisol Coated Steel with 5-3/4" dia. opening
- **Model CN-PR/◆-24PC** Series Recycled Plastic Flat Lids with 3", 4-3/8", or 5-7/8" dia. opening.
- **Model CN/N-3031PS** Green molded plastic canopy recycling lid with 2" x 7-1/2" slotted opening
- **Model CN/N-3031PC1** Green molded plastic canopy recycling lid with 3" dia. opening
- **Model CN/N-3031PC5** Green molded plastic canopy recycling lid with 4-3/8" dia. opening
- **Optional:** A variety of other steel and plastic dome and flat lids are available to collect trash

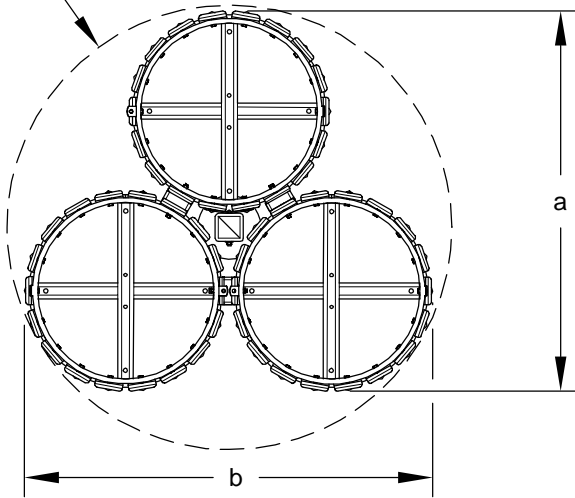
◆ Indicates choice of finish or color — Inquire for specific model options

RJThomas Mfg. Co., Inc.

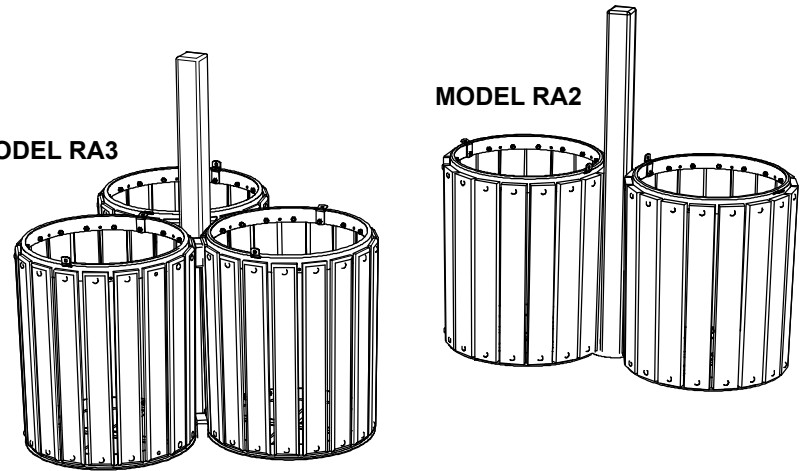
PO Box 946 • Cherokee, IA 51012-0946 • PH: 712-225-5115 • 800-762-5002 • FAX: 712-225-5796
 E-mail: pilotrock@rjthomas.com • Web Site: <http://www.pilotrock.com>

© 2008 RJThomas Mfg. Co., Inc. PILOT ROCK® Park Products is a registered trademark of RJThomas Mfg. Co., Inc.

55 3/4 INCH DIA.
FOOTPRINT

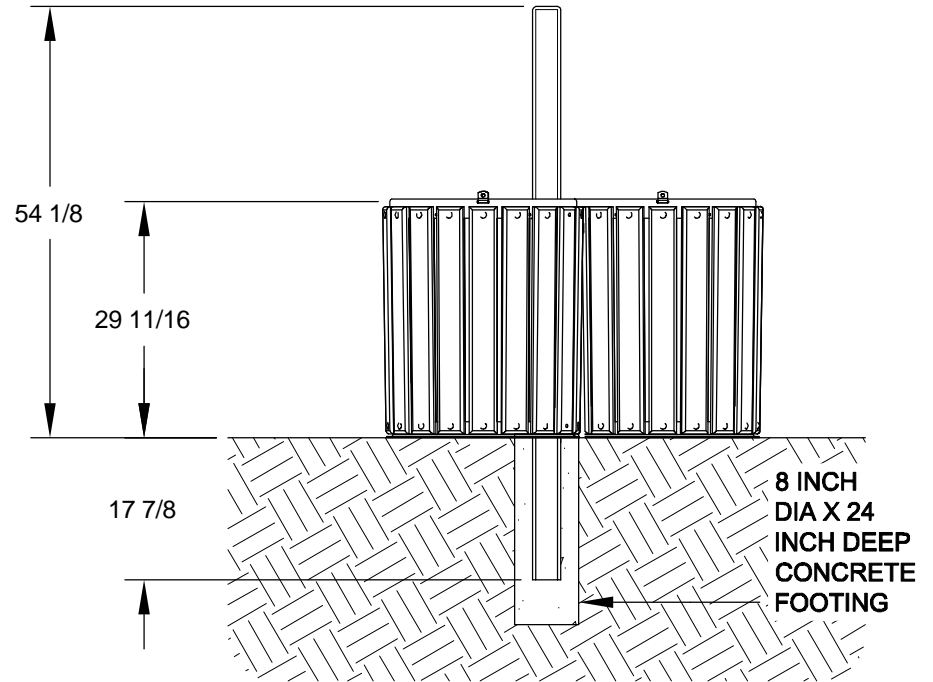
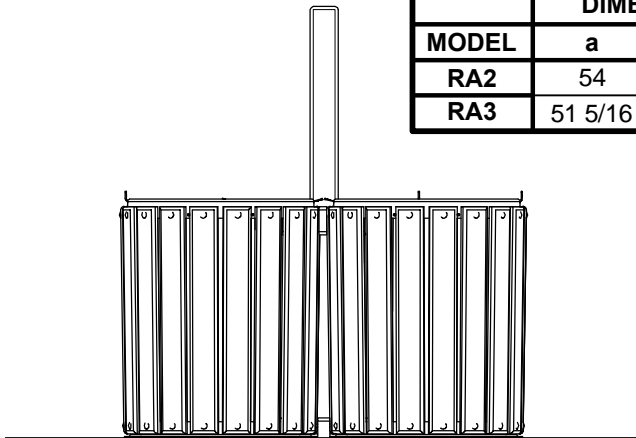


MODEL RA3



MODEL RA2

MODEL	DIMENSION	
	a	b
RA2	54	25
RA3	51 5/16	47 11/16



ALL DIMENSIONS IN INCHES

RJThomas Mfg. Co., Inc.
P.O. Box 946 • Cherokee, IA 51012-0946

DRAWN BY
WWM

TITLE RA SERIES TWO AND THREE MODULE RECYCLING ARRAYS WITH RECYCLED
PLASTIC POST AND SLATS

DATE 4-07-09

DWG. NO. AI-1882