



*Model ASW-20 B2 Grill with Optional S6 Swivel Utility Shelf*

- **Swivel cooking grate rotates 180 degrees from over fire with less than five pounds of force**
- **Cooking grate is less than 34" high**
- **Meets ADA Guidelines for access, reach, and operability**
- **Integral ash retainer flange prevents ashes from falling from the firebox and combats heat warpage along with die-formed side panel flares**
- **Theft-proof base attachment**
- **Full 360° rotation of firebox for draft control**
- **Public use-type grip of coiled steel bar**
- **Swivel utility shelf option**
- **Quality construction throughout**

## **SPECIFICATIONS:**

- **Model ASW-20 B2** has a cooking area of 300 sq. in. with one grate and a 15-1/4" x 20" firebox with a 6" high side wall and a 10" high side wall.
- This grill meets ADA guidelines for operation of less than 5 lbs. of force with one hand to rotate the grate, and dimensional requirements that the cooking grate be less than 34" above the ground surface.
- Entire firebox is fabricated from 3/16" steel plate. All exposed corners are rounded to 1-1/2" radius and all edge connections are entirely welded. Firebox has an integral ash retainer die-formed across the front of the box and allowance for drainage is provided.
- The single level, 300 sq. in. cooking grate is constructed from 1/2" dia. A-36 steel bars around the perimeter, 5/8" dia. A-36 steel bar for the handle, and 1/2" dia. A-36 steel bar for the grate bars. All grate bars are welded on both sides.
- Grate is provided with a substantially constructed spring grip suitable for public use made from 1/8" x 1/2" flat bar (not wire springs).
- Grate is mounted on a 2-3/8" OD tube allowing it to rotate on a horizontal plane out of the grill. Two welded-on stops limit rotation to 180° to prevent the handle entering the area over the fire.
- A base attachment mechanism constructed from 3/16" steel plate is provided that is absolutely theft-proof, allows unrestrained continuous rotation in either direction and maintains a stable cooking surface.
- **Standard:** Grill shall be supported by a 3-1/2" O.D., 40" long, steel pipe for permanent installation in concrete footing (indicated by "B2" in model no., e.g. ASW-20 B2).
- Entire unit is finished in high temperature, heat resistant, nontoxic black enamel.
- **Optional:** Grill shall be provided with a bolt-down base plate base for hard surface mounting applications. Replace "B2" in model no. with "B18", e.g. ASW-20 B18.
- **Optional: Model S6** 8" x 16" swivel shelf is available as an additional item. Shelf must be installed on base post before grill.

## **AVAILABLE OPTIONS**

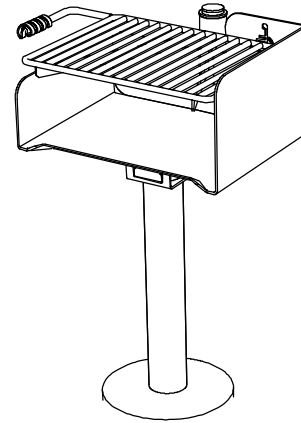
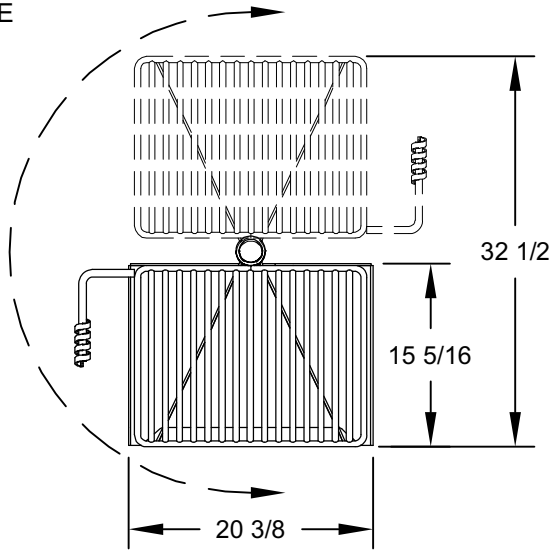
- B18 Bolt-down Base Plate Base**
- S6 Swivel Shelf**

**RJ Thomas Mfg. Co., Inc.**

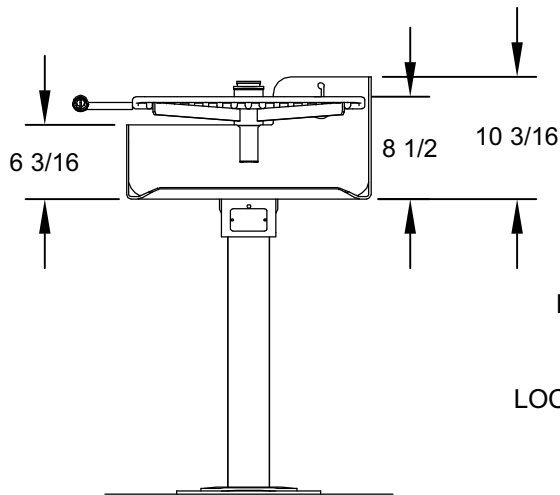
PO Box 946 • Cherokee, IA 51012-0946 • PH: 712-225-5115 • 800-762-5002 • FAX: 712-225-5796  
E-mail: pilotrock@rjthomas.com • Web Site: <http://www.pilotrock.com>

© 2013 RJ Thomas Mfg. Co., Inc. PILOT ROCK® Park Products is a registered trademark of RJ Thomas Mfg. Co., Inc.

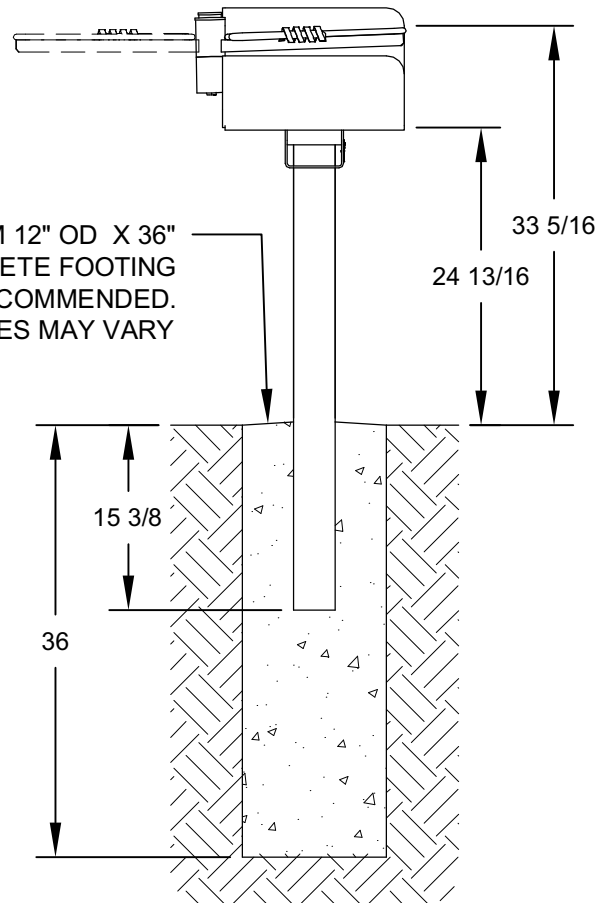
GRATE ROTATES 180° FROM  
OVER FIRE WITH 5 LBS. OF  
FORCE. HANDLE IS NEVER  
OVER FIRE



STANDARD B2 EMBEDDED POST  
INSTALLATION



OPTIONAL B18 SURFACE MOUNT  
INSTALLATION



STANDARD B2 EMBEDDED POST  
INSTALLATION

ALL DIMENSIONS IN INCHES

**RJThomas**  
**Mfg. Co., Inc.**  
P.O. Box 946  
Cherokee, IA 51012

TITLE MODEL ASW-20 B2 ACCESSIBLE PARK GRILL WITH B2  
EMBEDDED MOUNT BASE

DRAWN BY WWM

DATE 2-29-12

DWG. NO. AI-2013