

Model BPR2-72 and BPR3-108 Multiple Module Bear Proof Trash and Recycling Receptacle



Model BPR2/CN-72
 Two Module Bear Proof
 Trash Receptacle with green
 textured powder coat finish.



Model BPR2/CN-72
 Two Module Bear Proof
 Trash Receptacle, front
 access door open, 36 gal.
 rigid plastic liners.



Model BPR3/CB-108
 Module Bear Proof Trash
 Receptacle with black
 textured powder coat finish.

- **14 ga. and 7 ga. steel construction**
- **Tight fitting door and lids, covered lid and door latches, and smooth round design prevent bears from getting a grip**
- **Reinforced door on full-length hinge**
- **Lids and door are self-latching**
- **Includes rigid plastic liners and anchor kit**
- **Optional recycling insert plates and decals**

AVAILABLE OPTIONS

Choice of colors of textured powder coat finish
Recycling insert plate with choice of three sizes of hole

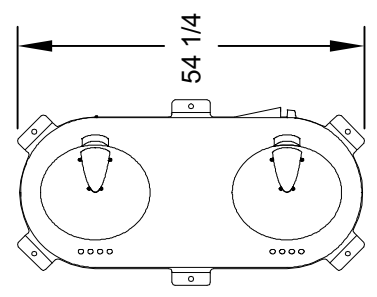
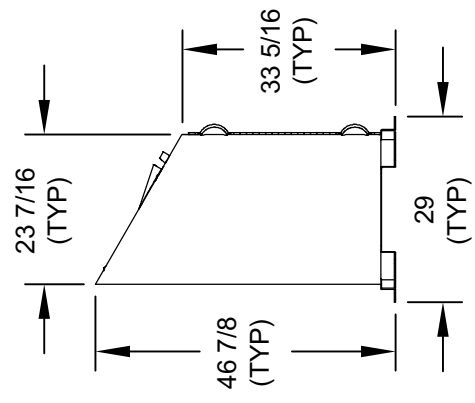
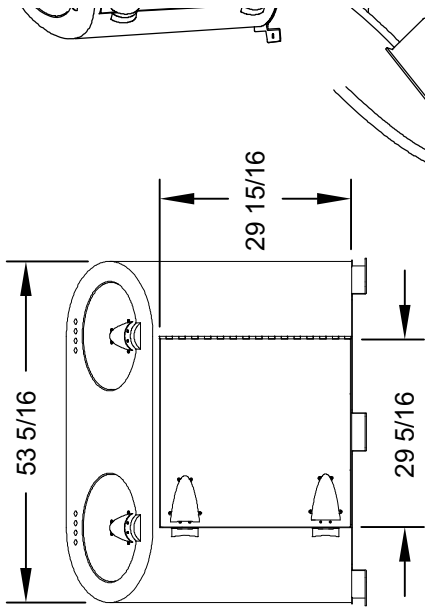
SPECIFICATIONS:

- **BPR Series** Bear Proof Trash Receptacle is designed and tested to keep bears out of your trash.
- **Model BPR2-72** has two hatches and one front door and holds two included 36 gallon rigid liners. Dimensions: 54-1/4" wide, 46-7/8" tall, 24-3/8" deep.
- **Model BPR3-108** has three hatches and one front door and holds three included 36 gallon rigid liners. Dimensions: 68-1/4" wide, 46-7/8" tall, 24-3/8" deep..
- Receptacle meets ADA guidelines for forward and side reach.
- The receptacle features tightly fitted, self-closing hatches for depositing trash, and a front access door for removing the liners.
- Welded construction of 14 ga. formed steel shell with cylindrical ends, reinforced with 1" x 1"x 18 ga. wall square tubing supports, welded to a 7 ga. base with six 25/32" dia holes for anchors. Anchor kit #ANC5-6 (six 1/2" x 5" concrete screw anchors) is included. Receptacle must be anchored to be Bear Proof.
- Top is sloped for easy access to the 16" dia. hatch openings. The hatch is secured by a hinge and a self-closing commercial duty latch, mounted under a formed steel guard designed to fit human hands, not bear paws. Access for bears is also blocked by a raised obstacle built into the top of the receptacle. A plastic trim ring seals the lid and covers the steel edge.
- The front door is 30" tall x 29-5/16" wide for easy access to liners. Door is 14 ga. steel mounted on a full length continuous hinge. Two self-closing latches secure the door at the top and bottom.
- Entire unit is finished in textured Brown powder coat paint.
- 36 gallon rigid plastic liners for each module are included.
- Trash or recycling decals are included, green on white vinyl self-adhesive, choice of design. Please specify when ordering.
- **Optional:** Choices of colors of textured powder coat finish. Available in green or black.
- **Optional:** Recycling insert plates finished in powder coat black. Available sizes are:
 - **Model BPR PC1**, 3" Dia. hole.
 - **Model BPR PC5**, 4-3/8" Dia. hole.
 - **Model BPR PC6**, 5-7/8" Dia. hole.
- Our Bear Proof Trash and Recycling Receptacles have been successfully tested by the Living With Wildlife Foundation (LWWF) and the Grizzly and Wolf Discovery Center (GWDC) using the Interagency Grizzly Bear Committee (IGBC) protocol.

RJ Thomas Mfg. Co., Inc.

PO Box 946 • Cherokee, IA 51012-0946 • PH: 712-225-5115 • 800-762-5002 • FAX: 712-225-5796
 E-mail: pilotrock@rjthomas.com • Web Site: <http://www.pilotrock.com>

© 2012 RJ Thomas Mfg. Co., Inc. PILOT ROCK® Park Products is a registered trademark of RJ Thomas Mfg. Co., Inc.



DETAIL OF RECYCLING INSERT PLATE
 AVAILABLE WITH 3", 4 3/8" OR 5 7/8" DIA. HOLE

