



Model CN-OKR/CE-36 Oak Knoll steel trash receptacle, burgandy powder coat paint finish, with included plastic liner.

- **All welded steel heavy-duty construction**
- **Swing-out door brings liner out to be emptied**
- **Door supported by caster when open**
- **Decorative cast iron rosettes around top of receptacle complement Oak Knoll Series park benches**
- **Model with rain cover available**
- **Includes liner, padlock, and anchors**



Model CN-OKR-C/CA-36 Oak Knoll Trash Receptacle with optional welded on steel rain cover

AVAILABLE OPTIONS

- **Choice of color of powder coat finish**
- **Rain cover, welded on**

SPECIFICATIONS:

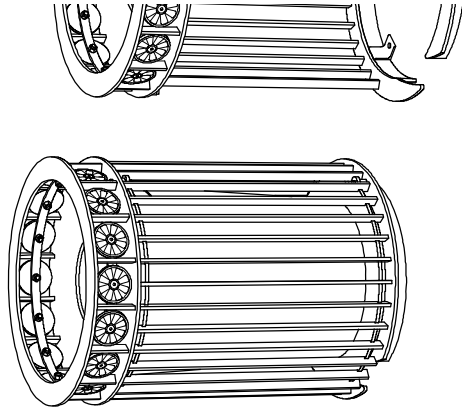
- **Oak Knoll Series** trash receptacle is an assembly of a welded steel main structure and a hinged swing-out door with a platform that carries the liner out of the receptacle when the door is open. This eliminates the need to slide the liner into the receptacle or lift it high enough to clear the top of the receptacle.
- Receptacle is constructed of 3/8" x 1" rectangular solid steel vertical bars welded to 3/8" thick steel rings forming the cylindrical structure. Includes a heavy duty rigid plastic 36 gal. liner. Plastic liner available in black only.
- Top of receptacle is a 2-1/2" wide x 3/8" thick x 27" OD flat ring, decorative cast iron rosettes distributed equally around the circumference, and a 3/8" thick x 27" OD steel plate with a 10" dia. centered hole for the depositing of trash.
- A 29-7/8" high door, one-half of the circumference of the receptacle, supports the liner on a 3/8" thick steel platform. The door structure is hinged on one side. The opening side of the door is supported by a heavy duty 3" dia. x 1-1/4" wide caster. A latch with provisions for a padlock secures the door when closed. Padlock is included.
- Four welded angle iron brackets inside the base of the unit provide 5/8" dia. holes for anchors to secure the unit to hard surfaces. Model #ANC3-4 anchor kit is provided.
- Entire steel unit is finished in black powder coat (indicated by "/CB" in model no., e.g. CN-OKR/CB-36).
- **Optional:** Color choices of powder coated steel components. For optional color choices see Specification Bulletin #SPC-CO-001.
- **Optional:** An alternate model with welded on heavy gauge steel rain cover. To specify, add "-C" after "OKR" in model no., e.g. CN-OKR-C/CB-36.



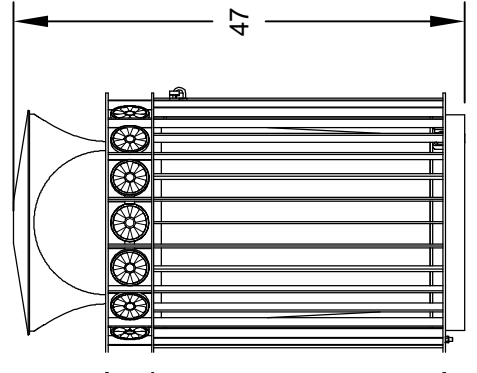
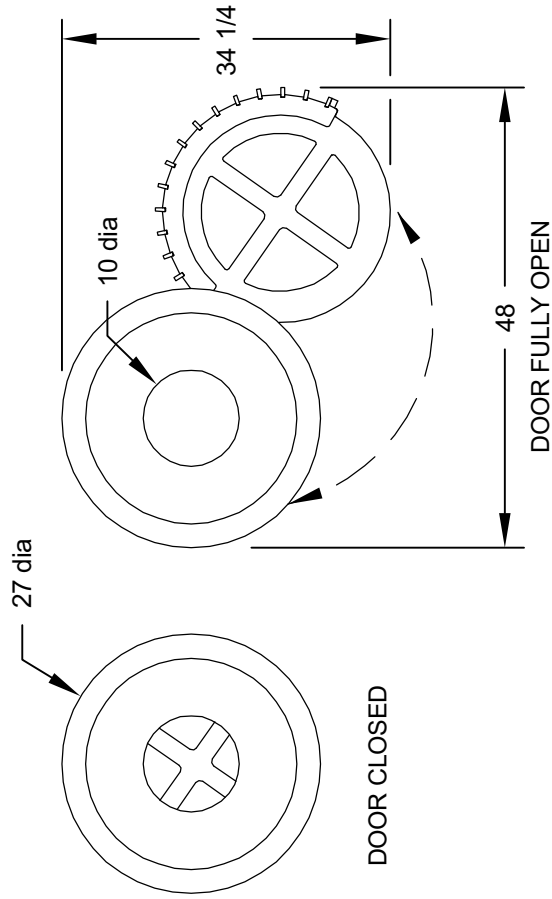
RJ Thomas Mfg. Co., Inc.

PO Box 946 • Cherokee, IA 51012-0946 • PH: 712-225-5115 • 800-762-5002 • FAX: 712-225-5796
E-mail: pilotrock@rjthomas.com • Web Site: <http://www.pilotrock.com>

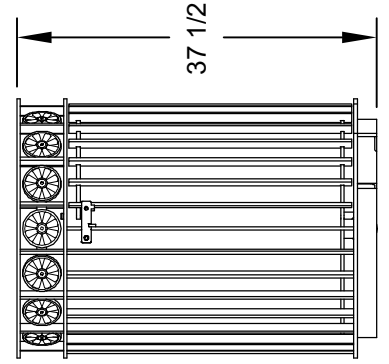
© 2008 RJ Thomas Mfg. Co., Inc. PILOT ROCK[®] Park Products is a registered trademark of RJ Thomas Mfg. Co., Inc.



— INCLUDED RIGID
— PLASTIC LINER



MODEL CN-OKR-C
WITH OPTIONAL RAIN COVER



MODEL CN-OKR

ALL DIMENSIONS IN INCHES