

Model CN-TR-52 Round Thermo-plastic Coated Perforated Steel Tilting Trash Receptacle Holder



Model CN-TR/P/CN-52RN Round Perforated Steel Tilting Trash Receptacle Holder for 52 gal. containers, Green Thermo-plastic coated receptacle with green powder coated surface mount frame.



Model CN-TR/CN-52RN Embedded Mount Round Perforated Steel Tilting Trash Receptacle Holder. Green thermo-plastic coated receptacle and green powder coated frame.

- Tilts 60° for easy unloading
- Embedded or surface mount
- 52 gallon capacity
- Welded Steel Fabrication
- Thermo-plastic coated receptacle, powder coated frame
- Unperforated band around receptacle for signage

OPTIONS

Embedded or surface mount
 Choice of colors of thermo-plastic and powder coating

SPECIFICATIONS:

- **Model CN-TR-52** is a 52 gal. capacity trash receptacle with all-welded construction, fabricated from a single piece of 14 ga. perforated steel formed into a cylindrical shape 23-7/16 O.D. x 22-7/8" I.D. x 30-3/4" high.
- The receptacle is reinforced with a 10 ga. top ring and a bottom pan with drainage.
- The receptacle is suspended between the legs of a one piece 2-3/8" OD steel pipe yoke frame at pivot points that allow the receptacle to tilt 60 degrees forward allowing easy removal of trash or recyclables. A trash bag can be used without a rigid liner. A spring-loaded locking pin secures the receptacle at the upright and tilted positions. Frame is designed to be embedded 13-1/8" into a concrete footing.
- **Standard:** All steel surfaces of the receptacle are covered with a thermo-plastic coating in a Brown color (indicated by "RW" in model no., e.g. CN-TR/CW-52RW). The UV-stabilized thermo-plastic coating is applied in a multi step process of material preparation and finish application designed to permanently heat fuse and bond the finish to the steel. The thermo-plastic polyethylene finish is impact resistant, does not support mold or mildew, and the textured matte surface is less susceptible to marring and scuffing.
- Solid band around basket provides area for decal signage.
- **Standard:** Frame is powder coated paint finish same color as receptacle (indicated by "CW" in model no., e.g. CN-TR/CW-52RW).
- **Optional:** Frame is provided with a 8" x 8" x 1/4" thick steel base plate welded to each leg (add "/P" after TR in model number, e.g. CN-TR/P/CW-52RW). Each plate has four 25/32" dia. holes for anchoring fasteners. Two ANC1-4 anchor kits are included.
- **Optional:** Color choices of thermo-plastic coated receptacle and powder coated frame. See Specification Bulletin #SPC-CO-001.

LID OPTIONS

Model CN-PD-24 Pilot Rock Plastic Dome Hatch Lids

Model CN-4455 Plastic Dome Hatch Lids

Model CN-SDR-24 Plastic Dome lid.

Model CN/G-5555 Galvanized Steel Dome Hatch Lid

T-24 Series Steel Flat Lids: 2 Trash Can Covers: with a spring-loaded 10" dia. hatch or without a hatch or 3 recycling lids with 3 sizes of center holes: 3" dia. hole, 4-3/8" dia. hole or 5-7/8" dia. hole

T-2410 Series Powder Coated Steel Flat Lids with 10" center hole in 3 styles: Flat, with rain cover, or with rain cover and ash tray.

Model T-246 Steel Flat Recycling Lid with thermo-plastic coating and 5-3/4" dia. center hole

Model CN/B-1825 Black Plastic Flat Lid with 10" center hole

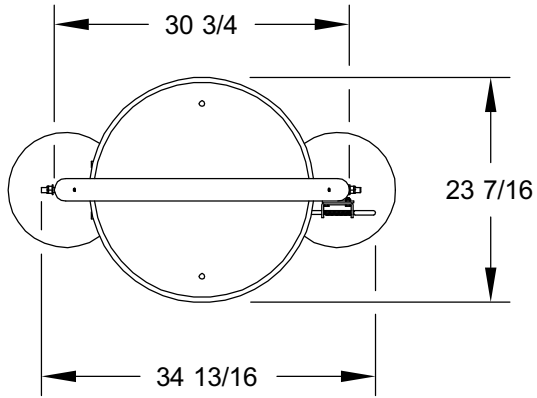
Model CN/B-3030 Black Plastic Canopy Lid with openings at each end

Model CN/N-3031 Green Plastic Canopy Lid with 3 sizes of center holes: 3" dia. hole, 4-3/8" dia. hole or 7-1/2" wide slot.

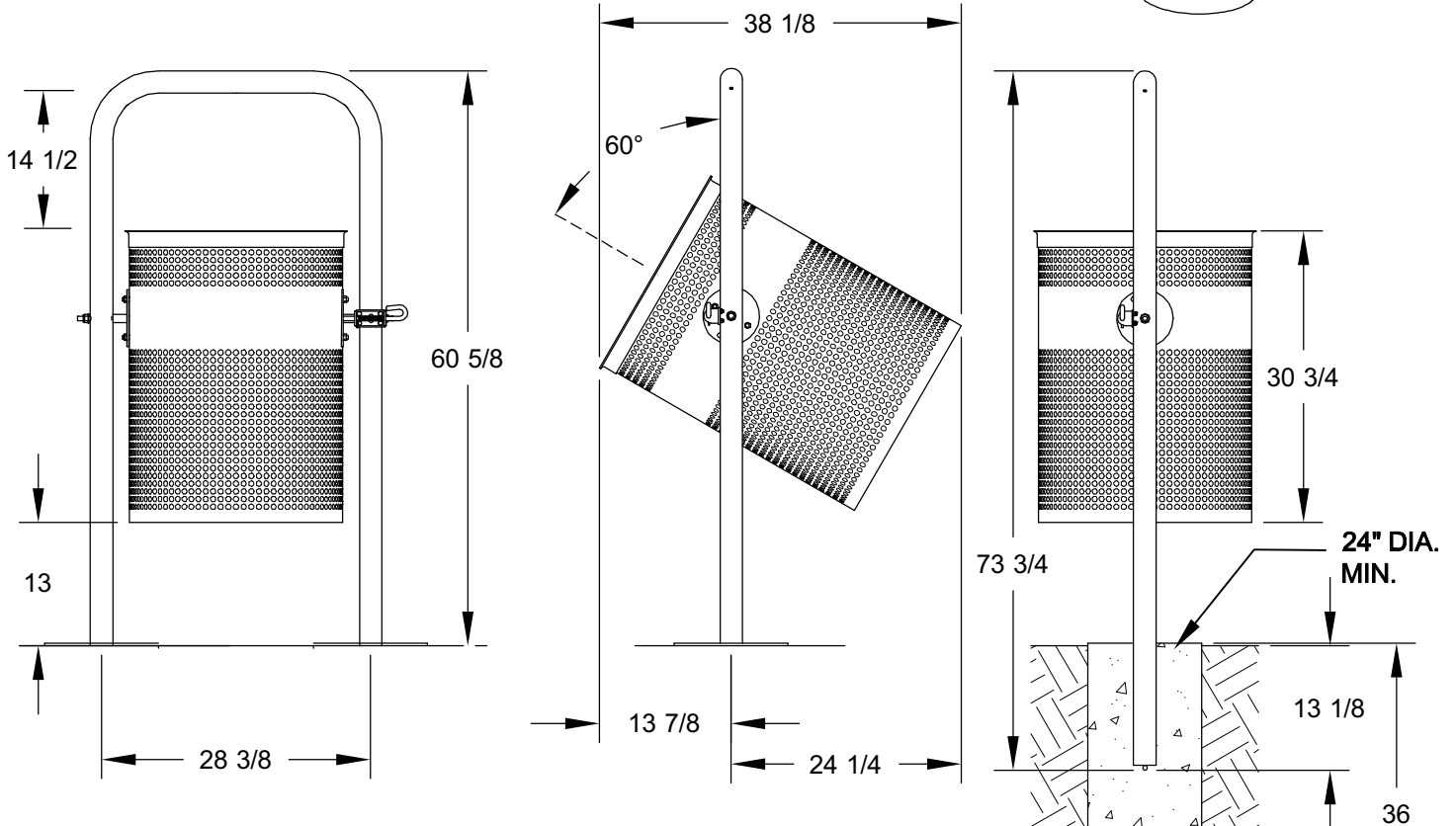
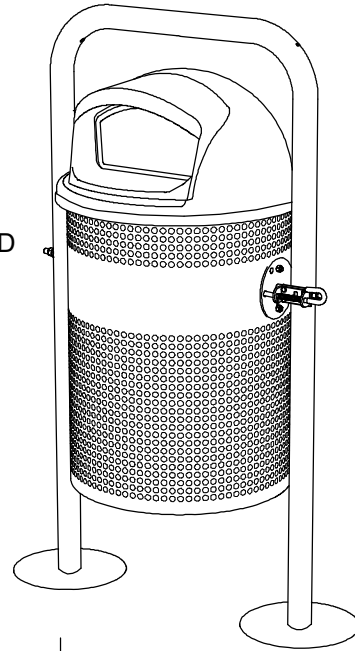
RJ Thomas Mfg. Co., Inc.

PO Box 946 • Cherokee, IA 51012-0946 • PH: 712-225-5115 • 800-762-5002 • FAX: 712-225-5796
 E-mail: pilotrock@rjthomas.com • Web Site: <http://www.pilotrock.com>

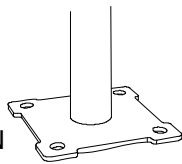
© 2008 RJ Thomas Mfg. Co., Inc. PILOT ROCK® Park Products is a registered trademark of RJ Thomas Mfg. Co., Inc.



CN-TR-52 SHOWN
WITH OPTIONAL
MODEL CN-PD-24
PLASTIC DOME LID



OPTIONAL
SURFACE
MOUNT BASE
PLATE
INSTALLATION
CN-TR/P-52



NOTE:
LOCAL SOIL CONDITIONS MAY
REQUIRE A LARGER FOOTING

ALL DIMENSIONS IN INCHES

RJThomas
Mfg. Co., Inc.
P.O. Box 946
Cherokee, IA 51012

TITLE **CN-TR-52 SERIES EMBEDDED MOUNT TILTING TRASH
RECEPTACLE**

DRAWN BY	WWM
DATE	3-29-11
DWG. NO.	AI-1983