

# 2024 RETAIL OUTDOOR RECREATIONAL PRODUCTS

- Firepit Inserts
- Charcoal Grills
- Campfire Rings
- Accessories



**RJ Thomas Mfg. Co., Inc.**

---

**Cherokee, IA • 1-800-762-5002**  
**customerservice@rjthomas.com**

*Prices effective Jan. 1, 2024*





# Model H-16 B6X2 Multilevel Park Grill

**SPECIFICATION  
BULLETIN**  
**#SPC-GR-039**  
REV. 12-14



Model H-16 B6X2 Grill

## FEATURES

- **Grate tips out of the way for fire building and cleaning**
- **Grate is permanently attached to the grill with retainer bars**
- **Four cooking height levels**
- **Grate supported at four points on three sides of the firebox**
- **Integral ash retainer flange combats heat warpage and prevents ashes from falling from the firebox**
- **Full 360° rotation for draft control**
- **Public use-type grips of coiled steel bar**
- **Economic design, quality construction**

## SPECIFICATIONS:

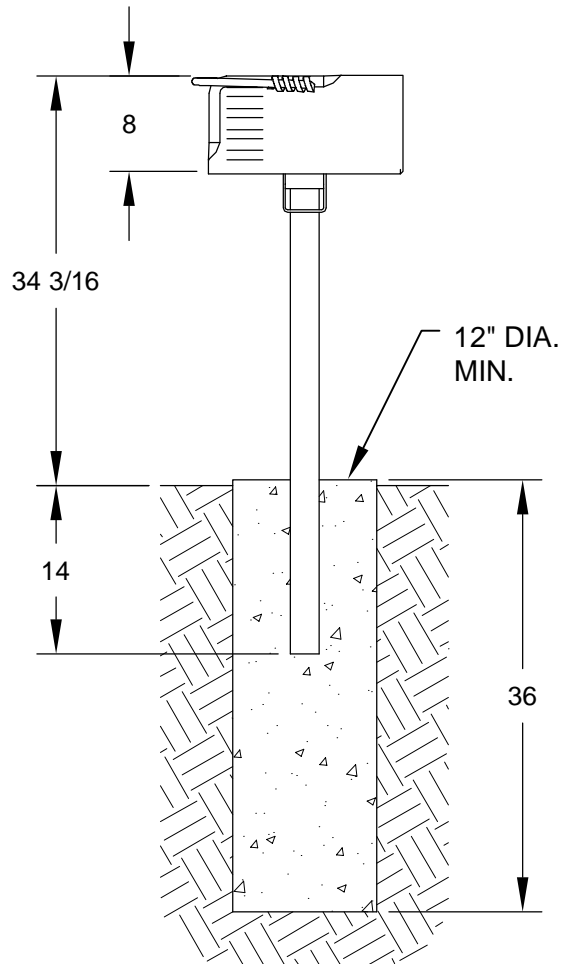
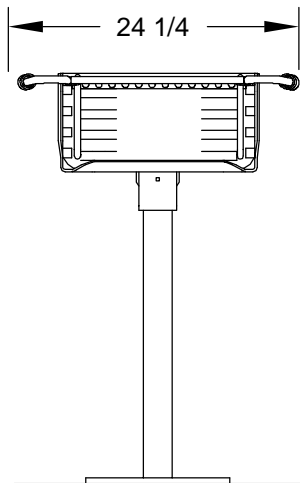
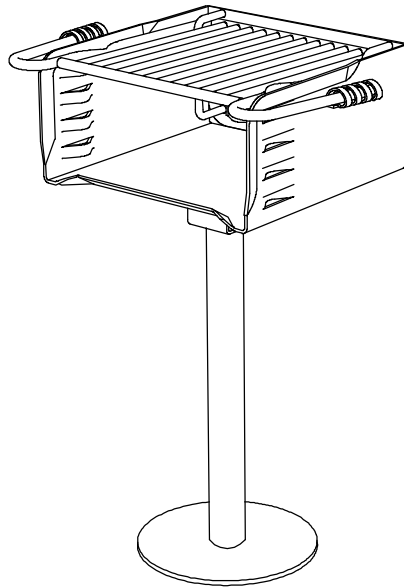
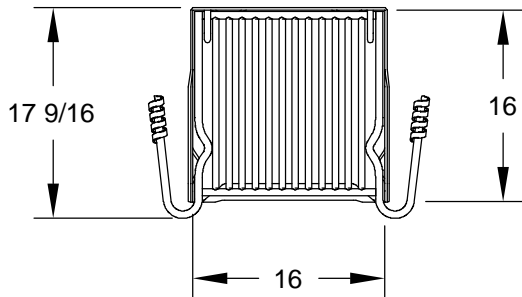
- **Model H-16 B6X2** has a 250 sq. in. grate that adjusts to 4 levels in a 16" x 16" firebox with 8" sides.
- Firebox and swivel mechanism are constructed entirely of 3/16" steel plate with integral ash flange die-formed into front edge of firebox to retain ashes and provide reinforcement. All exposed corners are rounded to 1-1/2" radius and all edge connections are entirely welded. Allowance for drainage is provided.
- Removal of grate from firebox is prevented by 2 steel retainer bars that allow grate to be tipped vertically for cleaning or fire building and prevent grate from falling into ashes.
- Grate is constructed from 5/8" dia. A-36 steel bar around the perimeter and handles and 1/2" dia. A-36 steel bars to provide the grate surface.
- Grate is provided with two substantially constructed spring coil grips suitable for public use made from 1/8" x 1/2" steel flat bar (not wire springs).
- Grill is permanently attached after base installation by means of absolutely theft-proof base attachment allowing continuous rotation of grill in either direction.
- **Standard:** Grill is supported by a 2-3/8" x 41" long, two-section steel pipe for permanent installation in concrete footing. (Indicated by B6X2 in model no., e.g. H-16 B6X2)
- Entire unit is finished in high temperature, heat resistant, nontoxic black enamel.
- **Firebox and Grate are Fully Assembled.**
- **Ships in one box.**  
Weight: 68 lbs.  
Dimensions: 17-3/4"W x 23-1/2"L x 13-1/4"H.



Content of the box

**RJThomas Mfg. Co., Inc.**

PO Box 946 • Cherokee, IA 51012-0946 • PH: 712-225-5115 • 800-762-5002 • FAX: 712-225-5796  
E-Mail: [customerservice@rjthomas.com](mailto:customerservice@rjthomas.com) © 2015 RJThomas Mfg. Co., Inc.



NOTE:  
LOCAL SOIL CONDITIONS MAY  
REQUIRE A LARGER FOOTING

ALL DIMENSIONS IN INCHES

**RJThomas**  
**Mfg. Co., Inc.**  
P.O. Box 946  
Cherokee, IA 51012

TITLE MODEL H-16 B6X2 MULTILEVEL PARK GRILL

DRAWN BY **WWM**

DATE **7-03-14**

DWG. NO. **AI-1400**



# Model CBP-135 Backyard Charcoal Grill

**SPECIFICATION  
BULLETIN**  
**#SPC-GR-037**  
REV. 12-14



*Model CBP-135 Backyard Charcoal Grill.*



*Model CBP-135 Backyard Charcoal Grill  
with grate raised for fire building or cleaning.*



*Model CBP-135 Backyard Charcoal Grill ships in one box.*

## **SPECIFICATIONS:**

- **Park Quality Construction:** Durable 1/8" thick steel firebox, plus 1/2" and 3/8" diameter solid steel bars for the cooking grate. These are the same materials used to make charcoal grills for public parks and campgrounds.
- **Large Cooking Area:** The firebox measures 16" x 14" x 10" high. This provides 224 sq. inches of cooking area.
- **Adjustable Cooking Grate:** The cooking grate is easily adjusted to four levels above the coals. The commercial quality coiled steel bar grips on each side make grate adjustments easy and cool.
- **Cooking Grate Tips Up:** The cooking grate can be tipped up for easy fire building and firebox clean out. The grate remains permanently attached to the firebox.
- **Full 360 Degree Rotation:** This grill design provides a full 360 degree rotation in either direction. This allows you to easily compensate for changes in the wind while grilling.
- **Theft Proof Swivel Attachment:** Installation includes a locking pin in the grill-to-post swivel box. This design prevents removal of the firebox from the post and prevents theft.
- **Easy Post Assembly and Installation:** The base post comes in two sections, providing assembled dimensions of 2-3/8" OD x 40" long. Installation requires embedding the post into a concrete footing (concrete not included). An easy weekend D.I.Y. project.
- **Firebox and Grate are Fully Assembled.**
- **Finished with High Temp Non Toxic Black Enamel Paint.**
- **Ships in one box.**  
Weight: 50 lbs.  
Dimensions: 14-1/2"W x 21-3/4"L x 14-3/4"H.



*Content of the box*

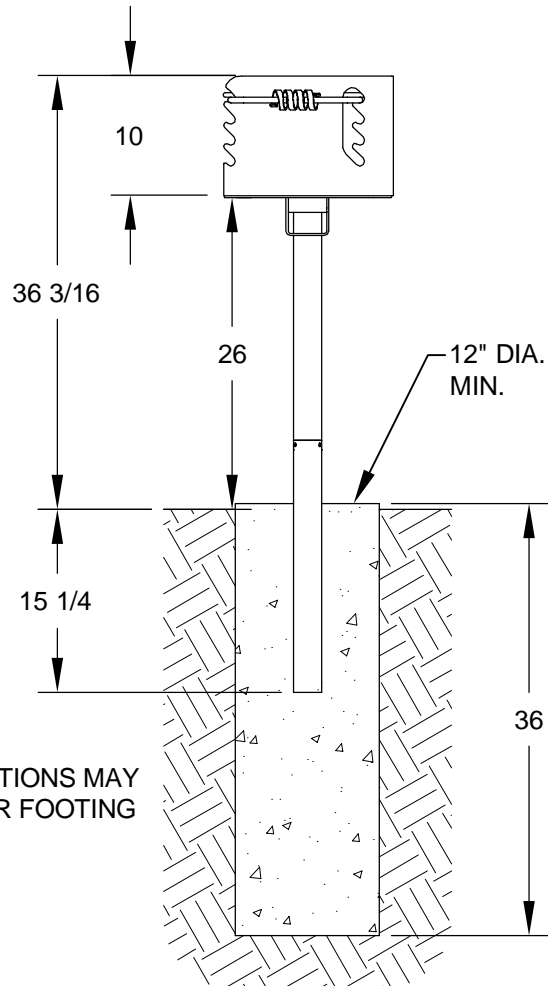
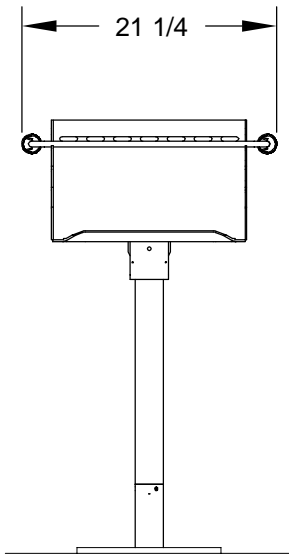
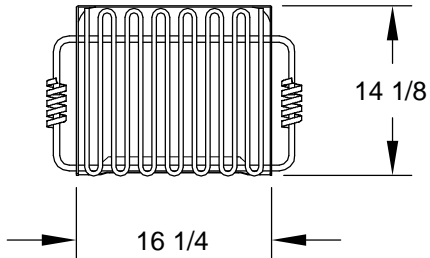
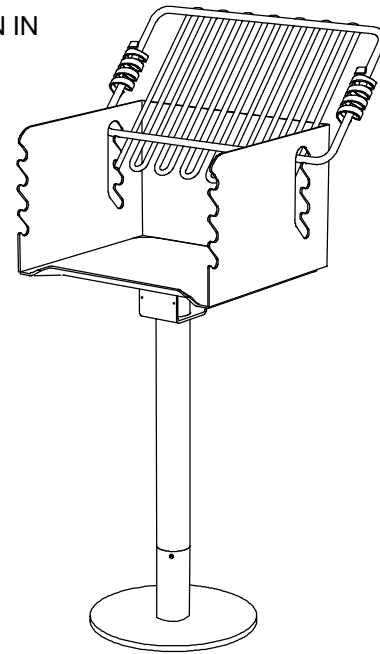
**RJThomas Mfg. Co., Inc.**

PO Box 946 • Cherokee, IA 51012-0946 • PH: 712-225-5115 • 800-762-5002 • FAX: 712-225-5796

E-Mail: [customerservice@rjthomas.com](mailto:customerservice@rjthomas.com)

© 2015 RJThomas Mfg. Co., Inc.

GRATE SHOWN IN  
TIPPED BACK  
POSITION FOR  
CLEANING



NOTE:  
LOCAL SOIL CONDITIONS MAY  
REQUIRE A LARGER FOOTING

ALL DIMENSIONS IN INCHES

**RJThomas**  
**Mfg. Co., Inc.**  
P.O. Box 946  
Cherokee, IA 51012

TITLE **MODEL CBP-135 BACKYARD GRILL WITH B6X2 BASE**

DRAWN BY **WWM**

DATE **7-02-14**

DWG. NO. **AI-2055**

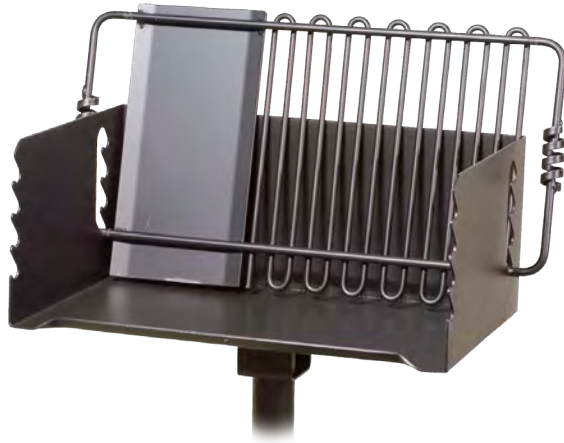


# Model CBP-247 Backyard Charcoal Grill

**SPECIFICATION  
BULLETIN**  
**#SPC-GR-038**  
REV. 12-14



*Model CBP-247 Backyard Charcoal Grill.*



*Model CBP-247 Backyard Charcoal Grill  
with grate raised for fire building or cleaning.*



*Content of the box*

## **SPECIFICATIONS:**

- **Park Quality Construction:** Durable 1/8" thick steel firebox, plus 1/2" and 3/8" diameter solid steel bars for the cooking grate. 1/8" thick steel hot plate. These are the same materials used to make charcoal grills for public parks and campgrounds.
- **Large Cooking Area:** The firebox measures 24" x 16" x 10" high. This provides a total of 384 sq. inches of cooking area.
- **Adjustable Cooking Grate:** The cooking grate is easily adjusted to four levels above the coals. The commercial quality coiled steel bar grips on each side make grate adjustments easy and cool.
- **Cooking Grate Tips Up:** The cooking grate can be tipped up for easy fire building and firebox clean out. The grate remains permanently attached to the firebox.
- **Full 360 Degree Rotation:** This grill design provides a full 360 degree rotation in either direction. This allows you to easily compensate for changes in the wind while grilling.
- **Theft Proof Swivel Attachment:** Installation includes a locking pin in the grill-to-post swivel box. This design prevents removal of the firebox from the post and prevents theft.
- **Easy Post Assembly and Installation:** The base post comes in two sections, providing assembled dimensions of 2-3/8" OD x 40" long. Installation requires embedding the post into a concrete footing (concrete not included). An easy weekend D.I.Y. project.
- **Firebox and Grate are Fully Assembled.**
- **Finished with High Temp Non Toxic Black Enamel Paint.**
- **Ships in one box.**  
Weight: 68 lbs.  
Dimensions: 17-1/2"W x 30"L x 14-1/4"H.

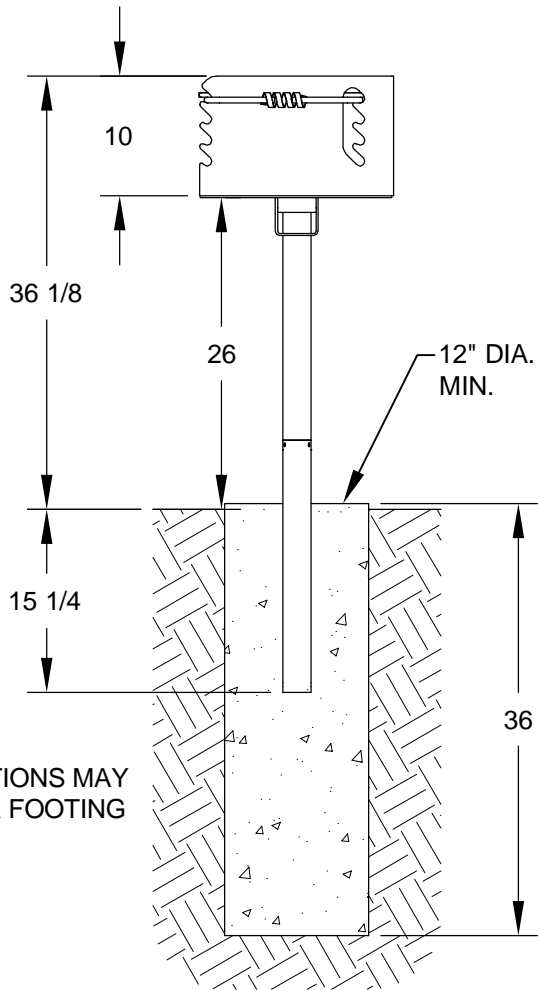
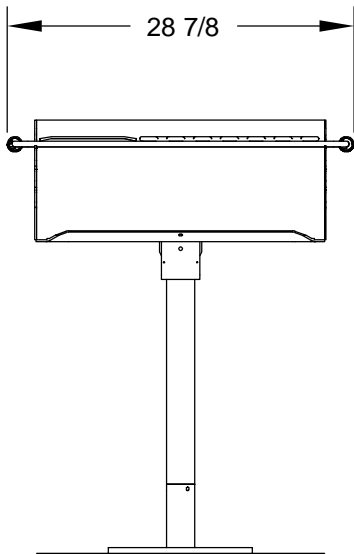
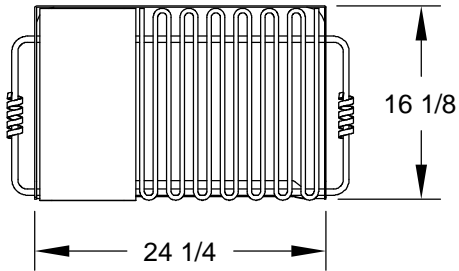
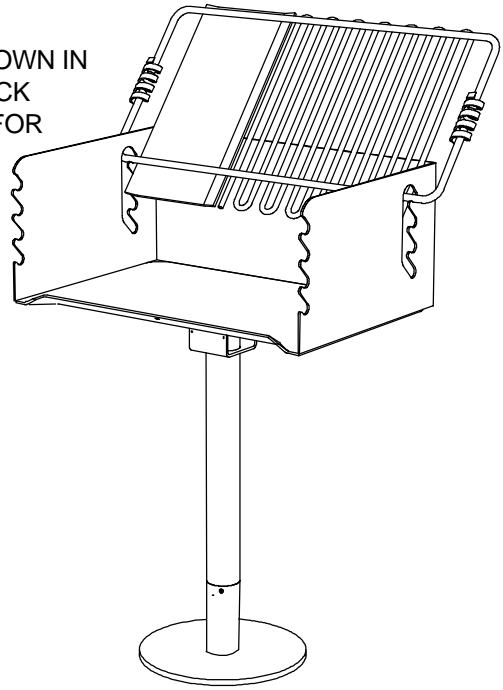
**RJThomas Mfg. Co., Inc.**

PO Box 946 • Cherokee, IA 51012-0946 • PH: 712-225-5115 • 800-762-5002 • FAX: 712-225-5796

E-Mail: [customerservice@rjthomas.com](mailto:customerservice@rjthomas.com)

© 2015 RJThomas Mfg. Co., Inc.

GRATE SHOWN IN  
TIPPED BACK  
POSITION FOR  
CLEANING



NOTE:  
LOCAL SOIL CONDITIONS MAY  
REQUIRE A LARGER FOOTING

ALL DIMENSIONS IN INCHES

**RJThomas**  
**Mfg. Co., Inc.**  
P.O. Box 946  
Cherokee, IA 51012

TITLE MODEL CBP-247 BACKYARD GRILL WITH B6X2 BASE

DRAWN BY **WWM**

DATE **1-17-14**

DWG. NO. **AI-2056**



# Model CBP-TGP1 Tailgate Post for Charcoal Grills

**SPECIFICATION  
BULLETIN**  
**#SPC-GR-035**  
REV. 07-14



**Model CBP-TGP1** Tailgate Post shown with CBP-135 Backyard Charcoal Grill (sold separately).



**Model CBP-TGP1**

## **SPECIFICATIONS:**

- The **CBP-TGP1 Tailgate Post** for charcoal grills is designed to conveniently slide into your 2 in. receiver hitch to make tailgating easy.
- Allows you to use your regular or heavy-duty Park-Style Backyard Charcoal Grill (Model CBP-135 or Model CBP-247, both sold separately) at a comfortable height, right on the back end of your vehicle.
- Grill on Tailgate Post will rotate 360 degrees so you can grill from any angle.
- Designed to fit into standard 2-1/2" square truck hitch receivers (2" ID). A 21/32" dia. hole is provided for the hitch pin. Hitch pin not included.
- Rises 20-3/4" from hitch to grill mount to keep cooking surface at a comfortable height. (Measure the height of your hitch. Some high profile and 4x4 vehicles have hitch points higher than other vehicles.)
- Constructed of rugged 2-3/8" OD round steel pipe with die-formed square end for receiver.
- Black powder coat finish.
- **Ships in one box.**  
Weight: 12 lbs.  
Dimensions: 20"W x 30"L x 3"H.



**Content of the box**

**RJ Thomas Mfg. Co., Inc.**

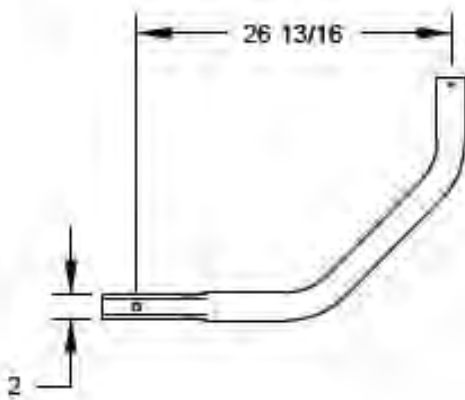
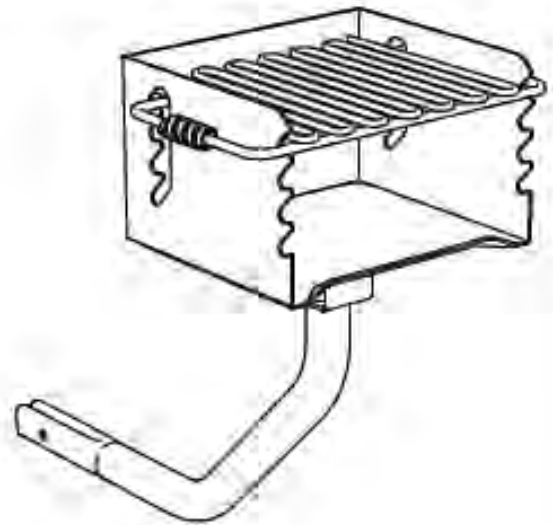
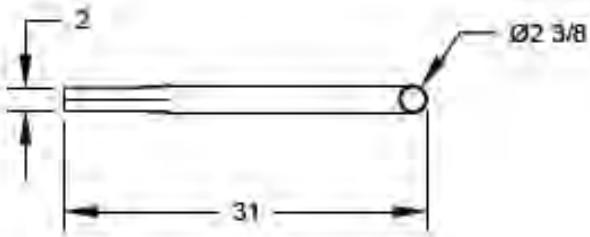
PO Box 946 · Cherokee, IA 51012-0946 · PH: 712-225-5115 · 800-762-5002 · FAX: 712-225-5796

E-mail: [customerservice@rjthomas.com](mailto:customerservice@rjthomas.com)

© 2014 RJ Thomas Mfg. Co., Inc.



MODEL CBP-TGP1 TAILGATE POST  
 (SHOWN WITH CBP-135 BACKYARD  
 CHARCOAL GRILL, NOT INCLUDED)



ALL DIMENSIONS IN INCHES

RJThomas  
 Mfg. Co., Inc.  
 P.O. Box 946  
 Cherokee, IA 51012

TITLE MODEL CBP-TGP1 TAILGATE POST FOR BACKYARD  
 PARK-STYLE CHARCOAL GRILLS

DRAWN BY	WWM
DATE	7-08-14
DWG. NO.	AI-2057



# Model IO-30/8 Octa-Ring Bolt-Together Campfire Ring

**SPECIFICATION  
BULLETIN**  
**#SPC-FR-065**  
REV. 09-17



**Model IO-30/8 Octa-Ring Campfire Ring**  
as a stand-alone firering.



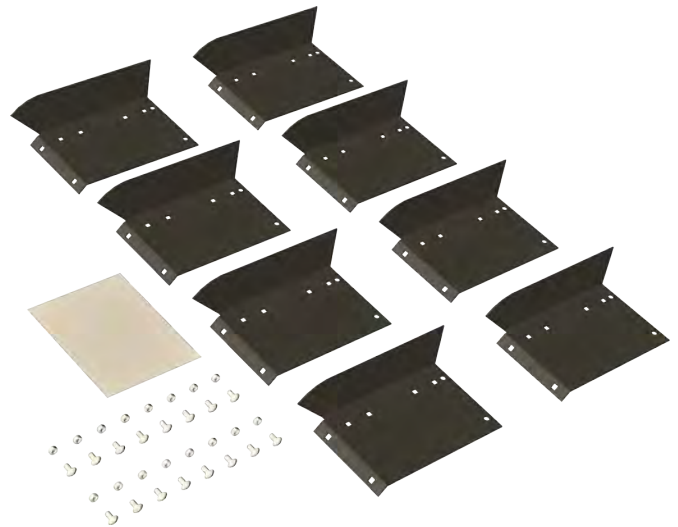
**Model IO-30/8 Octa-Ring Campfire Ring** as a firering insert  
used with landscaping stone (sold separately).

## SPECIFICATIONS:

- **Model IO-30/8 Octa-Ring Campfire Ring** is a bolt-together campfire ring designed to stand alone as a firering or to fit a variety of fire pits as a steel insert. Ring can be disassembled and taken on camping trips.
- As a stand-alone firering, the Octa-Ring provides a solid 8" (nom.) tall fire barrier.
- The ring can be used as an insert in fire pits with a 30" to 35" inside diameter.
- The 3-7/8" flange at the top of the ring supports the ring when used as an insert or serves as a convenient work surface.
- The ring is constructed of eight identical die-formed 12 ga. panels with a 7-7/8" side height and a 3-7/8" formed (not welded) top outward flange.
- The panels are secured together by galvanized steel fasteners supplied with the ring.
- Overall dimensions are 37-11/16" x 7-7/8".
- Entire unit is finished in high temperature, heat resistant, nontoxic black enamel paint.
- **Assembly Required.**
- **Ships in one box.**  
Weight: 37 lbs.  
Dimensions: 9-3/4"W x 15-1/2"L x 7-1/4"H.

## FEATURES

- Use as a stand-alone campfire ring
- Use as an insert for patio fire pits made of landscaping stone.
- Bolt-together assembly can be disassembled to take on camping trips
- Creates a nearly eight inch tall solid fire barrier
- Perfect fit for Model DIG-U2 Drop-in Cooking Grate
- Quality construction throughout



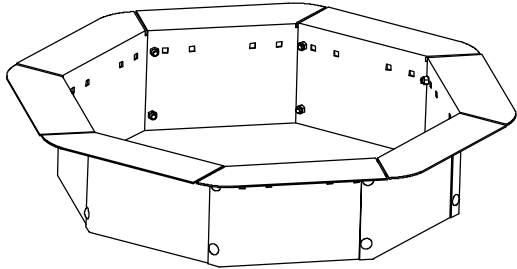
Content of the box

**RJThomas Mfg. Co., Inc.**

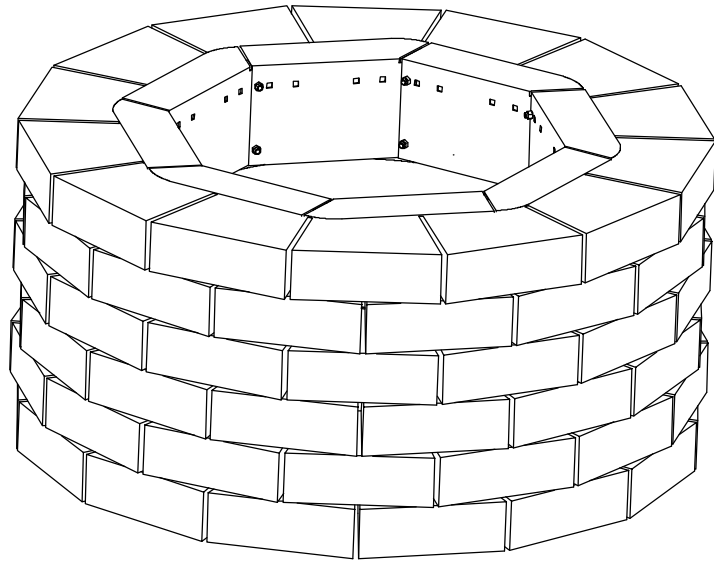
PO Box 946 • Cherokee, IA 51012-0946 • PH: 712-225-5115 • 800-762-5002 • FAX: 712-225-5796

E-Mail: [customerservice@rjthomas.com](mailto:customerservice@rjthomas.com)

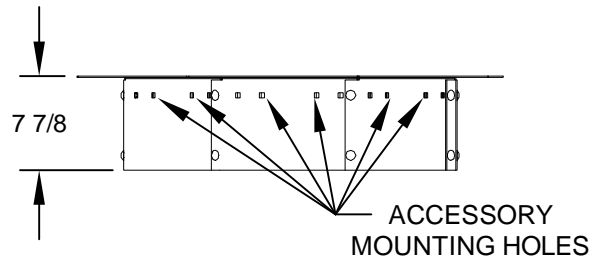
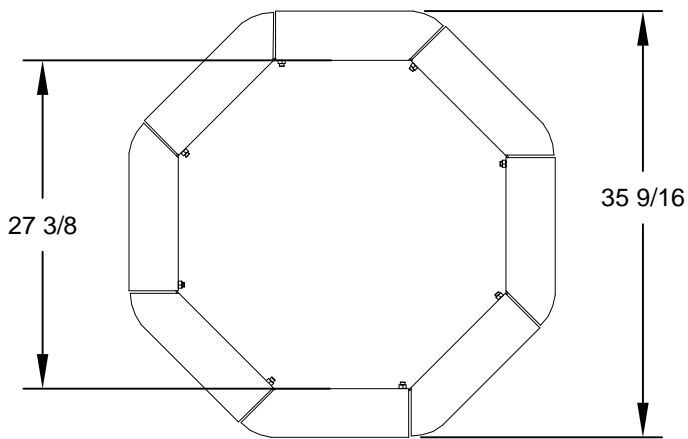
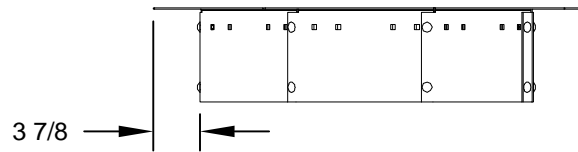
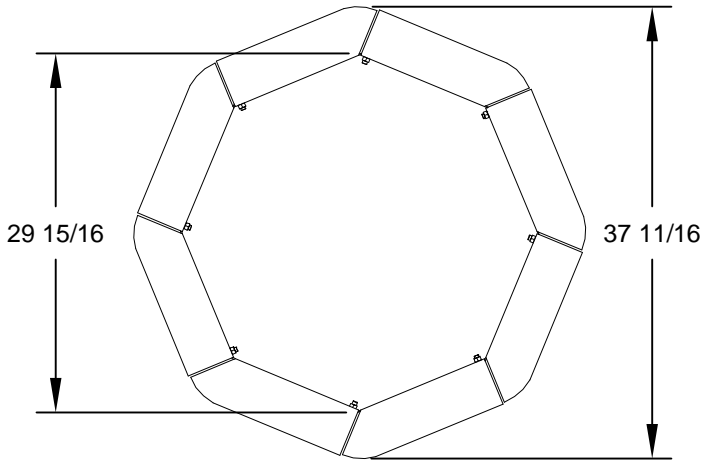
© 2015 RJThomas Mfg. Co., Inc.



USE IO-30/8 AS A  
STAND-ALONE FIRERING



USE IO-30/8 AS AN INSERT  
FOR LANDSCAPING BLOCK  
FIREPIT (BLOCKS NOT INCLUDED)



ALL DIMENSIONS IN INCHES

**RJThomas**  
**Mfg. Co., Inc.**  
P.O. Box 946  
Cherokee, IA 51012

TITLE MODEL IO-30/8 OCTA-RING BOLT TOGETHER CAMPFIRE  
RING/INSERT

DRAWN BY WWM

DATE 1-2-14

DWG. NO. AI-IO-30/8



# IX Series Firering Insert for Landscaping Stones

**SPECIFICATION  
BULLETIN**  
**#SPC-FR-064**  
REV. 12-14



*Model IX-31 Firering Insert for landscaping stones.  
Shown with optional Model I-A bolt-on cooking grate kit.*

## FEATURES

- **27", 30", or 31" ID 10 ga. steel ring protects landscaping stones from extreme heat**
- **Raises fire to a comfortable working level**
- **Use alone as a fireplace or add optional grates for cookouts**

## AVAILABLE OPTIONS

- **1 or 2 bolt-on cooking grates**
- **Fire Screens**
- **Flat steel cover**

## SPECIFICATIONS:

- This **IX Series** steel firering insert is designed to fit inside a circular structure of landscaping stones to create a raised fire level for backyard locations. The insert creates a heat and fire barrier to protect the stones. (Note: stones should not be exposed to extreme heat without a steel liner.)
- The **IX Series Round Insert** is an 8" tall ring formed from 10 ga. steel supported by a 1-1/2" outside flange at the top of the ring resting on the top of the stones. Coarse aggregate fill (not included) provides a raised level for the fire and protects ground surfaces from heat.
- **Model IX-27** has a 27" ID.
- **Model IX-30** has a 30" ID.
- **Model IX-31** has a 31" ID.
- Entire insert unit is finished in high temperature, heat resistant, nontoxic black enamel paint.
- Overall height of the stone is at the discretion of owner (typically 20" to 24"). Stones should be assembled according manufacturer specifications.
- **Optional:** A variety of cooking grate configurations are available as a bolt-on option. Grates are constructed of 1/2" dia. A-36 steel bar spaced at 1-1/8" intervals with a 1/2" dia. A-36 steel bar perimeter frame. Grates are secured to the insert with a bolted-on 1/2" dia. A-36 steel retaining bar that allows the grate to be flipped upward for fire building or pulled back for an unobstructed view of the fire. Kit includes a 1/4" dia. steel bar hook for repositioning hot grates. One grate, or two opposing grates can be added to the insert. Order grate kits as a separate item.
  - **Model I-A bolt-on grate kit**  
(1) 12" x 21" 252 sq. in. cooking grate and brackets
  - **Model I-B bolt-on grate kit**  
(1) 12" x 33" 396 sq. in. cooking grate and brackets
- **Optional: Model IAFS-30 Fire Screen** is a heavy duty 37-3/4" dia. x 13" high expanded steel ring with an expanded steel flat top surface supported by formed steel base and top rings. Screen is removable. Screen is intended to contain ash when fireplace is in use. Fits all insert and option combinations. Weighs 60 lbs.
- **Optional: Model AD6071 Easy Access Fire Screen** dome covers entire insert, or lift one side of screen for easy access to fire or cooking grates. Fits all insert and option combinations. Weighs 17 lbs. Screen is intended to contain ash when fireplace is in use.
- **Optional: Model IAC-30 Cover** is an 18 ga. pregalvanized flat steel cover with two handles intended to cover the firepit when not in use.

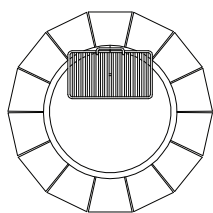
**RJThomas Mfg. Co., Inc.**

PO Box 946 • Cherokee, IA 51012-0946 • PH: 712-225-5115 • 800-762-5002 • FAX: 712-225-5796

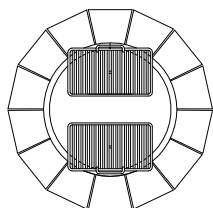
E-Mail: [customerservice@rjthomas.com](mailto:customerservice@rjthomas.com)

© 2015 RJThomas Mfg. Co., Inc.

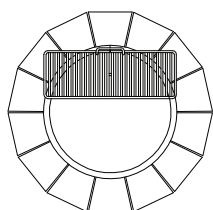
**OPTIONAL BOLT-ON GRATE CONFIGURATIONS FOR IX SERIES INSERT**



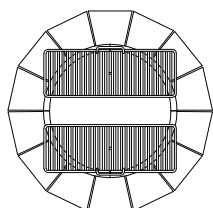
**(1) MODEL I-A GRATE KIT  
SINGLE 12" X 21" 252 SQ. IN.  
COOKING GRATE**



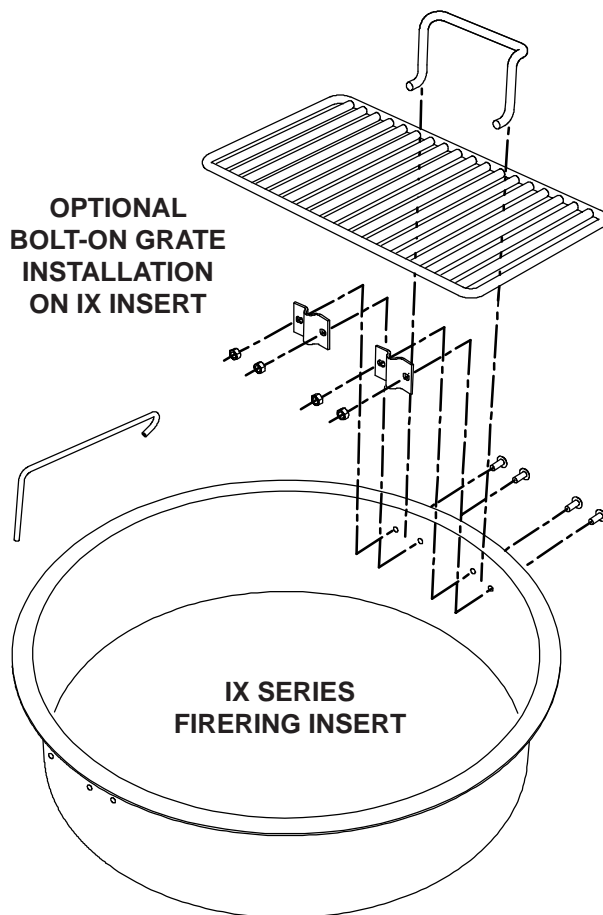
**(2) MODEL I-A GRATE KITS  
TWO 12" X 21" 252 SQ. IN.  
COOKING GRATES  
504 SQ. IN. TOTAL**



**(1) MODEL I-B GRATE KIT  
SINGLE 12" X 33" 396 SQ. IN.  
COOKING GRATES**



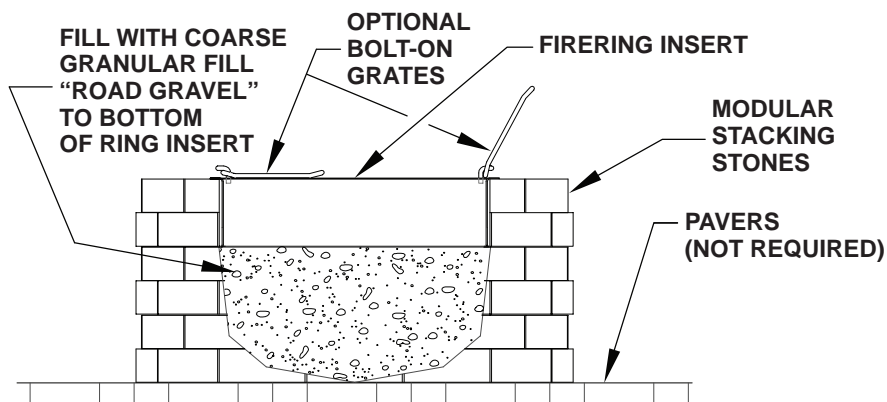
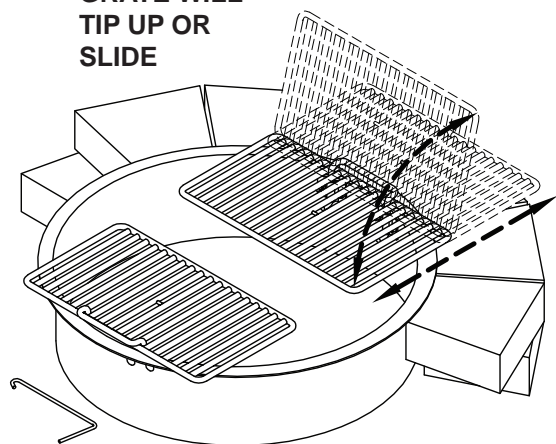
**(2) MODEL I-B GRATE KITS  
TWO 12" X 33" 396 SQ. IN.  
COOKING GRATES  
792 SQ. IN. TOTAL**



**Installation Guide**

Establish a suitable subbase by removing any organic material and replace with compactible granular aggregate. (Concrete pavers are illustrated but not required.) Use the insert as a guide to lay modular stacking stones spaced equally in a suitable circle leaving a one inch air gap between the insert and stones. Arrange stones to obtain the desired height of the firepit. Place the insert and fill the pit with coarse granular fill to the bottom of the steel insert.

**GRATE WILL  
TIP UP OR  
SLIDE**



**RJThomas Mfg. Co., Inc.**

PO Box 946 • Cherokee, IA 51012-0946 • PH: 712-225-5115 • 800-762-5002 • FAX: 712-225-5796  
E-Mail: customerservice@rjthomas.com

© 2015 RJThomas Mfg. Co., Inc.



# IQ Series Square Bolt Together Firepit Insert for Landscaping Stones

**SPECIFICATION  
BULLETIN**  
**#SPC-FR-058**  
REV. 02-18



**IQ Series Firepit Insert** for landscaping stones.



**Model IQ Square Firepit Insert** shown with optional **Cooking Grate** in a flipped up position for easy fire building.



**Model IQ Square Firepit Insert** shown with optional **Cooking Grate** in a slid back position to give a more "open fire" experience.



## FEATURES

- Six sizes to choose from
- Steel insert protects landscaping stones from extreme heat
- Use alone as a firepit insert or add an optional grate for cookouts

## AVAILABLE OPTIONS

- 23, 27, or 32 inch square models, 8 or 12 inches deep
- Bolt-on cooking grate

## SPECIFICATIONS:

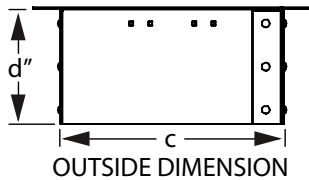
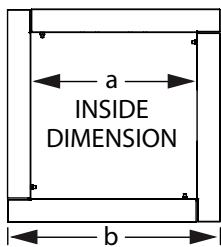
- **IQ Series** steel firepit insert is designed to fit inside a square structure of landscaping stones for backyard locations. The insert creates a heat and fire barrier to protect the stones. (Note: stones should not be exposed to extreme heat without a steel liner.)
- The **IQ Series Insert** is formed from four 12 ga. steel side panels supported by a 2"-3" outside flange at the top of the panels resting on the top of the stones. Panels bolt together at the corners.
- Insert ships unassembled for reduced packaging. Assembly required. Landscaping stones not included.
- **IQ-23 Insert** is 22-3/4" square inside dimension.
- **IQ-27 Insert** is 27-3/16" square inside dimension.
- **IQ-32 Insert** is 31-11/16" square inside dimension.
- Entire insert unit is finished in high temperature, heat resistant, nontoxic black enamel paint.
- Overall height of the stone is at the discretion of owner. The top of the stones provide a convenient work surface. Stones should be assembled allowing an approximate 1" air gap around the entire insert according to stone manufacturer's specifications. Coarse aggregate fill (not included) inside the stone structure provides a raised level for the fire and protects ground surfaces from heat.
- **Optional:** A bolt-on cooking grate is available for each model of insert. Grates are fully welded, constructed entirely of 1/2" dia. A-36 steel bar spaced at 1-1/8" intervals with a 1/2" dia. steel bar perimeter frame with two 1/2" support bars. Grates are secured to the insert with a bolted-on 1/2" dia. steel retaining bar that allows the grate to be flipped upward for fire building or pulled back for an unobstructed view of the fire. Kit includes a 1/4" dia. steel bar hook for repositioning hot grates. One grate can be added to the insert. Order grate kit as a separate item.
- **Model IQ-A bolt-on grate kit for IQ-23 Insert**  
(1) 12" x 21" 252 sq. in. cooking grate and brackets.
- **Model IQ-P bolt-on grate kit for IQ-27 Insert**  
(1) 17" x 27-7/8" 474 sq. in. cooking grate and brackets.
- **Model IQ-B bolt-on grate kit for IQ-32 Insert**  
(1) 12" x 33" 396 sq. in. cooking grate and brackets.

**RJThomas Mfg. Co., Inc.**

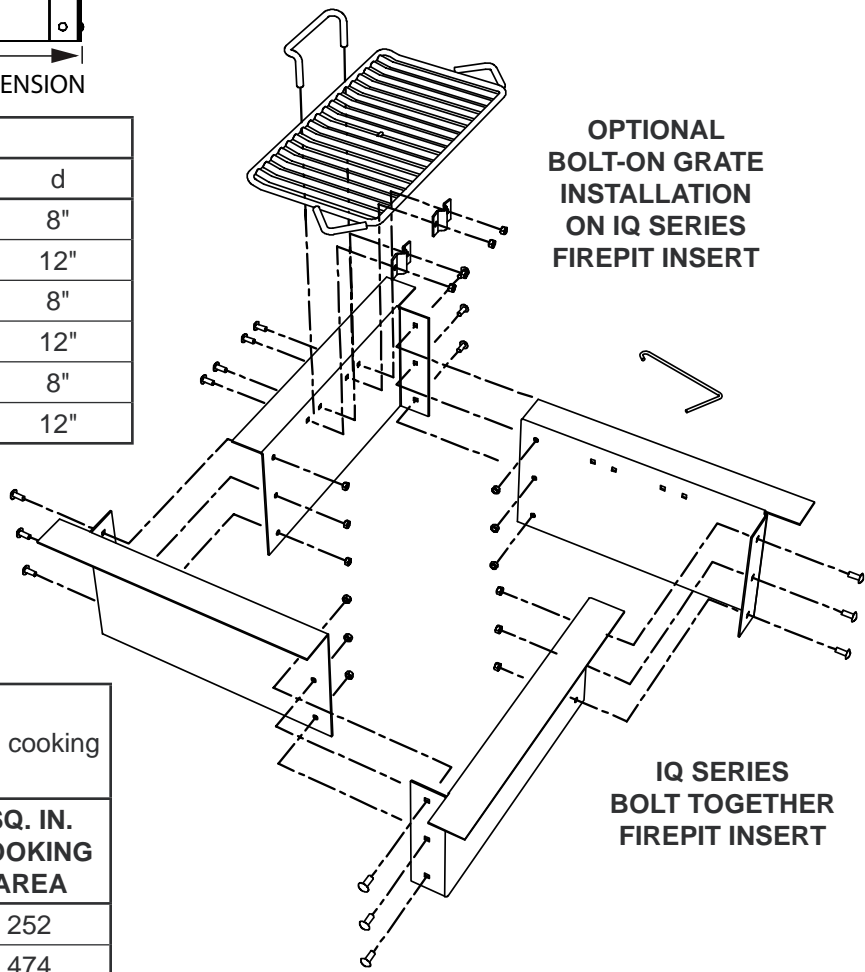
PO Box 946 • Cherokee, IA 51012-0946 • PH: 712-225-5115 • 800-762-5002 • FAX: 712-225-5796

E-Mail: [customerservice@rjthomas.com](mailto:customerservice@rjthomas.com)

© 2018 RJThomas Mfg. Co., Inc.

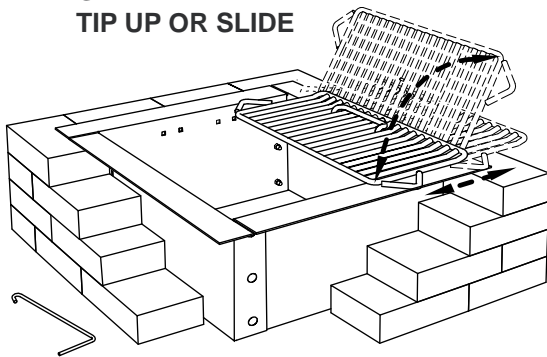


MODEL	DIMENSION			
	a	b	c	d
<b>IQ-23/8</b>	22-3/4"	27-1/8"	23-1/16"	8"
<b>IQ-23/12</b>	22-3/4"	28-7/8"	23-1/16"	12"
<b>IQ-27/8</b>	27-3/16"	33-1/4"	27-7/16"	8"
<b>IQ-27/12</b>	27-3/16"	33-1/4"	27-7/16"	12"
<b>IQ-32/8</b>	31-11/16"	37-3/4"	31-15/16"	8"
<b>IQ-32/12</b>	31-11/16"	37-3/4"	31-15/16"	12"



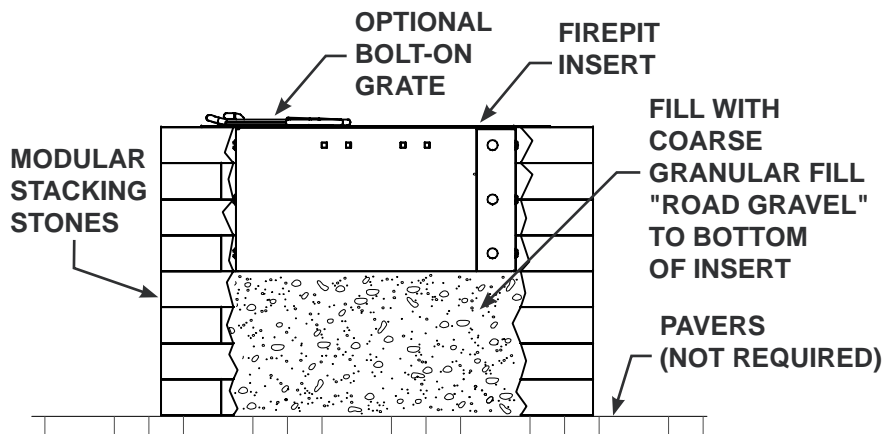
OPTIONAL COOKING GRATE KITS			
Use the table below when ordering an optional cooking grate kit. Order grate kit as a separate item.			
INSERT MODEL	USE GRATE KIT MODEL	GRATE DIMENSIONS	SQ. IN. COOKING AREA
<b>IQ-23</b>	<b>IQ-A</b>	21-1/8" X 12"	252
<b>IQ-27</b>	<b>IQ-P</b>	27-7/8" X 17"	474
<b>IQ-32</b>	<b>IQ-B</b>	33-1/8" X 12"	396

**GRATE WILL TIP UP OR SLIDE**



**Installation Guide**

Following block manufacturer guidelines, use the insert as a guide to lay stones spaced equally in a suitable square to allow an air gap of 1 inch between insert and stone. Place the insert and fill the pit with coarse granular fill to the bottom of the steel insert.



**RJThomas Mfg. Co., Inc.**

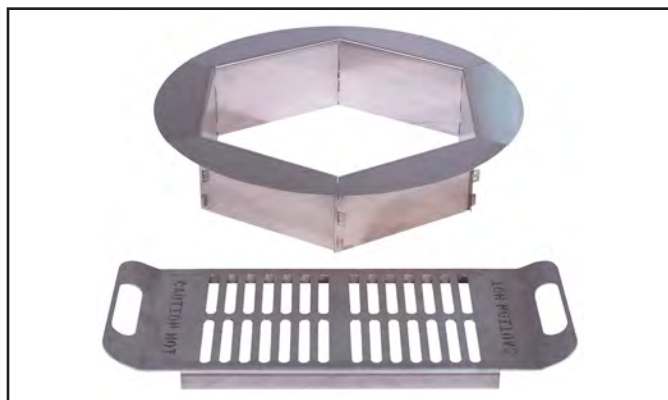
PO Box 946 • Cherokee, IA 51012-0946 • PH: 712-225-5115 • 800-762-5002 • FAX: 712-225-5796  
E-Mail: customerservice@rjthomas.com

© 2018 RJThomas Mfg. Co., Inc.



# Model IHSS-22/6 SS Fire Pit Insert Kit w/ DIG/S-3 Drop In Cooking Grate

**SPECIFICATION  
BULLETIN  
#SPC-FR-069  
REV. 11-17**



Model IHSS-22/6 Stainless Steel Fire Pit Insert shown with included Model DIG/S-3 Drop-In Cooking Grate



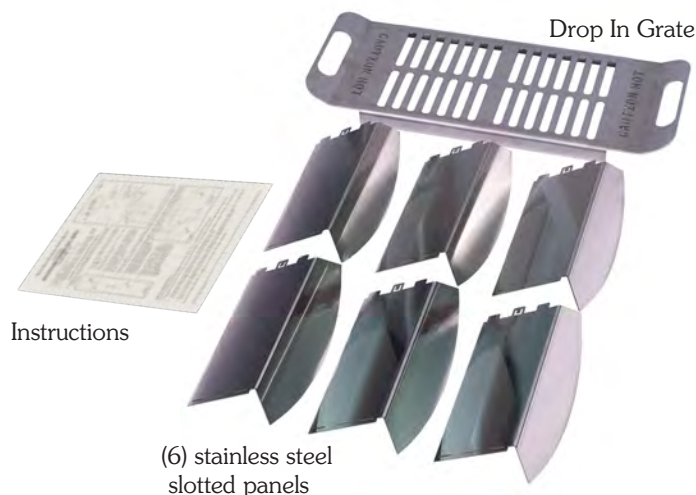
Model IHSS-22/6 Stainless Steel Fire Pit Insert shown with included Model DIG/S-3 Drop-In Cooking Grate used with landscaping stone (sold separately).

## SPECIFICATIONS:

- **Model IHSS-22/6 Stainless Steel Fire Pit Insert** is an 18 ga. stainless steel snap-together fire pit insert designed to fit a variety of fire pits as a steel insert. This kit includes **Model DIG/S-3** stainless steel drop in cooking grate.
- The hexagon-shaped ring can be used as an insert in fire pits with a 22-1/4" to 25-1/2" inside diameter.
- Aggregate fill should meet the bottom edge of this insert for taller fire pits.
- The 3-3/4" flange at the top of the ring supports the ring on landscape blocks and serves as a convenient work surface.
- The ring is constructed of six (6) identical die-formed 18 ga. stainless steel slotted panels which snap together; no fasteners are required.
- Assembled ring has a 5-3/4" side height and a 3-7/8" formed (not welded) top outward flange.
- Overall dimensions are 26" x 5-3/4". Inside diameter is roughly 22".
- Entire unit is stainless steel finish. This product is not painted.
- **Included:** This kit includes **Model DIG/S-3** drop in cooking grate to provide 189 sq inches of cooking area when needed. This removable cooking surface is laser cut from a single piece of 11 ga. stainless steel plate. Handles are cut and formed at each end. Overall dimensions are 26-7/8"L x 10-1/2" wide.
- **Assembly Required.**
- **Both items ship in one box.**  
Weight: 17 lbs.  
Box Dimensions: 27-1/8"W x 11-1/8"L x 4-1/8"H.

## FEATURES

- Use as an insert for backyard fire pits made of landscaping stone
- Snap together assembly; no fasteners are required
- Includes Model DIG/S-3 Drop-in Cooking Grate
- Quality construction throughout

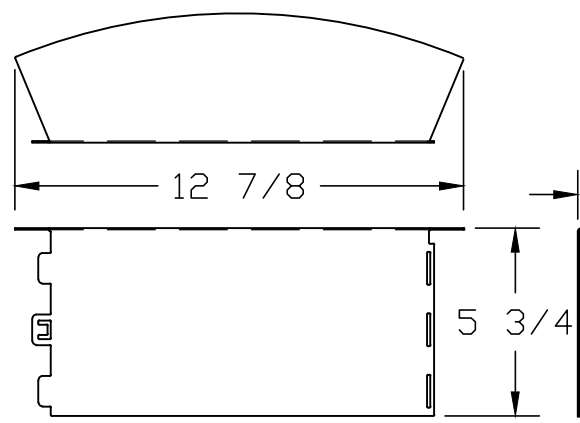
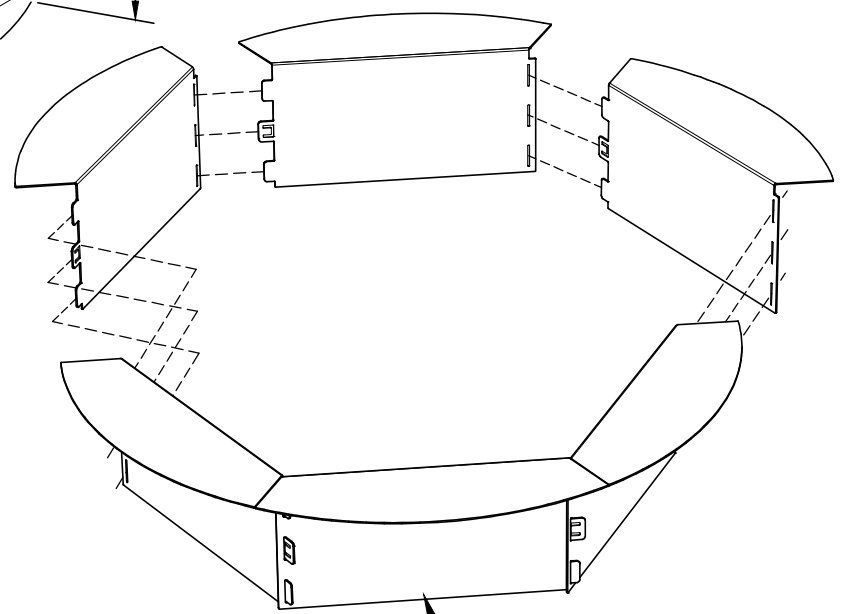
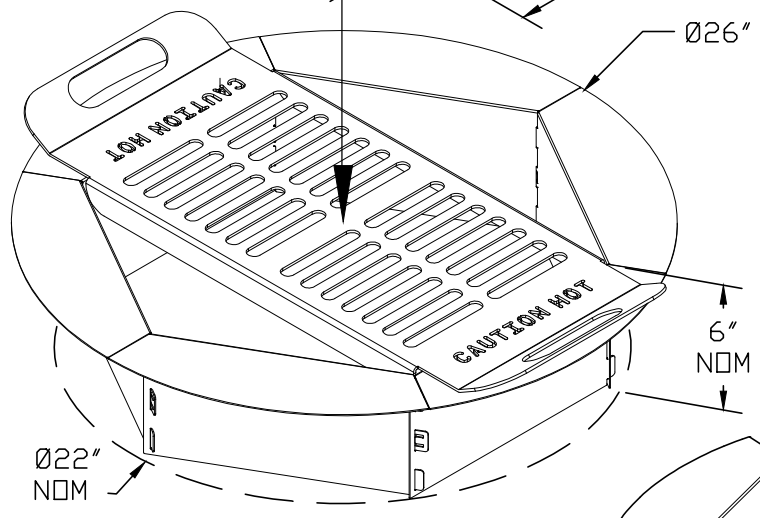
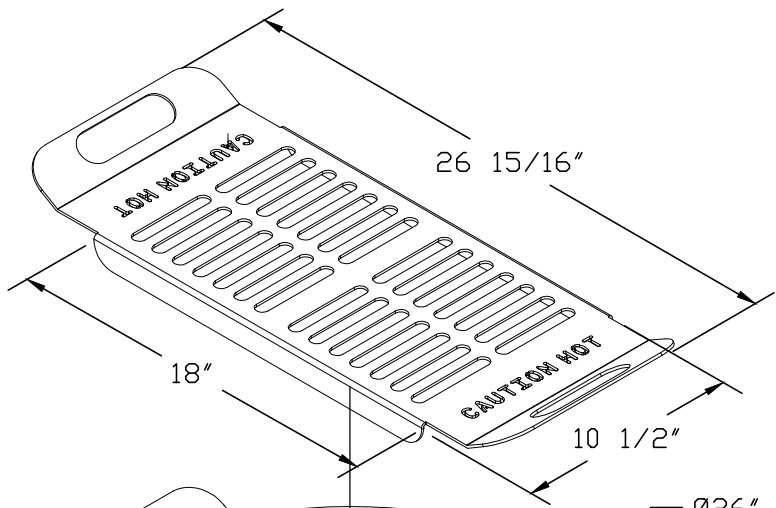


Content of the box

**RJThomas Mfg. Co., Inc.**

PO Box 946 • Cherokee, IA 51012-0946 • PH: 712-225-5115 • 800-762-5002 • FAX: 712-225-5796  
E-Mail: [customerservice@rjthomas.com](mailto:customerservice@rjthomas.com) © 2017 RJThomas Mfg. Co., Inc.





THESE (3) PANELS SHOWN ASSEMBLED

ALL DIMENSIONS IN INCHES

**RJThomas**  
**Mfg. Co., Inc.**  
 P.O. Box 946  
 Cherokee, IA 51012

TITLE  
**MODEL IHSS-22/6 Stainless Steel Fire Pit Insert Kit with**  
**DIG/S-3 Drop In Cooking Grate**

DRAWN BY **JGJ**  
 DATE **09-28-17**  
 DWG. NO. **AI-2088**



## Model IOSS-31/6 Stainless Steel Fire Pit Insert Kit

**SPECIFICATION BULLETIN**  
**#SPC-FR-068**  
REV. 12-18



**Model IOSS-31/6 Stainless Steel Fire Pit Insert** used with landscaping stone (sold separately).



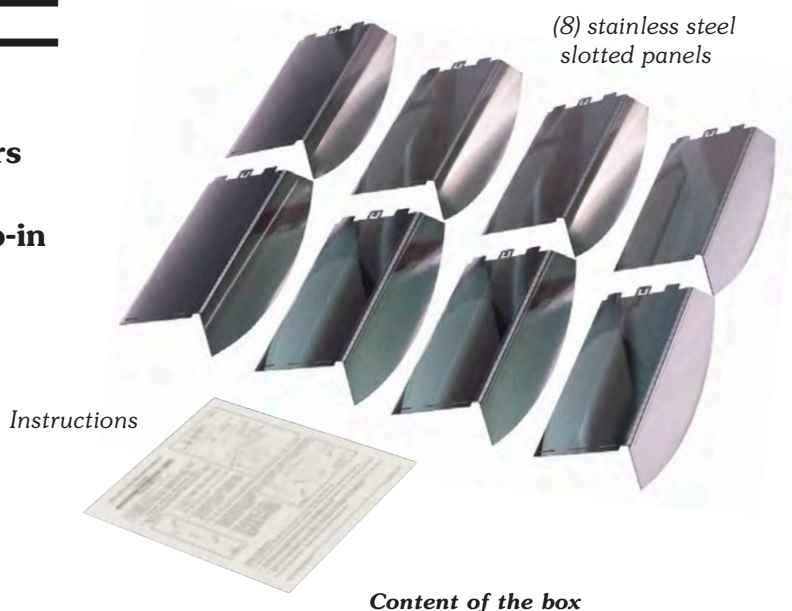
**Model IOSS-31/6 Stainless Steel Fire Pit Insert** shown with optional (DIG/S-U4) Drop-In cooking Grate

### SPECIFICATIONS:

- **Model IOSS-31/6 Stainless Steel Fire Pit Insert** is an 18 ga. stainless steel snap-together fire pit insert designed to fit a variety of fire pits as a steel insert.
- The octagon-shaped ring can be used as an insert in fire pits with a 31-1/4" to 35-1/2" inside diameter.
- Aggregate fill should meet the bottom edge of this insert for taller fire pits.
- The 3-7/8" flange at the top of the ring supports the ring on landscape blocks and serves as a convenient work surface.
- The ring is constructed of eight (8) identical die-formed 18 ga. stainless steel slotted panels which snap together; no fasteners are required.
- Assembled ring has a 5-3/4" side height and a 3-7/8" formed (not welded) top outward flange.
- Overall dimensions are 36" x 5-3/4". Inside diameter is roughly 31".
- Entire unit is stainless steel finish. This product is not painted.
- **Assembly Required.**
- **Ships in one box.**  
Weight: 12 lbs.  
Box Dimensions: 13-3/4"W x 6-1/4"L x 4-3/8"H.
- **Optional:** Model DIG/S-U4 Drop In Cooking Grate can provide a removable stainless steel cooking surface when needed.

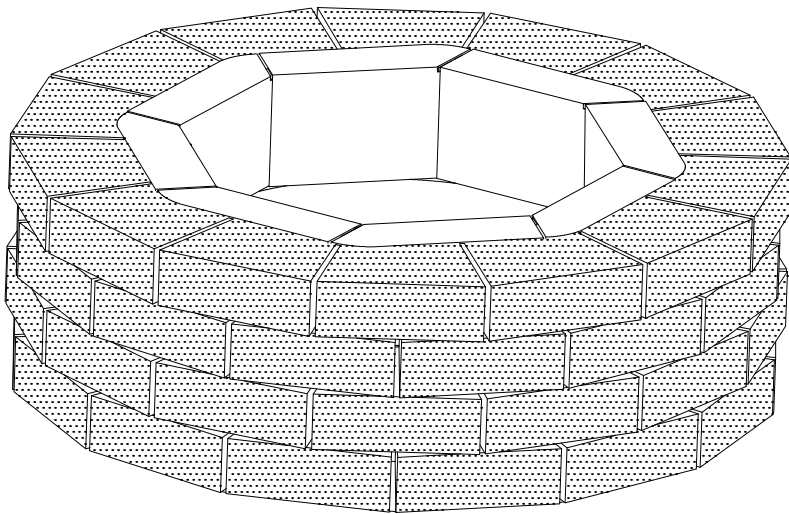
### FEATURES

- **Use as an insert for patio fire pits made of landscaping stone**
- **Snap together assembly; no fasteners are required**
- **Perfect fit for Model DIG/S-U2 Drop-in Cooking Grate**
- **Quality construction throughout**

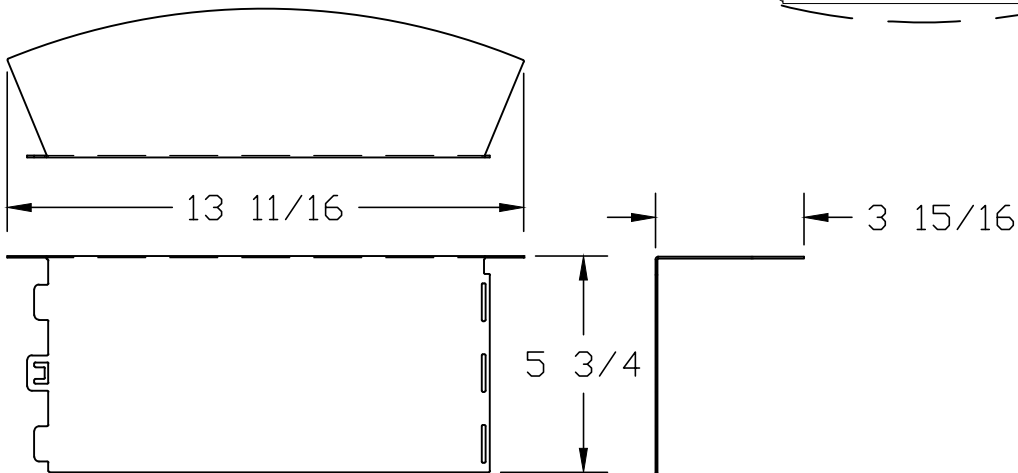
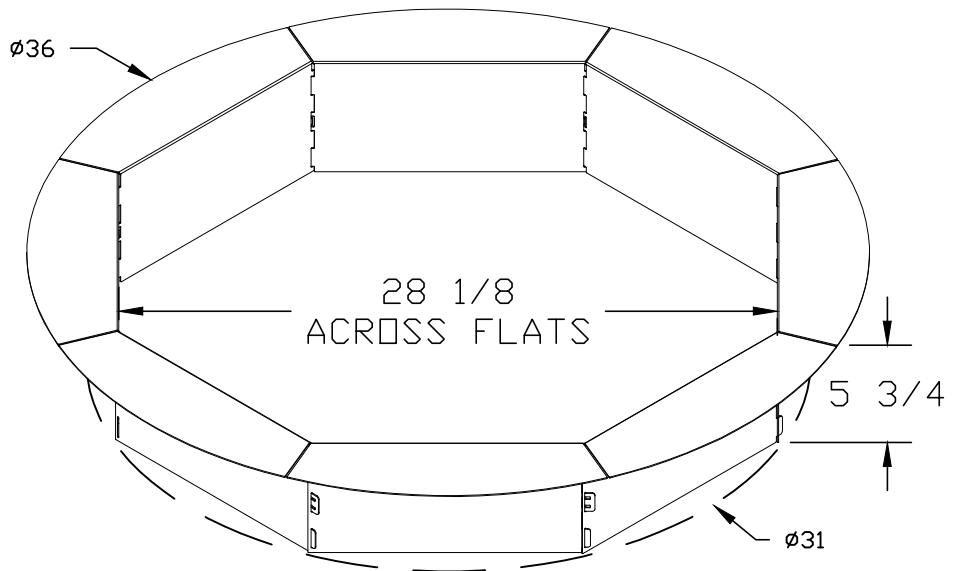


**RJThomas Mfg. Co., Inc.**

PO Box 946 • Cherokee, IA 51012-0946 • PH: 712-225-5115 • 800-762-5002 • FAX: 712-225-5796  
E-Mail: [customerservice@rjthomas.com](mailto:customerservice@rjthomas.com) © 2018 RJThomas Mfg. Co., Inc.



USE IOSS-31/6 AS AN INSERT  
FOR LANDSCAPING BLOCK  
FIREPIT (BLOCKS NOT  
INCLUDED)



ALL DIMENSIONS IN INCHES

**RJThomas**  
**Mfg. Co., Inc.**  
P.O. Box 946  
Cherokee, IA 51012

TITLE

**MODEL IOSS-31/6 Octagon Stainless Steel Fire Pit Insert**

DRAWN BY

**JGJ**

DATE

**09-28-17**

DWG. NO.

**AI-2087**



# Model AD6071 Fire Screen for IX Series Firepit Inserts

**SPECIFICATION  
BULLETIN**  
**#SPC-FR-063**  
REV. 12-14



*Model AD6071 Fire Screen is the closed position.*



*Model AD6071 Fire Screen is the open position.*

## **SPECIFICATIONS:**

- **Model AD6071** Fire Screen is designed to prevent hot ash and glowing embers escaping the firepit while allowing full view of the fire and easy access to the fire.
- The screen sits on top of landscaping stones that form the firepit. No permanent attachment is required.
- The hemispherical shape is framed by 1-1/2" x 11 ga. steel strap banding. The screen is 1/4" fire rated steel screen mesh.
- Unit has a diameter of 39-1/2" ID (nom) and a height of 21" (nom).
- One half of the screen flips up inside of the other half to allow access to the fire without removing the entire screen. A handle is provided on the moving section of the screen.
- Entire unit is finished in high heat flat black enamel paint.
- Some assembly is required. Assembled unit weighs 17 lbs.
- **CAUTION:** screen will be hot when in use. Wear protective gloves when handling.

## **FEATURES**

- **Steel Band Framing**
- **1/4" fire rated steel mesh screen**
- **Half of the unit tips up for access to the fire**
- **Full view of the fire**

**RJThomas Mfg. Co., Inc.**

PO Box 946 • Cherokee, IA 51012-0946 • PH: 712-225-5115 • 800-762-5002 • FAX: 712-225-5796

E-Mail: [customerservice@rjthomas.com](mailto:customerservice@rjthomas.com)

© 2015 RJThomas Mfg. Co., Inc.

## Assembly and Instruction Sheet

### Model AD6071 Easy Access Spark Screen for Outdoor Firepits



## WARNING!

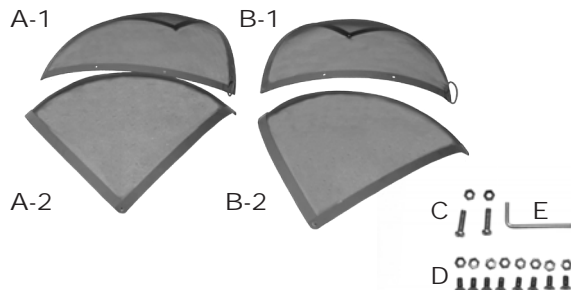
Screen will become hot when in use! Failure to wear protective gloves when handling may lead to injury.

## Parts Checklist

Tools Required for Assembly:

Allen Wrench (Provided)      10mm Wrench  
Phillips Screwdriver

Part #	Quantity	Description
A	2	Screen w/Bolt Spacer
B	2	Screen w/Bolt Hole
C	2	Hinge Bolts & Nuts
D	8	Screen Bolts & Nuts
E	1	Allen Wrench



## Assembly Instructions

### Step 1:

Carefully unpack all parts. Inspect for missing parts or damage.

### Step 2:

Separate screen sections, placing Screen with Bolt Spacers (A-1, A-2) (Fig. 1) side by side with bolt holes overlapping and the bolt spacers facing opposite each other (Fig. 2).

### Step 3:

Insert Screen Bolt (D) into each of the two outer holes of the aligned sections (Fig. 3) and LOOSELY secure with Nuts. **HAND TIGHTEN ONLY AT THIS POINT** (Tightening Nuts will make it more difficult to align middle holes).

Align middle hole of screens and insert Bolt and fasten with Nut. **NOTE: light force may be required to get middle hole to line up so the Bolt can be inserted properly.**

### Step 4:

Repeat Steps 2 through 4 for two remaining sections of Screen with Bolt Hole (B-1, B-2).

### Step 5:

Tighten all Screen Bolts and Nuts of both completed screen sections with allen wrench and 10mm wrench.

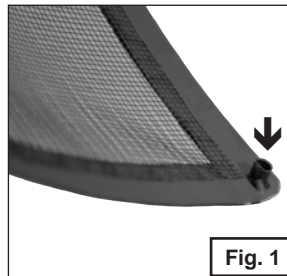


Fig. 1

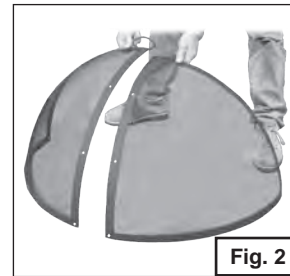


Fig. 2

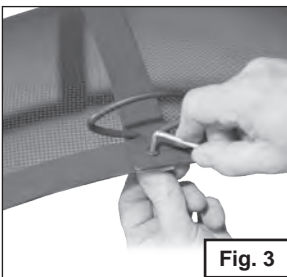


Fig. 3

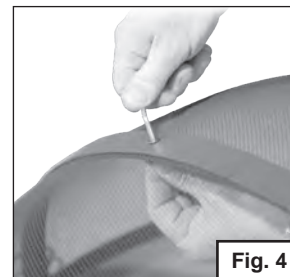


Fig. 4

## Assembly Instructions (cont.)

### Step 6:

Place completed screen sections so the handle of each is facing down and the Bolt Spacers of Screen A are aligned with Bolt Holes of Screen B (Fig. 5)

### Step 7:

Insert Hinge Bolts (C) through hinge holes and lift small screen section (Screen B) and fasten bolts with nuts (Fig. 6). **Note: there will be space between the two screen halves to allow the sections to slide past each other.** Securely fasten Nuts with wrench (Fig. 7).

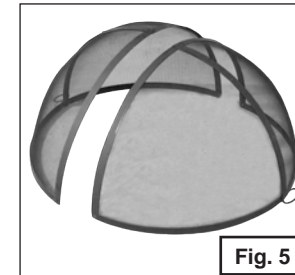


Fig. 5

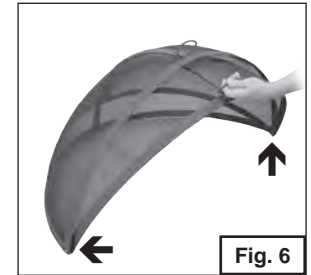


Fig. 6

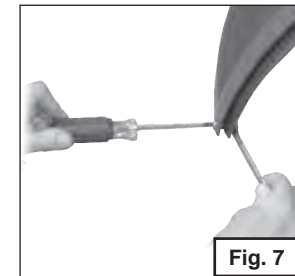
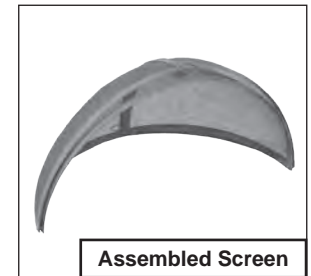


Fig. 7



Assembled Screen

## Maintenance Instructions

As with any outdoor steel product, periodic maintenance is required to return painted steel surfaces to original appearance. Remove any rust with sandpaper or steel brush and repaint with grill paint suitable for high-temperature surfaces. Follow paint manufacturer's instructions.

## WARNING!

Screen will become hot when in use! Failure to wear protective gloves when handling may lead to injury.



# Model IAFS-30 Fire Screen

**SPECIFICATION  
BULLETIN  
#SPC-FR-060  
REV. 12-14**



*Model IAFS-30 Fire Screen*



## **SPECIFICATIONS:**

- **Model IAFS-30** Fire Screen is designed to contain ash and embers in firepits while still allowing a full view of the fire. In some areas, such fire screens are required by law or regulation to prevent hot ash and glowing embers from escaping the firepit.
- The assembled screen consists of two parts, a riser, and a flat round lid.
- The riser is a 37-3/4" dia. cylindrical screen constructed of 3/4" x 9 ga. expanded steel welded to two 10 ga. formed and rolled steel rings at the top and bottom. The 13" tall ring sits atop the landscaping block of the firepit, surrounding the fire. No permanent attachment is necessary. The screen can be removed at any time to allow fire building and cleaning of the pit. The riser supports the lid above the fire allowing room for cooking on a grate. Two 1/4" dia. steel hooks are permanently attached to the riser to secure cooking grates when they are tipped up for access to the fire.
- The lid is constructed of a 3/4" x 9 ga. expanded steel screen framed by a formed and rolled 10 ga. ring. The frame fits around the top of the riser.
- Two bolt-on handles constructed of 1/2" dia. A-36 round steel bar with substantial 1/8" x 1/2" flat steel coiled spring grips suitable for public use are included to be attached to the lid to facilitate lifting. This is the only assembly required.
- Entire unit is finished with high temp, non toxic, black enamel paint.
- The IAFS-30 Fire Screen fits Models IX-27, IX-30, IX-31, and IO-30/8 firepit inserts.

## **FEATURES**

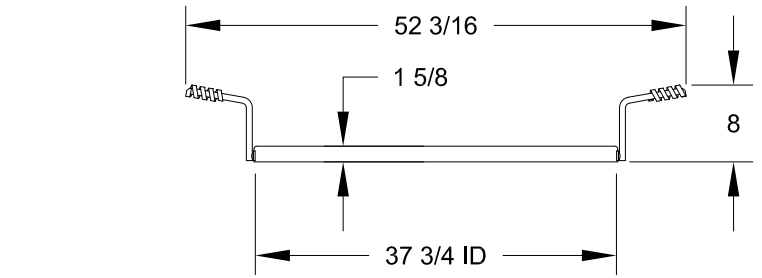
- **3/4" x 9 ga. expanded steel screen**
- **10 ga. steel framing**
- **Public use-type spring grips of coiled steel bar**
- **Two hooks for securing grates in upright position**

**RJThomas Mfg. Co., Inc.**

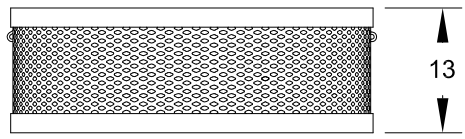
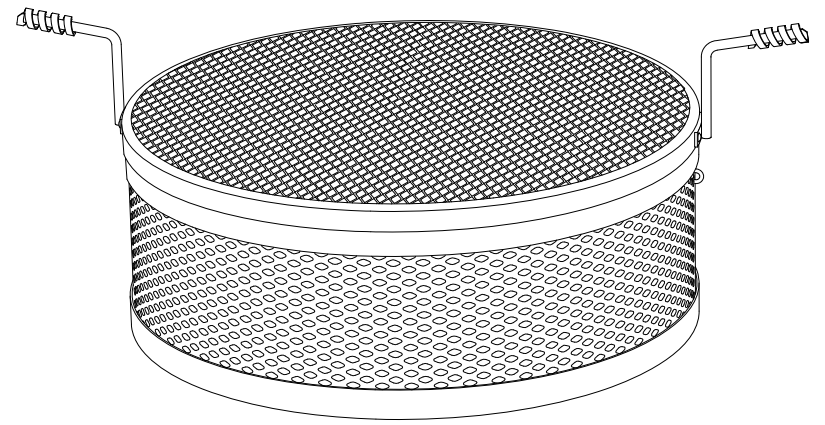
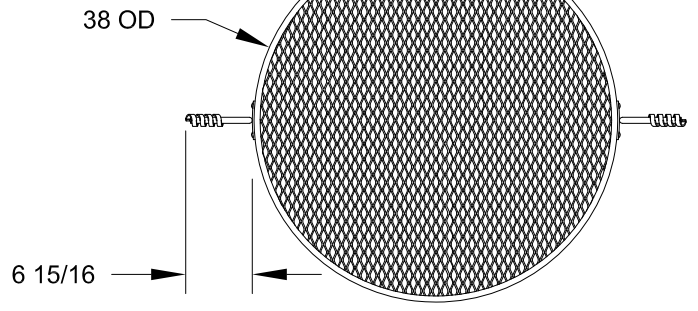
PO Box 946 • Cherokee, IA 51012-0946 • PH: 712-225-5115 • 800-762-5002 • FAX: 712-225-5796

E-Mail: [customerservice@rjthomas.com](mailto:customerservice@rjthomas.com)

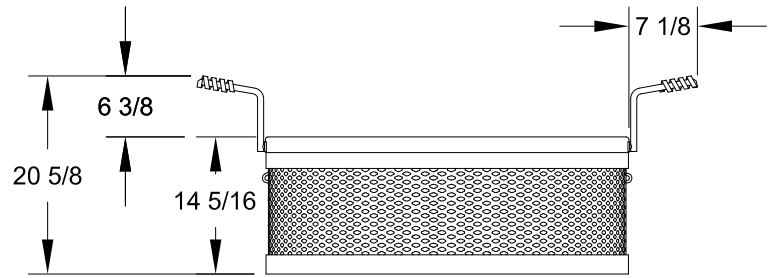
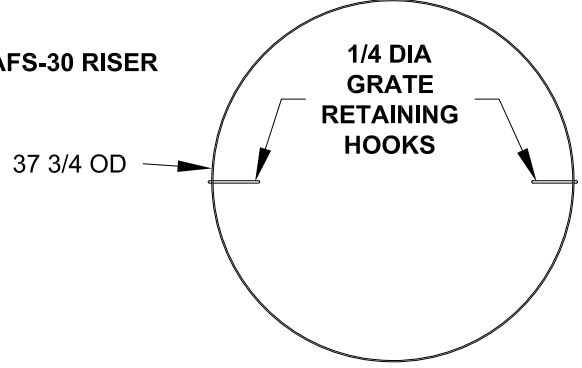
© 2015 RJThomas Mfg. Co., Inc.



**IAFS-30 LID**



**IAFS-30 RISER**



**IAFS-30 ASSEMBLY**

ALL DIMENSIONS IN INCHES

<b>RJThomas Mfg. Co., Inc.</b> P.O. Box 946 • Cherokee, IA 51012-0946	DRAWN BY <b>WWM</b>	TITLE MODEL IAFS-30 FIRE SCREEN FOR IX SERIES AND IO-30/8 FIREPIT INSERTS	DATE 12-16-14
			DWG. NO. AI-2064



# Model IAC-30 Firepit Cover

**SPECIFICATION  
BULLETIN  
#SPC-FR-059  
REV. 06-21**



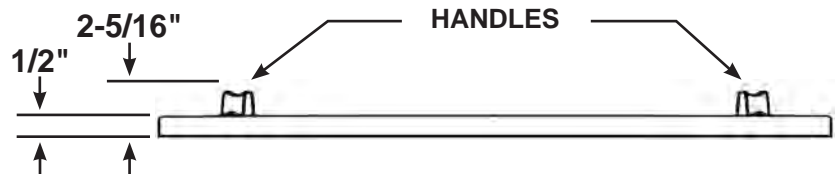
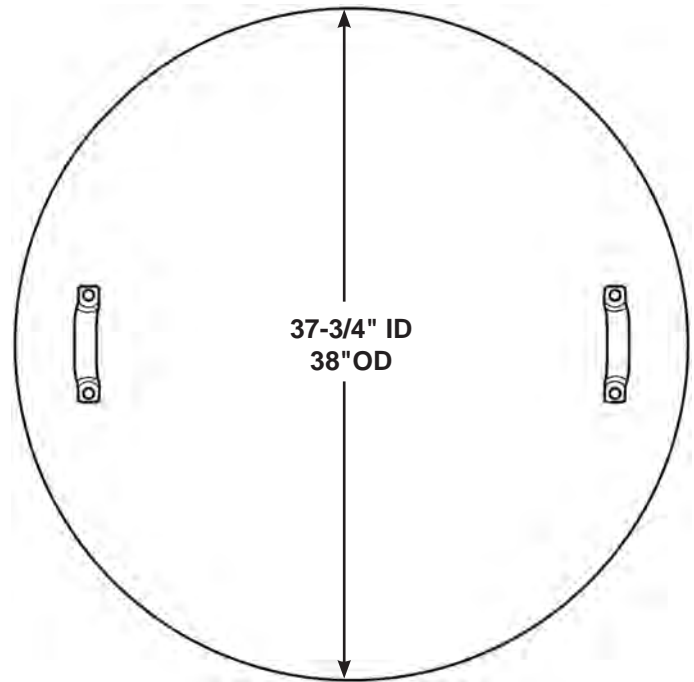
*Model IAC-30 Firepit Cover shown on a firepit constructed of landscaping stone. Landscaping stone not included.*

## **SPECIFICATIONS:**

- The **IAC-30 Firepit Cover** is designed to be placed over firepits constructed of landscaping stone or firerings for the purpose of snuffing out fires and keeping debris, snow, and rain from collecting in the pit. The cover will fit over pit openings or rings with a 37-1/2" or less diameter.
- The cover is constructed of 16 ga. pregalvanized steel with an inside diameter of 37-3/4". The outside edge of the cover has a roll-formed 1/2" downward flange.
- Two galvanized handles are mounted on the top of the cover to facilitate lifting and positioning. **CAUTION:** A cover left over a fire for a period of time can become hot causing serious burns when handled. Wear protective gloves when handling.
- Fits on firepit inserts: IO-30/8, IX-27, IX-30, and IX-31.
- The cover ships in a cardboard box, weights 17 lbs.



*Closeup detail of a handle*



## **FEATURES**

**16 ga. Pregalvanized Steel construction**

**Two handles**

**RJThomas Mfg. Co., Inc.**

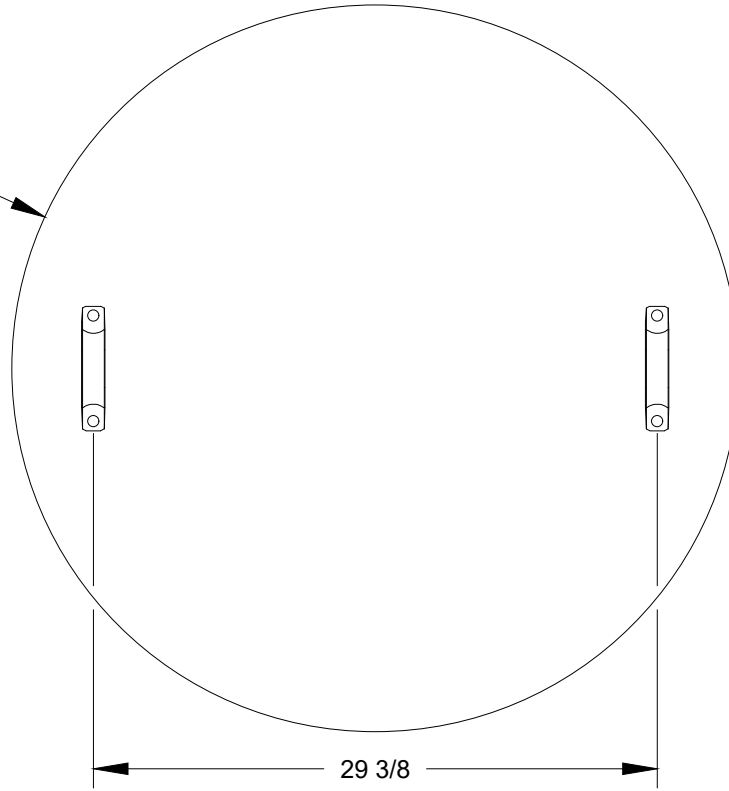
PO Box 946 • Cherokee, IA 51012-0946 • PH: 712-225-5115 • 800-762-5002 • FAX: 712-225-5796

E-Mail: [customerservice@rjthomas.com](mailto:customerservice@rjthomas.com)

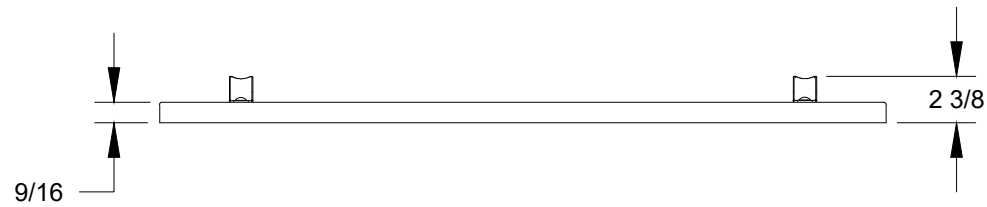
© 2021 RJ Thomas Mfg. Co., Inc.



37 7/8 OD



29 3/8



9/16

2 3/8

ALL DIMENSIONS IN INCHES

**RJThomas Mfg. Co., Inc.**  
P.O. Box 946 • Cherokee, IA 51012-0946

DRAWN BY  
**WWM**

TITLE MODEL IAC-30 FIRERING/FIREPIT COVER

DATE 06-21-2021

DWG. NO. **AI-2065**



# CIQ Series Square Firepit Covers

**SPECIFICATION BULLETIN**  
**#SPC-FR-081**  
 REV. 11-18



**Model CIQ** Square Firepit Cover shown on a firepit constructed of landscaping stone. Landscaping stone not included.



Closeup detail of a handle

## SPECIFICATIONS:

- The **CIQ Series** Square Covers are designed to be placed over square fire pits constructed of landscaping blocks with our steel fire pit inserts. The cover will keep debris, rain and snow from collecting in the pit. There are three sizes of square covers available.
- Each **CIQ Series** cover is constructed of 16 gauge pre-galvanized steel plate with die-formed edge bands. The corners are securely closed with an angle bracket and rivets.
- Two galvanized handles included.
- **CAUTION:** A cover left over a fire or embers for a period of time can become hot, causing serious burns when handled. Wear protective gloves when handling the cover.
- Fits on firepit inserts: IQ-23, IQ-27, and IQ-32.
- No Assembly required.
- The cover ships in a cardboard box.

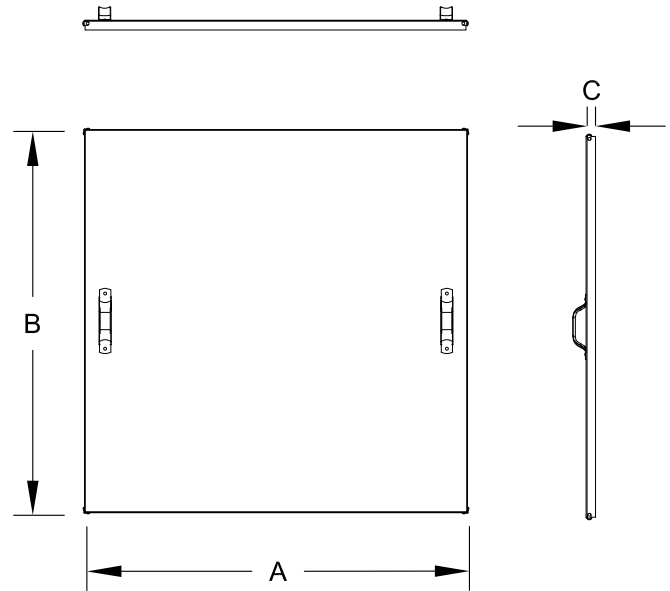
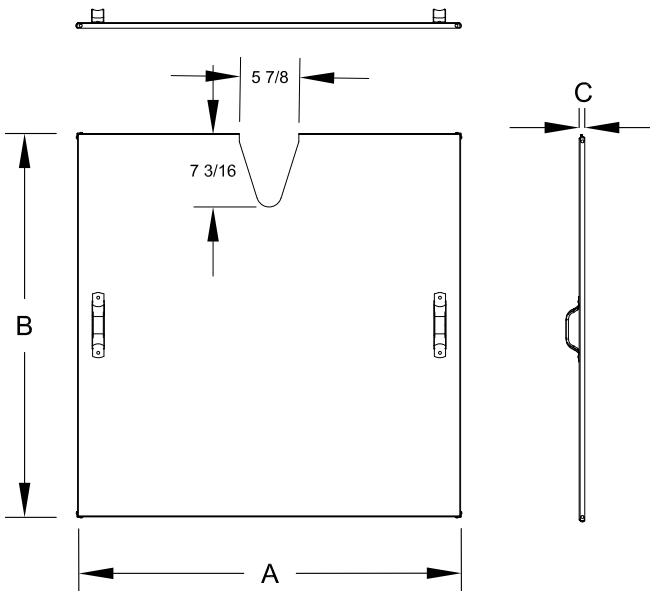
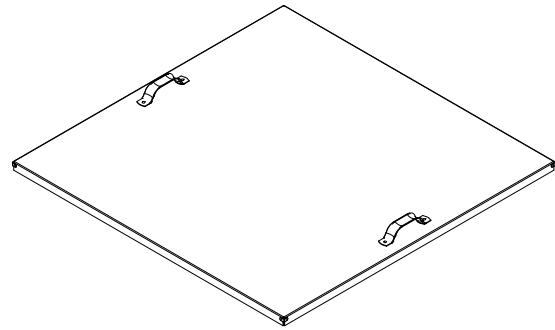
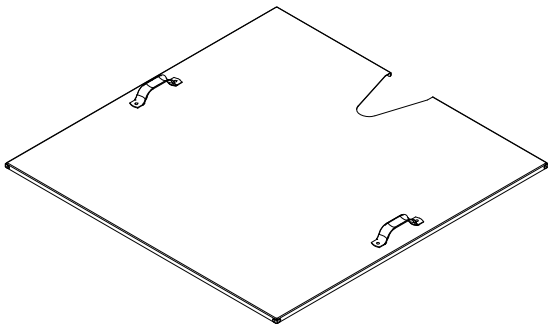
## FEATURES

**16 ga. Pregalvanized Steel construction**  
**Two handles**

Square Fire Pit Cover Model #	Use with Fire Pit Insert Model #	Cover will fit with these Cooking Grate Options	Square Cover Dimensions (inches)	Weight (lbs.)
<b>CIQX-23</b>	IQ-23 8" or 12" deep	No Grate, or with Optional <b>IQ-A</b> sliding/tip over grate	29-3/8" x 29-3/8" 1-9/16" Deep	17 lbs.
<b>CIQX-27</b>	IQ-27 8" or 12" deep	No Grate, or with Optional <b>IQ-P</b> sliding/tip over grate	33-5/8" x 33-5/8" 1-9/16" Deep	25 lbs.
<b>CIQX-32</b>	IQ-32 8" or 12" deep	No Grate, or with Optional <b>IQ-B</b> sliding/tip over grate	38-1/8" x 38-1/8" 1-9/16" Deep	28 lbs.
<b>CIQSW-23</b>	IQ-23 8" or 12" deep	Use this Cover only when your square Fire Pit has the Optional <b>I-QW2</b> swivel cooking grate.	29-3/8" x 29-3/8" 9/16" Deep	17 lbs.
<b>CIQSW-27</b>	IQ-27 8" or 12" deep		33-5/8" x 33-5/8" 9/16" Deep	25 lbs.
<b>CIQSW-32</b>	IQ-32 8" or 12" deep		38-1/8" x 38-1/8" 9/16" Deep	28 lbs.

## RJThomas Mfg. Co., Inc.

PO Box 946 • Cherokee, IA 51012-0946 • PH: 712-225-5115 • 800-762-5002 • FAX: 712-225-5796  
 E-Mail: customerservice@rjthomas.com © 2018 RJThomas Mfg. Co., Inc.



MODEL CIQSW FIREPIT COVER  
(with swivel cooking grate)

MODEL CIQX FIREPIT COVER  
(with no grate OR  
sliding/tip over grate)

	A	B	C
CIQSW-23	29-3/8	29-3/8	$\frac{9}{16}$
CIQSW-27	33-5/8	33-5/8	$\frac{9}{16}$
CIQSW-32	38-1/8	38-1/8	$\frac{9}{16}$

	A	B	C
CIQX-23	29-3/8	29-3/8	1-9/16
CIQX-27	33-5/8	33-5/8	1-9/16
CIQX-32	38-1/8	38-1/8	1-9/16

ALL DIMENSIONS IN INCHES

**RJThomas**  
Mfg. Co., Inc.  
P.O. Box 946  
Cherokee, IA 51012

TITLE  
**MODEL CIQ SERIES SQUARE FIREPIT COVERS**

DRAWN BY	<b>JGJ</b>
DATE	<b>11-20-18</b>
DWG. NO.	<b>AI-3001</b>



# Model DIG-U4 & DIG/S-U4 Drop-in Cooking Grate for Backyard Fire Pits

**SPECIFICATION BULLETIN**  
**#SPC-FR-066**  
REV. 12-18



**Model DIG-U4** Drop-in Cooking Grate. Shown with round fire pit constructed of landscaping stones without an insert.



**Model DIG-U4**  
Drop-in Cooking Grate.



**Model DIG/S-U4**  
Stainless steel drop-in cooking grate.



**Model DIG-U4** Drop-in Cooking Grate lifts out of the fire pit. Enjoy an unobstructed view of the fire or take it with you on camping trips.

## FEATURES

- **Cooking grate fits 27-31 inch diameter round fire pits or 23-27 inch inside dimension square fire pits**
- **Two handles for lifting the grate**
- **Quality construction throughout**

## SPECIFICATIONS:

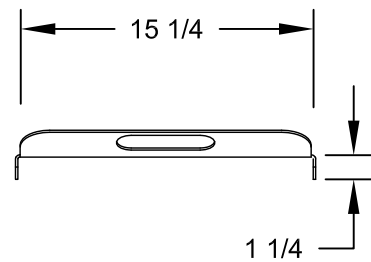
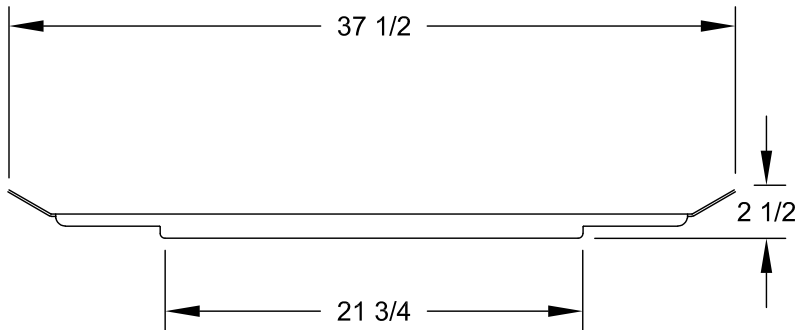
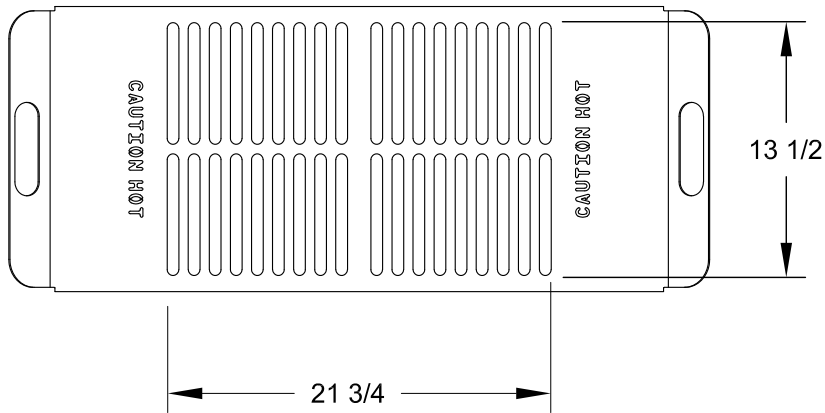
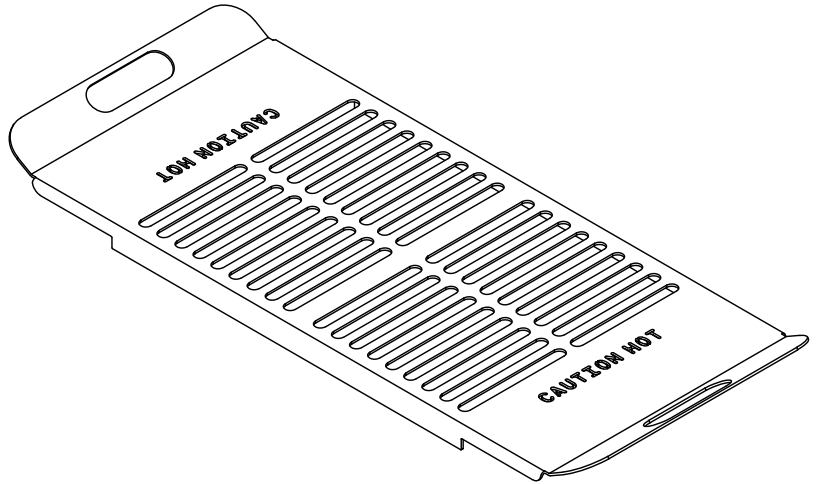
- **Model DIG-U4 & DIG/S-U4 Drop-in Cooking Grate** is a removable cooking grate designed to fit a variety of fire pits with or without steel inserts.
- The grate will fit inside:
  - **Round fire pits** with an inside diameter of 27-31 inches.
  - **Square fire pits** with an inside dimension of 23-27 inches.
- A steel insert is not required, but the grate will work equally well with inserts with the correct inside dimensions.
- **Model DIG-U4**
  - Grate is laser cut from 10 ga. steel.
  - Entire unit is finished in high temperature, heat resistant, nontoxic black enamel paint.
- **Model DIG/S-U4**
  - Grate is laser cut from 11 ga. stainless steel.
  - Not painted.
- Overall dimension are 37-1/2" x 15-1/4" x 2-1/2". Grate provides 328 square inches of cooking area.
- **No Assembly Required.**
- **Ships in one box.**
  - Weight: DIG-U4 = 18 lbs.
  - DIG/S-U4 = 16 lbs.
  - Dimensions: 15-3/4"W x 38"L x 3-1/2"H.



*Content of the box*

## RJThomas Mfg. Co., Inc.

PO Box 946 • Cherokee, IA 51012-0946 • PH: 712-225-5115 • 800-762-5002 • FAX: 712-225-5796  
E-Mail: [customerservice@rjthomas.com](mailto:customerservice@rjthomas.com) © 2018 RJThomas Mfg. Co., Inc.



ALL DIMENSIONS IN INCHES

**RJThomas**  
**Mfg. Co., Inc.**  
 P.O. Box 946  
 Cherokee, IA 51012

TITLE MODEL DIG-U4 OR DIG/S-U4 DROP-IN COOKING GRATE FOR  
 BACKYARD FIRE PITS

DRAWN BY	<b>JGJ</b>
DATE	<b>12-13-18</b>
DWG. NO.	<b>AI-3002</b>



# Model DIG-R35 Foldable Cooking Grate for Backyard Fire Pits

**SPECIFICATION  
BULLETIN**  
**#SPC-FR-067**  
REV. 08-20



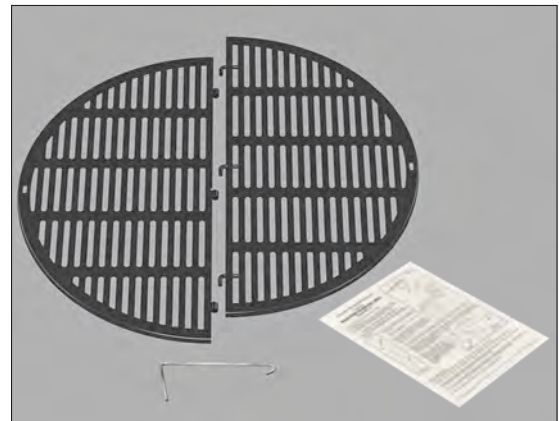
*Model DIG-R35 foldable cooking grate lifts up for easy access. (Shown with round fire pit constructed of landscaping stones without an insert).*



*Model DIG-R35 foldable cooking grate. (Shown with round fire pit constructed of landscaping stones without an insert).*

## **SPECIFICATIONS:**

- **Model DIG-R35** is a hinged, Foldable Cooking Grate designed for use on backyard fire pits.
- The two sections of this cooking grate mate together with hinge pins. It folds in half for easy transport or storage. Does not require any fasteners.
- Unfold the cooking grate to its full diameter of 34.5 inches and place on top of your fire pit. One side of the grate can be lifted up and over center. It will not fold all the way over so your food on the other half is not disturbed. The folded grate will stay in place so you have both hands free to tend to the fire on the open side. A lifting tool is included.
- All 10 ga. (.1345 inch) steel fabrication, precision laser cut. Finished with high temp, non-toxic black enamel paint. Season the grate before first use.
- Easy assembly: the two halves slip together at hinge points. No tools required.
- Made in the USA.
- **Ships in one box.**  
Shipping Weight: 25 lbs.  
Box Dimensions: 34-1/2"W x 18-5/8"L x 1-1/8"H.  
Product weight: 23 lbs.  
Product Dimensions: (folded) 34-1/2"W x 18"L x 7/8"H.  
Product Dimensions:  
(unfolded) 34-1/2"W x 35-1/4"L x 5/8"H.



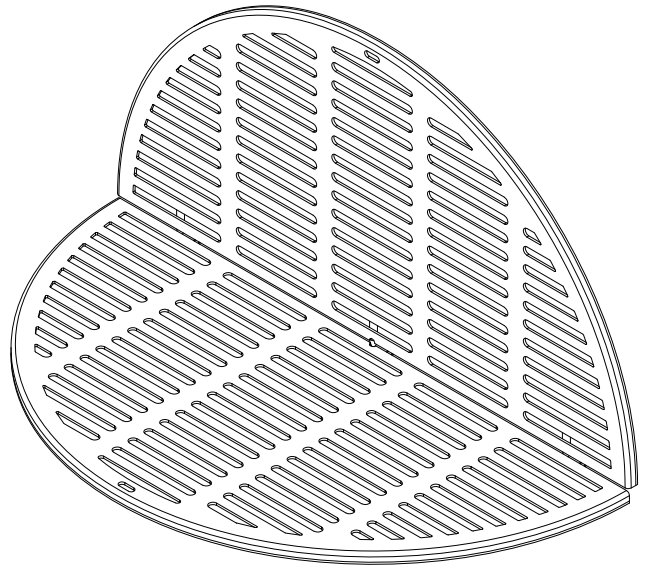
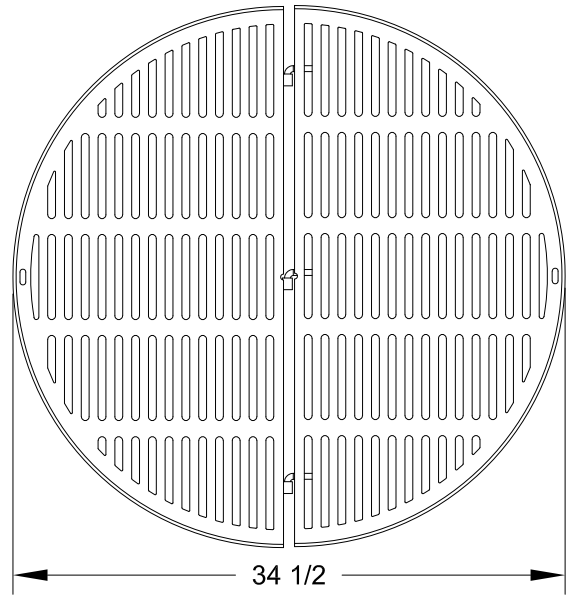
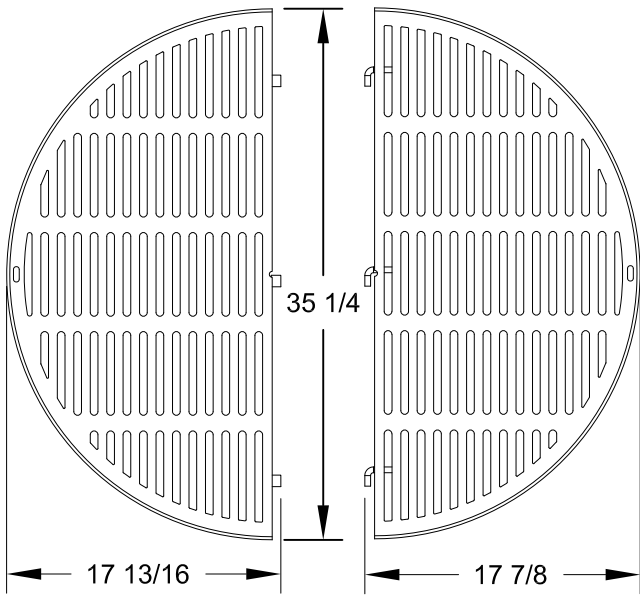
*Contents of the box*

**RJThomas Mfg. Co., Inc.**

PO Box 946 • Cherokee, IA 51012-0946 • PH: 712-225-5115 • 800-762-5002 • FAX: 712-225-5796

E-Mail: [customerservice@rjthomas.com](mailto:customerservice@rjthomas.com)

© 2020 RJ Thomas Mfg. Co., Inc.



ALL DIMENSIONS IN INCHES

**RJThomas**  
**Mfg. Co., Inc.**  
 P.O. Box 946  
 Cherokee, IA 51012

TITLE  
**MODEL DIG-R35 Foldable Cooking Grate for Backyard Fire Pits**

DRAWN BY	<b>JGJ</b>
DATE	<b>08-13-2020</b>
DWG. NO.	<b>AI-3016</b>



# Model FCS-1 Campfire Ring Clean-Out Shovel

**SPECIFICATION  
BULLETIN**  
**#SPC-FR-061**  
REV. 12-14



*Model FCS-1 Campfire Ring Clean-out Shovel*



*Straight edge fits  
against flat surfaces.*



*Curved edge fits inside wall of  
most 30-inch dia. round firering.*

## FEATURES

- **Straight or curved edges fit against flat or curved walls of firerings**
- **14 ga. scoop**
- **1/2" dia. handle with coiled steel grip**

## SPECIFICATIONS:

- **Model FCS-1 Campfire Ring Clean-Out Shovel** is designed specifically for the purpose of cleaning ash, coals, and debris out of campfire rings and fire pits without disturbing the aggregate or ground surface beneath.
- The shovel is constructed of die-formed 14 ga. steel. The 9" long, 9" wide, 3" deep scoop has a straight edge on one end that fits against flat surfaces, and a 15" radius curved edge on the other end that fits against the inside curvature of most 30" diameter round campfire rings.
- The scoop is allowed to tip on a 1/4" x 1" yoke to give the best angle when scooping. Steel fasteners are provided.
- The yoke is welded to the 1/2" dia. x 30" round steel handle with an 1/8" x 1/2" flat steel coiled spring grip.
- Overall length of shovel is 36-1/4".
- Entire unit is finished in high temperature, heat resistant, nontoxic black enamel paint.
- **Assembly Required.**
- **Ships in one box.**  
Weight: 7 lbs.  
Dimensions: 10"W x 34-1/2"L x 3-1/4"H.



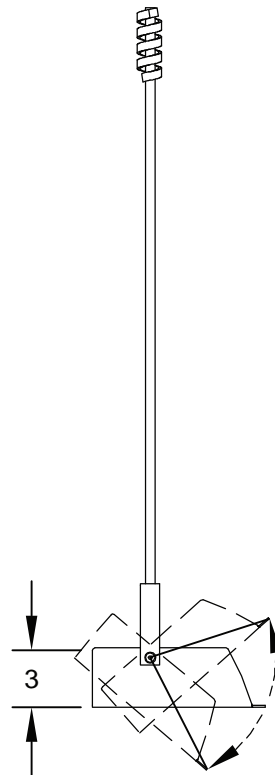
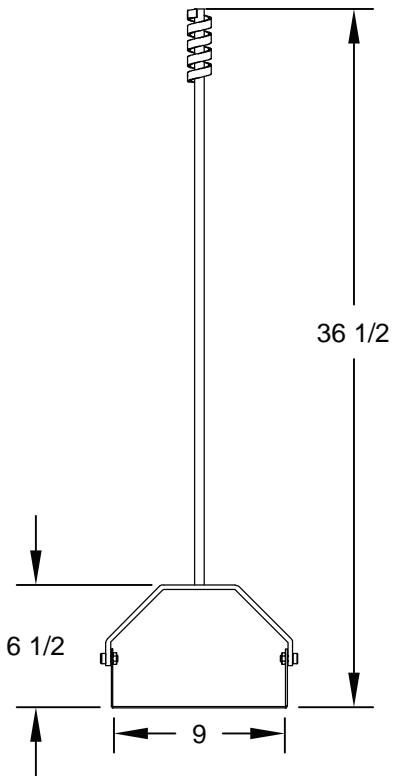
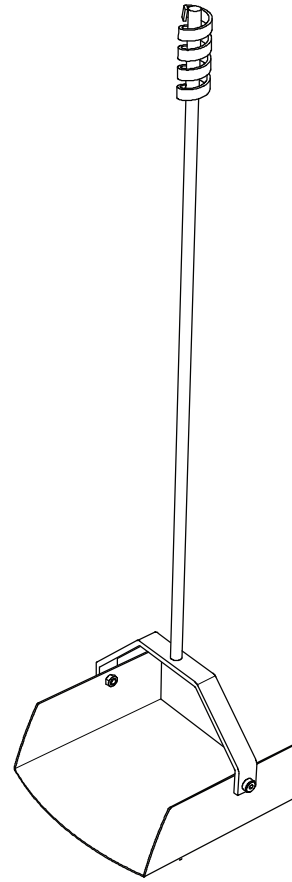
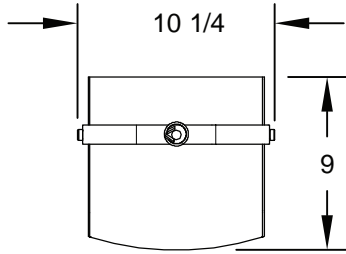
**RJThomas Mfg. Co., Inc.**

PO Box 946 • Cherokee, IA 51012-0946 • PH: 712-225-5115 • 800-762-5002 • FAX: 712-225-5796

E-Mail: [customerservice@rjthomas.com](mailto:customerservice@rjthomas.com)

© 2015 RJThomas Mfg. Co., Inc.





ALL DIMENSIONS IN INCHES

**RJThomas**  
**Mfg. Co., Inc.**  
 P.O. Box 946  
 Cherokee, IA 51012

TITLE **MODEL FCS-1 CAMPFIRE RING CLEAN-OUT SHOVEL**

DRAWN BY **WWM**

DATE **7-08-14**

DWG. NO. **AI-2059**



# IX Series Firering Insert for Landscaping Stones

**SPECIFICATION  
BULLETIN**  
**#SPC-FR-064**  
REV. 12-14



*Model IX-31 Firering Insert for landscaping stones.  
Shown with optional Model I-A bolt-on cooking grate kit.*

## FEATURES

- **27", 30", or 31" ID 10 ga. steel ring protects landscaping stones from extreme heat**
- **Raises fire to a comfortable working level**
- **Use alone as a fireplace or add optional grates for cookouts**

## AVAILABLE OPTIONS

- **1 or 2 bolt-on cooking grates**
- **Fire Screens**
- **Flat steel cover**

## SPECIFICATIONS:

- This **IX Series** steel firering insert is designed to fit inside a circular structure of landscaping stones to create a raised fire level for backyard locations. The insert creates a heat and fire barrier to protect the stones. (Note: stones should not be exposed to extreme heat without a steel liner.)
- The **IX Series Round Insert** is an 8" tall ring formed from 10 ga. steel supported by a 1-1/2" outside flange at the top of the ring resting on the top of the stones. Coarse aggregate fill (not included) provides a raised level for the fire and protects ground surfaces from heat.
- **Model IX-27** has a 27" ID.
- **Model IX-30** has a 30" ID.
- **Model IX-31** has a 31" ID.
- Entire insert unit is finished in high temperature, heat resistant, nontoxic black enamel paint.
- Overall height of the stone is at the discretion of owner (typically 20" to 24"). Stones should be assembled according manufacturer specifications.
- **Optional:** A variety of cooking grate configurations are available as a bolt-on option. Grates are constructed of 1/2" dia. A-36 steel bar spaced at 1-1/8" intervals with a 1/2" dia. A-36 steel bar perimeter frame. Grates are secured to the insert with a bolted-on 1/2" dia. A-36 steel retaining bar that allows the grate to be flipped upward for fire building or pulled back for an unobstructed view of the fire. Kit includes a 1/4" dia. steel bar hook for repositioning hot grates. One grate, or two opposing grates can be added to the insert. Order grate kits as a separate item.
  - **Model I-A bolt-on grate kit**  
(1) 12" x 21" 252 sq. in. cooking grate and brackets
  - **Model I-B bolt-on grate kit**  
(1) 12" x 33" 396 sq. in. cooking grate and brackets
- **Optional: Model IAFS-30 Fire Screen** is a heavy duty 37-3/4" dia. x 13" high expanded steel ring with an expanded steel flat top surface supported by formed steel base and top rings. Screen is removable. Screen is intended to contain ash when fireplace is in use. Fits all insert and option combinations. Weighs 60 lbs.
- **Optional: Model AD6071 Easy Access Fire Screen** dome covers entire insert, or lift one side of screen for easy access to fire or cooking grates. Fits all insert and option combinations. Weighs 17 lbs. Screen is intended to contain ash when fireplace is in use.
- **Optional: Model IAC-30 Cover** is an 18 ga. pregalvanized flat steel cover with two handles intended to cover the firepit when not in use.

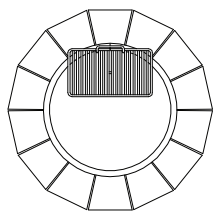
**RJThomas Mfg. Co., Inc.**

PO Box 946 • Cherokee, IA 51012-0946 • PH: 712-225-5115 • 800-762-5002 • FAX: 712-225-5796

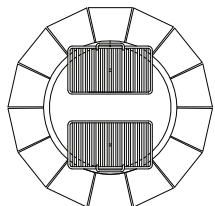
E-Mail: [customerservice@rjthomas.com](mailto:customerservice@rjthomas.com)

© 2015 RJThomas Mfg. Co., Inc.

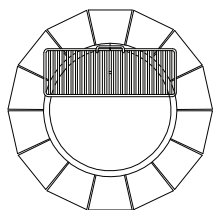
**OPTIONAL BOLT-ON GRATE CONFIGURATIONS FOR IX SERIES INSERT**



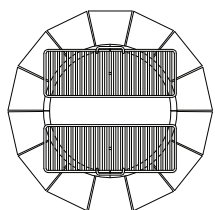
**(1) MODEL I-A GRATE KIT  
SINGLE 12" X 21" 252 SQ. IN.  
COOKING GRATE**



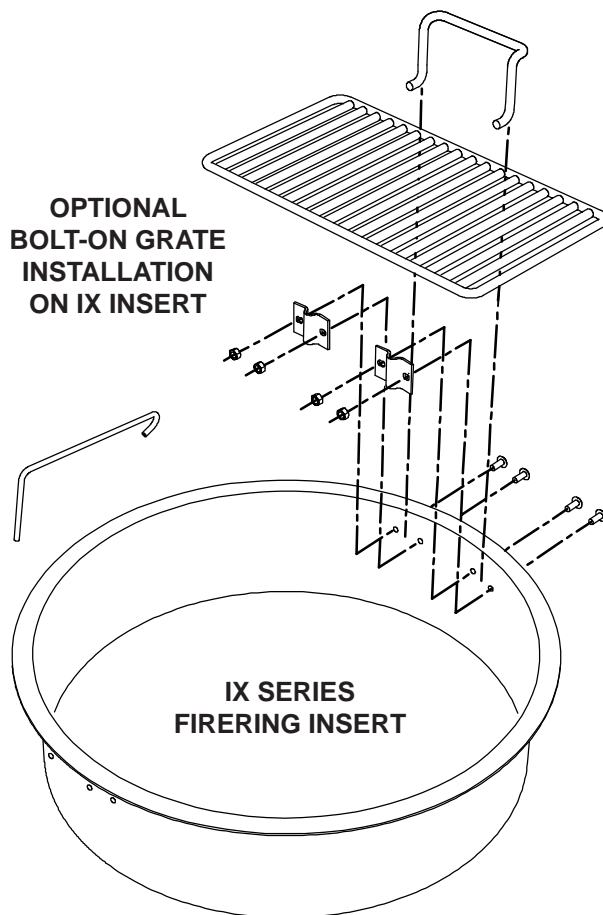
**(2) MODEL I-A GRATE KITS  
TWO 12" X 21" 252 SQ. IN.  
COOKING GRATES  
504 SQ. IN. TOTAL**



**(1) MODEL I-B GRATE KIT  
SINGLE 12" X 33" 396 SQ. IN.  
COOKING GRATES**



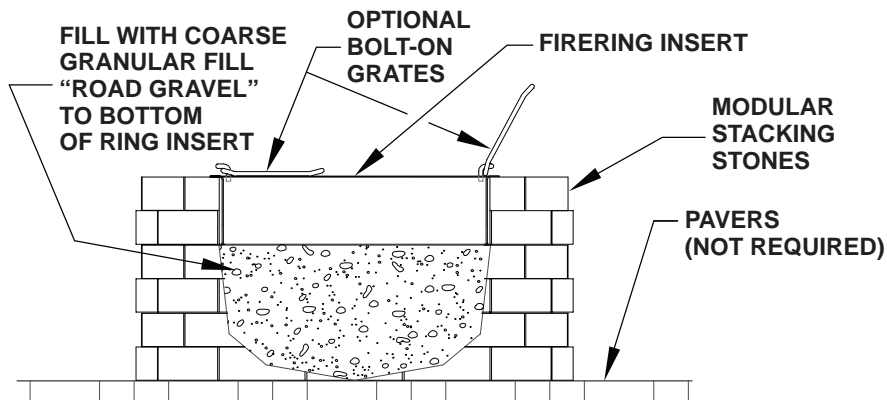
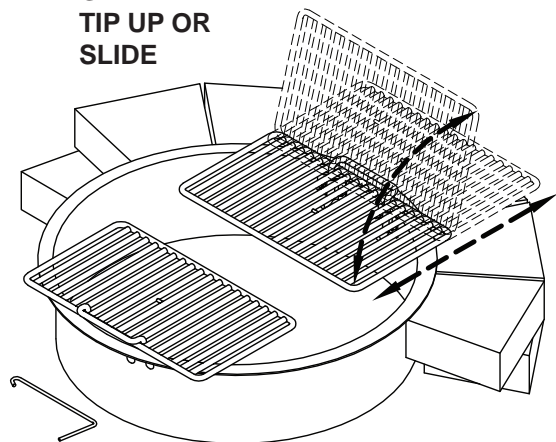
**(2) MODEL I-B GRATE KITS  
TWO 12" X 33" 396 SQ. IN.  
COOKING GRATES  
792 SQ. IN. TOTAL**



**Installation Guide**

Establish a suitable subbase by removing any organic material and replace with compactible granular aggregate. (Concrete pavers are illustrated but not required.) Use the insert as a guide to lay modular stacking stones spaced equally in a suitable circle leaving a one inch air gap between the insert and stones. Arrange stones to obtain the desired height of the firepit. Place the insert and fill the pit with coarse granular fill to the bottom of the steel insert.

**GRATE WILL  
TIP UP OR  
SLIDE**



**RJThomas Mfg. Co., Inc.**

PO Box 946 • Cherokee, IA 51012-0946 • PH: 712-225-5115 • 800-762-5002 • FAX: 712-225-5796

E-Mail: [customerservice@rjthomas.com](mailto:customerservice@rjthomas.com)

© 2015 RJThomas Mfg. Co., Inc.



# IQ Series Square Bolt Together Firepit Insert for Landscaping Stones

**SPECIFICATION  
BULLETIN**  
**#SPC-FR-058**  
REV. 02-18



**IQ Series Firepit Insert** for landscaping stones.



**Model IQ Square Firepit Insert** shown with optional **Cooking Grate** in a flipped up position for easy fire building.



**Model IQ Square Firepit Insert** shown with optional **Cooking Grate** in a slid back position to give a more "open fire" experience.



## FEATURES

- **Six sizes to choose from**
- **Steel insert protects landscaping stones from extreme heat**
- **Use alone as a firepit insert or add an optional grate for cookouts**

## AVAILABLE OPTIONS

- **23, 27, or 32 inch square models, 8 or 12 inches deep**
- **Bolt-on cooking grate**

## SPECIFICATIONS:

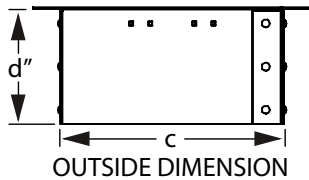
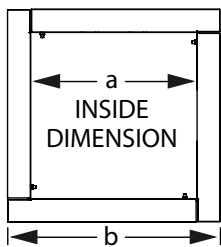
- **IQ Series** steel firepit insert is designed to fit inside a square structure of landscaping stones for backyard locations. The insert creates a heat and fire barrier to protect the stones. (Note: stones should not be exposed to extreme heat without a steel liner.)
- The **IQ Series Insert** is formed from four 12 ga. steel side panels supported by a 2"-3" outside flange at the top of the panels resting on the top of the stones. Panels bolt together at the corners.
- Insert ships unassembled for reduced packaging. Assembly required. Landscaping stones not included.
- **IQ-23 Insert** is 22-3/4" square inside dimension.
- **IQ-27 Insert** is 27-3/16" square inside dimension.
- **IQ-32 Insert** is 31-11/16" square inside dimension.
- Entire insert unit is finished in high temperature, heat resistant, nontoxic black enamel paint.
- Overall height of the stone is at the discretion of owner. The top of the stones provide a convenient work surface. Stones should be assembled allowing an approximate 1" air gap around the entire insert according to stone manufacturer's specifications. Coarse aggregate fill (not included) inside the stone structure provides a raised level for the fire and protects ground surfaces from heat.
- **Optional:** A bolt-on cooking grate is available for each model of insert. Grates are fully welded, constructed entirely of 1/2" dia. A-36 steel bar spaced at 1-1/8" intervals with a 1/2" dia. steel bar perimeter frame with two 1/2" support bars. Grates are secured to the insert with a bolted-on 1/2" dia. steel retaining bar that allows the grate to be flipped upward for fire building or pulled back for an unobstructed view of the fire. Kit includes a 1/4" dia. steel bar hook for repositioning hot grates. One grate can be added to the insert. Order grate kit as a separate item.
- **Model IQ-A bolt-on grate kit for IQ-23 Insert**  
(1) 12" x 21" 252 sq. in. cooking grate and brackets.
- **Model IQ-P bolt-on grate kit for IQ-27 Insert**  
(1) 17" x 27-7/8" 474 sq. in. cooking grate and brackets.
- **Model IQ-B bolt-on grate kit for IQ-32 Insert**  
(1) 12" x 33" 396 sq. in. cooking grate and brackets.

**RJThomas Mfg. Co., Inc.**

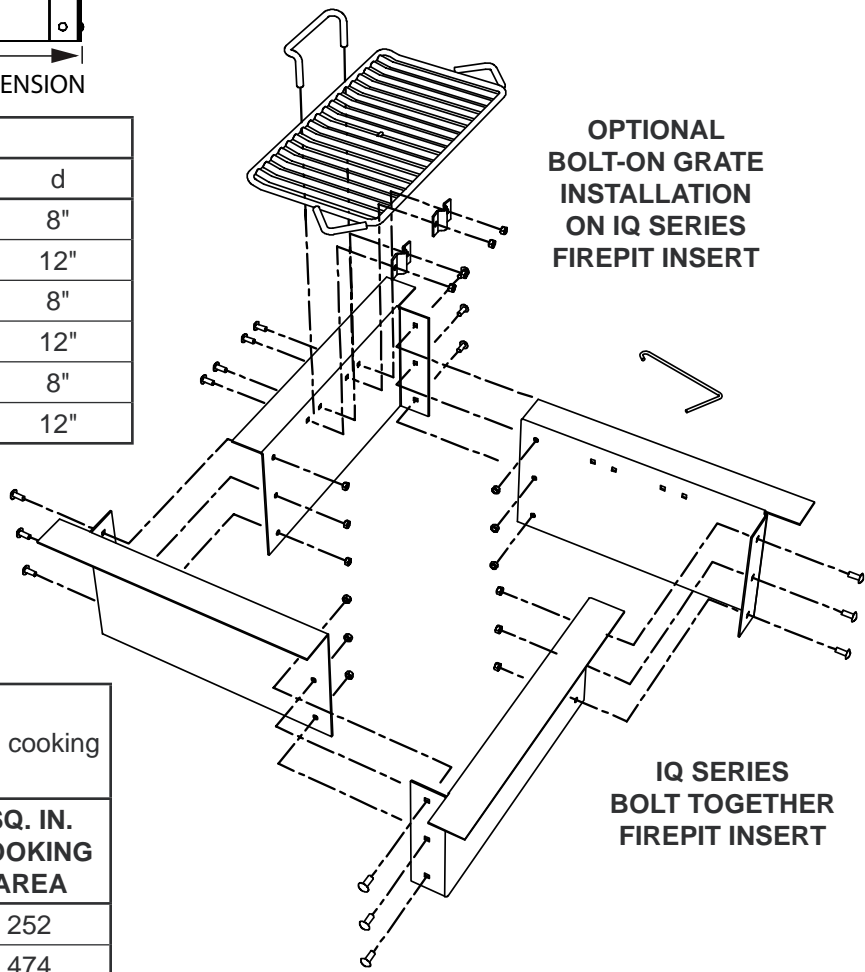
PO Box 946 • Cherokee, IA 51012-0946 • PH: 712-225-5115 • 800-762-5002 • FAX: 712-225-5796

E-Mail: [customerservice@rjthomas.com](mailto:customerservice@rjthomas.com)

© 2018 RJThomas Mfg. Co., Inc.

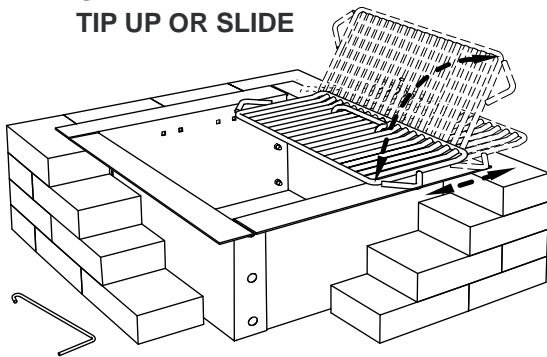


MODEL	DIMENSION			
	a	b	c	d
<b>IQ-23/8</b>	22-3/4"	27-1/8"	23-1/16"	8"
<b>IQ-23/12</b>	22-3/4"	28-7/8"	23-1/16"	12"
<b>IQ-27/8</b>	27-3/16"	33-1/4"	27-7/16"	8"
<b>IQ-27/12</b>	27-3/16"	33-1/4"	27-7/16"	12"
<b>IQ-32/8</b>	31-11/16"	37-3/4"	31-15/16"	8"
<b>IQ-32/12</b>	31-11/16"	37-3/4"	31-15/16"	12"



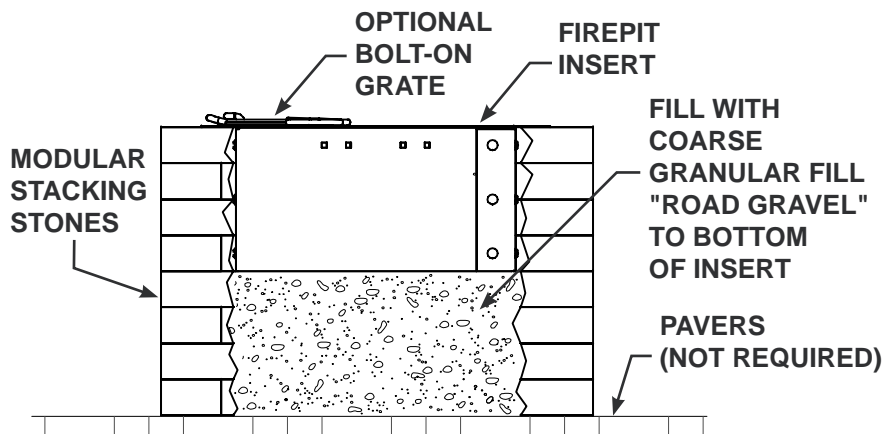
OPTIONAL COOKING GRATE KITS			
Use the table below when ordering an optional cooking grate kit. Order grate kit as a separate item.			
INSERT MODEL	USE GRATE KIT MODEL	GRATE DIMENSIONS	SQ. IN. COOKING AREA
<b>IQ-23</b>	<b>IQ-A</b>	21-1/8" X 12"	252
<b>IQ-27</b>	<b>IQ-P</b>	27-7/8" X 17"	474
<b>IQ-32</b>	<b>IQ-B</b>	33-1/8" X 12"	396

**GRATE WILL TIP UP OR SLIDE**



**Installation Guide**

Following block manufacturer guidelines, use the insert as a guide to lay stones spaced equally in a suitable square to allow an air gap of 1 inch between insert and stone. Place the insert and fill the pit with coarse granular fill to the bottom of the steel insert.





# Swivel Cooking Grate Kit for IX and IQ Backyard Firepits

**SPECIFICATION BULLETIN**  
**#SPC-FR-070**  
 REV. 11-17



**Model I-SW2 Swivel Grate Kit** shown with round firepit (sold separately)



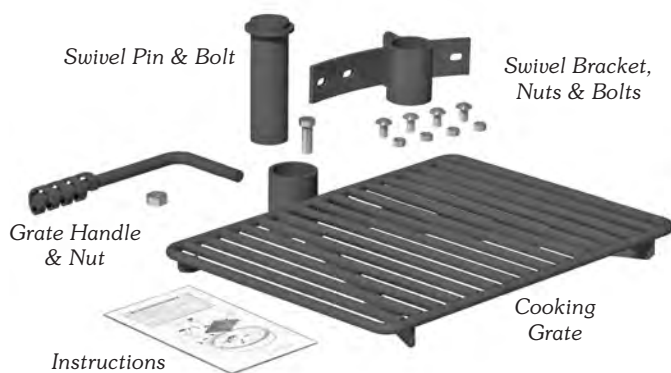
**Model I-QW2 Swivel Grate Kit** shown with square firepit (sold separately)

## SPECIFICATIONS:

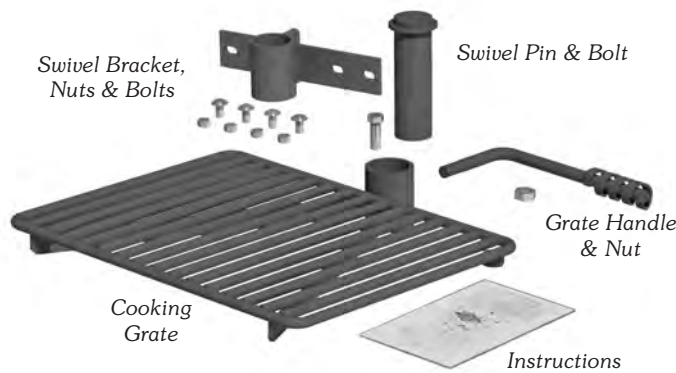
- A single-level swivel cooking grate can be added to specified round and square fire pit inserts.
- This single-level swivel cooking grate provides 300 sq. inches of cooking surface. It can travel 180 degrees – from over the fire to completely out of the fire pit. Turn the grate out of the fire pit for easy fire building and maintenance. This feature is also convenient during food preparation and serving.
- The cooking grate is a single welded component using 1/2-inch diameter steel bars, mounted on a 2-3/8" OD steel tube, allowing the grate to swivel 180 degrees. All grate bars are welded on both sides. The bolt-on operator handle includes a 1/8" x 1/2" flat bar coiled spring grip.
- The swivel grate mounting bracket is constructed of 1/4" thick steel plate and 2-3/8" OD steel tube. The swivel post is 11 ga. wall x 1.90" OD steel tube.
- All swivel grate kit components are finished with high temperature non-toxic black enamel paint.
- Some assembly is required to attach the swivel grate mounting bracket to the fire pit inside wall.
- **Model I-SW2** Swivel Cooking Grate Kit can be used with the round IX-27, IX-30 and IX-31 Firepit Inserts.
- **Model I-QW2** Swivel Cooking Grate Kit can be used with the square IQ-23, IQ-27 and IQ-32 Firepit Inserts.
- **Assembly Required.**
- **Ships in one box.**  
Weight: 25 lbs.

## FEATURES

- **Swivel feature allows for 180 degree rotation**
- **Swivel Grate offers 300 sq. inches of cooking surface**
- **Includes Bolt-On Handle**
- **Quality construction throughout**



Content of the box (Model I-SW2)



Content of the box (Model I-QW2)

## RJThomas Mfg. Co., Inc.

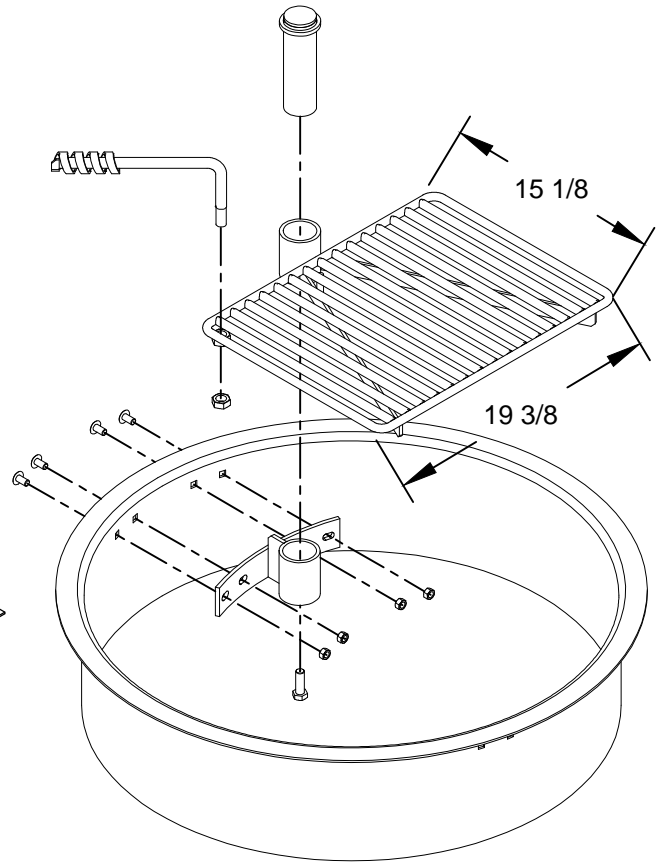
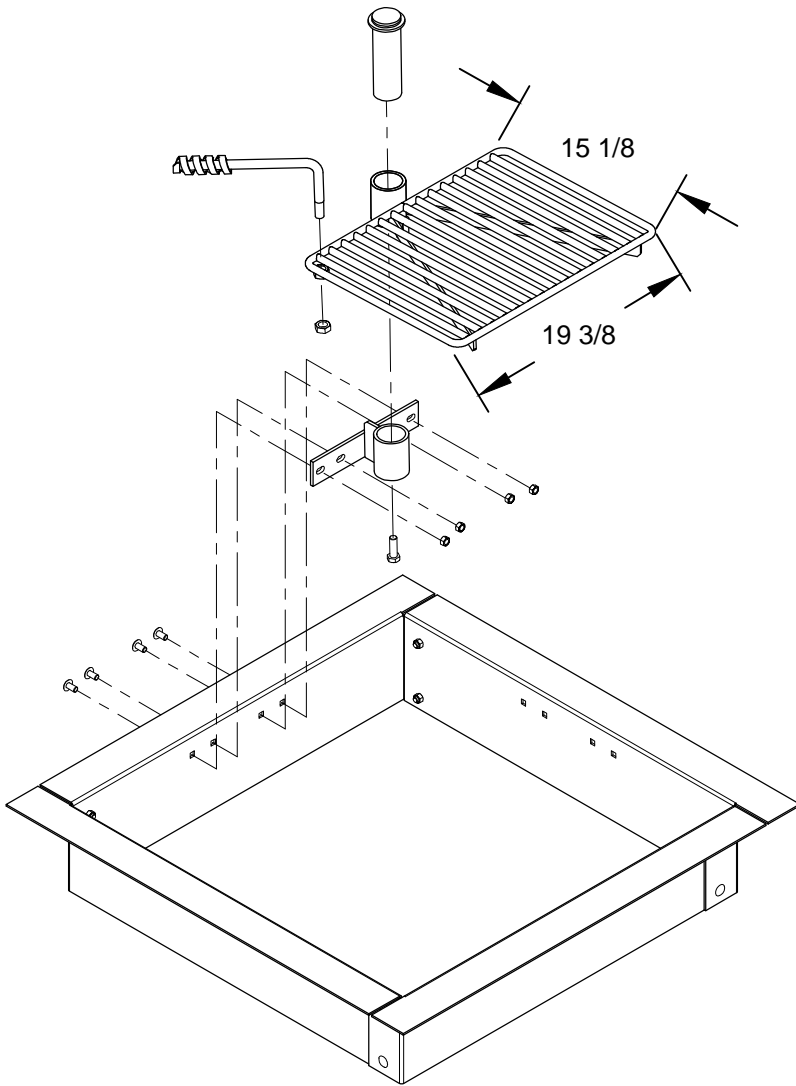
PO Box 946 • Cherokee, IA 51012-0946 • PH: 712-225-5115 • 800-762-5002 • FAX: 712-225-5796  
 E-Mail: [customerservice@rjthomas.com](mailto:customerservice@rjthomas.com) © 2017 RJThomas Mfg. Co., Inc.

**MODEL I-QW2 Swivel  
Cooking Grate Kit**

Use With Square Firepit Inserts: (sold separately)
IQ-23
IQ-27
IQ-32

**MODEL I-SW2 Swivel  
Cooking Grate Kit**

Use With Round Firepit Inserts: (sold separately)
IX-27
IX-30
IX-31



ALL DIMENSIONS IN INCHES

**RJThomas  
Mfg. Co., Inc.**  
P.O. Box 946  
Cherokee, IA 51012

TITLE

**MODEL I-SW2 Round Swivel Cooking Grate Insert  
MODEL I-QW2 Square Swivel Cooking Grate Insert**

DRAWN BY

**JGJ**

DATE

**09-29-17**

DWG. NO.

**AI-2089**



# Single Level Tip Over/Removable Cooking Grate Kit for IX Round and IQ Square Backyard Firepits

**SPECIFICATION  
BULLETIN  
#SPC-FR-071  
REV. 11-18**



**Model I-RS Removable Cooking Grate Kit** shown with round firepit (sold separately)

## FEATURES

- **Grate easily tips in/out of firering**
- **Grate can be completely removed from firepit**
- **Handles are tilted up at 15° angle**

## SPECIFICATIONS:

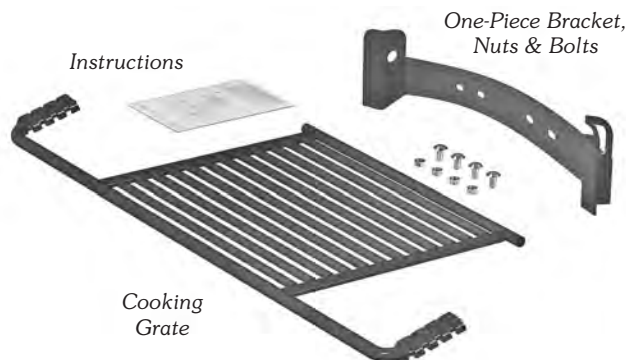
- A single-level tip-over cooking grate can be added to two IX Series round and three IQ Series square firepit inserts.
- This single-level tip-over cooking grate provides 290 sq. inches of cooking surface. It can lay over the fire or be tipped over and out of the firering. The hinge/pivot bracket is bolted to the inside of the fire pit insert (*available only on inserts manufactured after 01/01/2018*). When you don't need the cooking grate it can easily be removed from the hinge/pivot bracket.
- The cooking grate is a single welded component using a 5/8" diameter steel perimeter, 1/2-inch dia. steel grate bars and a 3/4" dia. handle bar. The handle bar also supports the cooking grate on the insert's top flange. All grate bars are welded on both sides. The operator handle includes two 1/8"x 1/2" flat bar coiled spring grips.
- All grate kit components are finished with high temperature non-toxic black enamel paint.
- Some assembly is required to attach the cooking grate hinge/pivot brackets to the fire pit inside wall.
- **Model I-RS** Single Level Removable Cooking Grate Kit can be used with the round IX-30 and IX-31 Firepit Inserts.
- **Model IQ-RS** Single Level Removable Cooking Grate Kit can be used with the square IQ-23, IQ-27 and IQ-32 Firepit Inserts.
- **Assembly Required.**
- **Ships in one box.**  
Weight: 27 lbs.



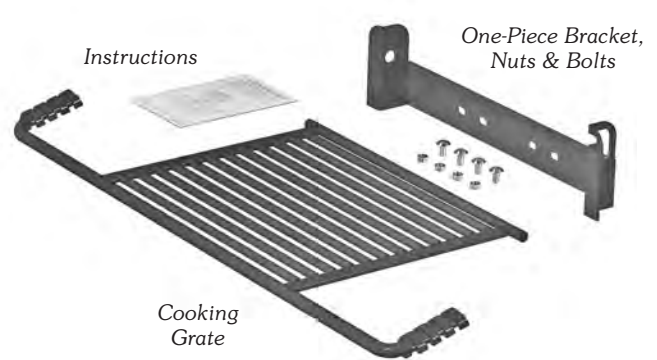
**Model I-RS Removable Cooking Grate Kit** shown with round firepit (sold separately)



**Model IQ-RS Removable Cooking Grate Kit** shown with square firepit (sold separately)



**Contents of the box (Model I-RS)**



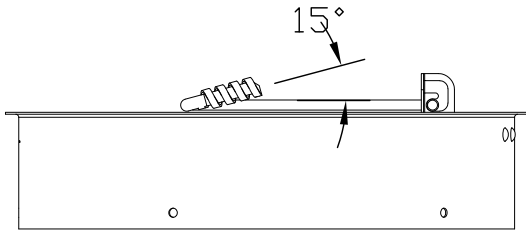
**Contents of the box (Model IQ-RS)**

**RJThomas Mfg. Co., Inc.**

PO Box 946 • Cherokee, IA 51012-0946 • PH: 712-225-5115 • 800-762-5002 • FAX: 712-225-5796  
E-Mail: [customerservice@rjthomas.com](mailto:customerservice@rjthomas.com) © 2018 RJThomas Mfg. Co., Inc.

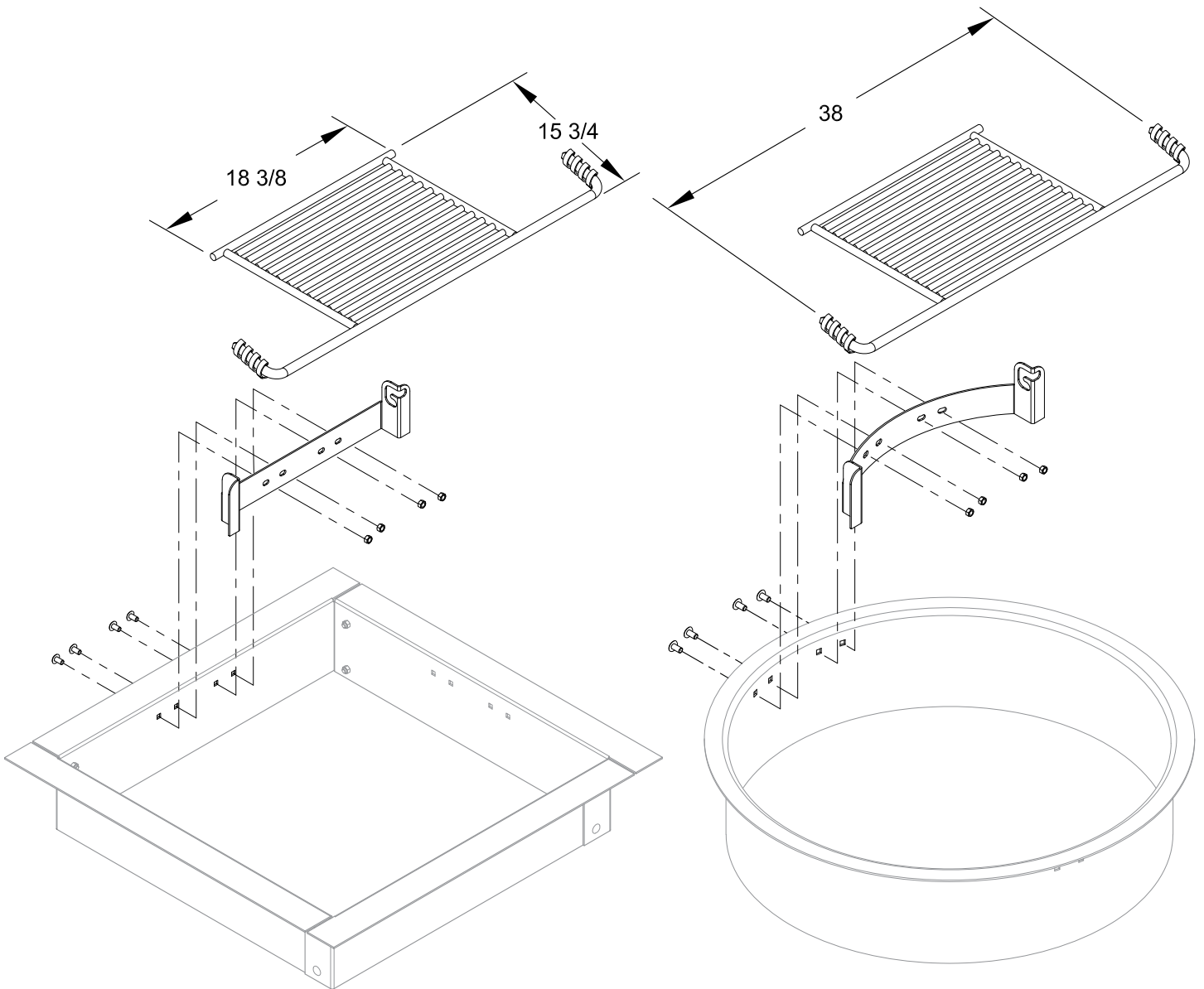


Removable Cooking Grate Kit  
 Use only with NEW Firepit inserts:  
 (sold separately)



HANDLES ARE TILTED UP 15°  
 (SIDE VIEW)

IQ-RS (square insert)	I-RS (round insert)
IQ-23	IX-30
IQ-27	IX-31
IQ-32	



ALL DIMENSIONS IN INCHES

**RJThomas**  
**Mfg. Co., Inc.**  
 P.O. Box 946  
 Cherokee, IA 51012

TITLE  
**MODELS I-RS & IQ-RS Removable Single Level/Tip Over  
 Bolt-On Cooking Grate Kit**

DRAWN BY	<b>JGJ</b>
DATE	<b>11-12-18</b>
DWG. NO.	<b>AI-2090</b>

## Retail Vendor Price List... Effective Jan. 1, 2024

<b>CHARCOAL GRILLS</b>	<b>Item Description</b>	<b>Wt. per Unit (lbs.)</b>	<b>MSRP (USD)</b>	<b>Pallet Quantity</b>	<b>Vendor Price per Unit (USD)</b> <i>no minimum order</i>
<b>Item Model No.</b> <i>Spec Bulletin #</i>					
<b>H-16 B6X2</b> <i>SPC-GR-039</i>	16 Inch Wide Multilevel Park Grill, two piece base post	67	\$197.00	24	<b>\$153.00</b>
<b>CBP-135</b> <i>SPC-GR-037</i>	20 Inch Wide Multilevel Park Grill, two piece base post	50	\$221.00	30	<b>\$122.00</b>
<b>CBP-247</b> <i>SPC-GR-038</i>	24 Inch Wide Multilevel Park Grill, two piece base post	68	\$309.00	15	<b>\$170.00</b>

<b>GRILL ACCESSORIES</b>	<b>Item Description</b>	<b>Wt. per Unit (lbs.)</b>	<b>MSRP (USD)</b>	<b>Pallet Quantity</b>	<b>Vendor Price per Unit (USD)</b> <i>no minimum order</i>
<b>Item Model No.</b> <i>Spec Bulletin #</i>					
<b>CBP-TGP1</b> <i>SPC-GR-035</i>	Tailgate post that slides into 2 inch reciever vehicle hitch	12	\$88.00	50	<b>\$48.00</b>

Make Purchase Orders and Payments to: R. J. Thomas Mfg. Co., Inc.

**PRICE:** All prices are F.O.B. Cherokee, Iowa. Prices subject to change without notice. Quantity discounts and freight allowance available.

**TERMS:** Net due 30 days from date of invoice to those with established credit. First time orders and others: prepayment in full before shipment. Finance charges after 30 days. Payment by credit card is accepted.

**FREIGHT:** Prepaid and added to the invoice, or third-party billed. Weights listed are approximate and do not include packaging. Shipment will be made by the quickest, most economical and practical means possible. Call for freight estimate.

**SPECIFICATIONS:** Specifications were in effect when printing this catalog. Since product improvements are always being made, we reserve the right to change designs, specifications and discontinue products without notice. Where changes have been made, revised products will be shipped unless specific arrangements have been made to the contrary.

**LEAD TIMES:** We encourage you to order as early as possible. Our usual lead times run four weeks to eight weeks. Lead time will also vary based on quantity ordered.

**ADDITIONAL INFORMATION:** Contact us if you require additional information on product specifications, assembly, or installation.

**RETURN POLICY:** No returns are accepted without prior approval. Call Customer Service for a Return Authorization (RA) number. Requests must be made within thirty days of receipt of product. No returns will be accepted after thirty days. Products must be returned in original packaging, must not be used or damaged, and must be in resalable condition. Returns may be subject to a restocking charge. Return freight must be prepaid.

**ORDER CANCELLATION:** Orders may be cancelled prior to shipment. Conditions will vary. Orders cancelled after shipment are subject to return freight charges and restocking fees.

## Retail Vendor Price List... Effective Jan. 1, 2024

<b>FIREPIT INSERTS</b>					
<b>Item Model No.</b> <i>Spec Bulletin #</i>	<b>Item Description</b>	<b>Wt. per Unit (lbs.)</b>	<b>MSRP (USD)</b>	<b>Pallet Quantity</b>	<b>Vendor Price per Unit (USD)</b> <i>no minimum order</i>
<b>IO-30/8</b> SPC-FR-065	Bolt Together OctaRing Firering/Insert	37	\$232.00	45	<b>\$127.00</b>
<b>IX-27</b> SPC-FR-064	27 Inch Round Firepit Insert	32	\$210.00	8	<b>\$116.00</b>
<b>IX-30</b> SPC-FR-064	30 Inch Round Firepit Insert	34	\$210.00	8	<b>\$116.00</b>
<b>IX-31</b> SPC-FR-064	31 Inch Round Firepit Insert	35	\$210.00	8	<b>\$116.00</b>
<b>IQ-23/8</b> SPC-FR-058	23 Inch Square Bolt-Together Firepit Insert, 8 Inches Deep	31	\$214.00	50	<b>\$117.00</b>
<b>IQ-27/8</b> SPC-FR-058	27 Inch Square Bolt-Together Firepit Insert, 8 Inches Deep	40	\$274.00	50	<b>\$151.00</b>
<b>IQ-32/8</b> SPC-FR-058	32 Inch Square Bolt-Together Firepit Insert, 8 Inches Deep	46	\$316.00	50	<b>\$174.00</b>
<b>IQ-23/12</b> SPC-FR-058	23 Inch Square Bolt-Together Firepit Insert, 12 Inches Deep	47	\$321.00	50	<b>\$177.00</b>
<b>IQ-27/12</b> SPC-FR-058	27 Inch Square Bolt-Together Firepit Insert, 12 Inches Deep	55	\$376.00	50	<b>\$207.00</b>
<b>IQ-32/12</b> SPC-FR-058	32 Inch Square Bolt-Together Firepit Insert, 12 Inches Deep	85	\$430.00	25	<b>\$237.00</b>
<b>IHSS-22/6 DIG/S-3</b> with Drop In Grate SPC-FR-069	Snap Together Stainless Steel Firepit Insert with DIG/S-3 Drop In Grate	18 <i>(w/ grate)</i>	\$275.00	25	<b>\$152.00</b>
<b>IHSS-22/6</b> with no Grate SPC-FR-069	Snap Together Stainless Steel Firepit Insert without Drop In Grate	10 <i>(no grate)</i>	\$162.00	25	<b>\$89.00</b>
<b>IOSS-31/6</b> SPC-FR-068	Snap Together Stainless Steel Firepit Insert	12	\$194.00	25	<b>\$107.00</b>

## Retail Vendor Price List... Effective Jan. 1, 2024

<b>FIREPIT ACCESSORIES</b>		<b>Item Description</b>	<b>Use with:</b>	<b>Wt. per Unit (lbs.)</b>	<b>MSRP (USD)</b>	<b>Pallet Quantity</b>	<b>Vendor Price per Unit (USD)</b> <i>no minimum order</i>
<b>Item Model No.</b>	<b>Spec Bulletin #</b>						
<b>AD6071</b>		Dome Mesh Firescreen	IO-30/8, IX-27, IX-30, IX-31	37	\$290.00	10	<b>\$194.00</b>
<b>SPC-FR-063</b>							
<b>IACS-30</b>		Expanded Steel Firescreen		60	\$446.00	6	<b>\$248.00</b>
<b>SPC-FR-060</b>							
<b>IAC-30</b>		Firepit Cover - Round	IO-30/8, IX-27, IX-30, IX-31	17	\$220.00	12	<b>\$122.00</b>
<b>SPC-FR-059</b>							
<b>DIG-U4</b>		Drop-in Grate	IO-30/8, IX-27, IX-30, IX-31, IQ-23, IQ-27, IQ-32	23	\$170.00	48	<b>\$94.00</b>
<b>SPC-FR-066</b>							
<b>DIG/S-U4</b>		Drop-in Grate Stainless Steel		20	\$215.00	48	<b>\$119.00</b>
<b>SPC-FR-066</b>							
<b>DIG-R35</b>		Foldable Cooking Grate	All IX, IO-30/8	25	\$182.00	48	<b>\$100.00</b>
<b>SPC-FR-067</b>							
<b>FCS-1</b>		Ash Shovel	All Inserts	7	\$88.00	24	<b>\$48.00</b>
<b>SPC-FR-061</b>							
<b>I-A</b>		12 x 21 In. (252 Sq. In.) Bolt-on Grate	IX-27, IX-30, IX-31	17	\$131.00	32	<b>\$72.00</b>
<b>SPC-FR-064</b>							
<b>I-B</b>		12 x 33 In. (396 Sq. In.) Bolt-on Grate	IX-27, IX-30, IX-31	25	\$177.00	32	<b>\$98.00</b>
<b>SPC-FR-064</b>							
<b>IQ-A</b>		12 x 21 In. (252 Sq. In.) Bolt-on Grate	IQ-23/8, IQ-23/12	17	\$131.00	32	<b>\$72.00</b>
<b>SPC-FR-058</b>							
<b>IQ-P</b>		17 x 28 In. (424 Sq. In.) Bolt-on Grate	IQ-27/8, IQ-27/12	26	\$177.00	32	<b>\$98.00</b>
<b>SPC-FR-058</b>							
<b>IQ-B</b>		12 x 33 In. (396 Sq. In.) Bolt-on Grate	IQ-32/8, IQ-32/12	25	\$177.00	32	<b>\$98.00</b>
<b>SPC-FR-058</b>							
<b>I-SW2</b>		Swivel Cooking Grate for Round Firepit Inserts	IX-27, IX-30, IX-31	24	\$184.00	24	<b>\$102.00</b>
<b>SPC-FR-070</b>							
<b>I-QW2</b>		Swivel Cooking Grate for Square Firepit Inserts	IQ-23, IQ-27, IQ-32	24	\$184.00	24	<b>\$102.00</b>
<b>SPC-FR-070</b>							

## Retail Vendor Price List... Effective Jan. 1, 2024

<b>FIREPIT ACCESSORIES</b>		<b>Item Description</b>	<b>Use with:</b>	<b>Wt. per Unit (lbs.)</b>	<b>MSRP (USD)</b>	<b>Pallet Quantity</b>	<b>Vendor Price per Unit (USD)</b> <i>no minimum order</i>
<b>Item Model No.</b>	<b>Spec Bulletin #</b>						
<b>CIQX-23</b>		Firepit Cover - Square	IQ-23 Insert with no grate, OR with optional IQ-A sliding / tip-over grate. 8" or 12" deep.	17	\$238.00	12	<b>\$131.00</b>
<i>SPC-FR-081</i>							
<b>CIQX-27</b>		Firepit Cover - Square	IQ-27 Insert with no grate, OR with optional IQ-P sliding / tip-over grate. 8" or 12" deep.	25	\$238.00	12	<b>\$131.00</b>
<i>SPC-FR-081</i>							
<b>CIQX-32</b>		Firepit Cover - Square	IQ-32 Insert with no grate, OR with optional IQ-B sliding / tip-over grate. 8" or 12" deep.	28	\$238.00	12	<b>\$131.00</b>
<i>SPC-FR-081</i>							
<b>CIQSW-23</b>		Firepit Cover - Square	IQ-23 Insert, equipped with optional I-QW2 swivel grate. 8" or 12" deep.	17	\$238.00	12	<b>\$131.00</b>
<i>SPC-FR-081</i>							
<b>CIQSW-27</b>		Firepit Cover - Square	IQ-27 Insert, equipped with optional I-QW2 swivel grate. 8" or 12" deep.	25	\$238.00	12	<b>\$131.00</b>
<i>SPC-FR-081</i>							
<b>CIQSW-32</b>		Firepit Cover - Square	IQ-32 Insert, equipped with optional I-QW2 swivel grate. 8" or 12" deep.	28	\$238.00	12	<b>\$131.00</b>
<i>SPC-FR-081</i>							
<b>I-RS</b>		Removable Single Level/Tip Over Bolt-on Grate Kit	IX-30, IX-31	27	\$172.00	25	<b>\$95.00</b>
<i>SPC-FR-071</i>							
<b>IQ-RS</b>		Removable Single Level/Tip Over Bolt-on Grate Kit	IQ-23, IQ-27, IQ-32	27	\$172.00	25	<b>\$95.00</b>
<i>SPC-FR-071</i>							