



*Model B94/CW-6PC34 Surface Mount Bench
with Black Powder Coat Frames, 6 Ft. long
with Yellow recycled plastic seat timbers.*

- **Comfortable contour seat design**
- **Frame design includes comfortable armrests**
- **Sturdy cast aluminum end frames Formed and welded steel brace components**
- **Powder Coat frame finish**
- **100% Recycled Plastic 3" x 4" Timbers**
- **Easy bolt together assembly**
- **Quality construction throughout**

SPECIFICATIONS:

- **Model B94 Series** end frames are a one-piece molded cast aluminum construction with armrests incorporated into the design.
- Frames are supported by a horizontal brace of 1.9" O.D. x 11 ga. wall steel pipe.
- 6 and 8 foot models include a center vertical support that connects all seat timbers and the horizontal brace to prevent deflection of timbers.
- Bench is designed to be permanently surface mounted using 9/16" dia. holes provided in each leg foot for use with anchors (anchors not included).
- **Model B94-4** is a nom. 4 ft. in length.
- **Model B94-6** is a nom. 6 ft. in length.
- **Model B94-8** is a nom. 8 ft. in length.
- Seat timbers attach to end frame by means of a 7 ga. formed and welded bracket.
- **Standard:** All steel and cast aluminum frame components are finished in Black powder coat (indicated by "/CB" in model no., e.g. B94/CB-4PC34).
- **Standard:** Contour seat is made of 100% Recycled Plastic molded into 3" x 4" nominal sized timbers with solid Cedar color (indicated by "PC" in model no., e.g. B94/CB-4PC34) formed throughout and a U.V. stabilizer added for ultra-violet protection. All timbers are precision drilled for assembly and all edges have a molded 3/8" radius with a bullnose profile timber used on outside positions.
- All fasteners are provided for assembly.
- **Optional:** Color choices of powder coated steel frame components. For optional colors choices see Specification Bulletin #SPC-CO-001.
- **Optional:** Color choices of recycled plastic timbers. For optional colors choices see Specification Bulletin #SPC-CO-001.

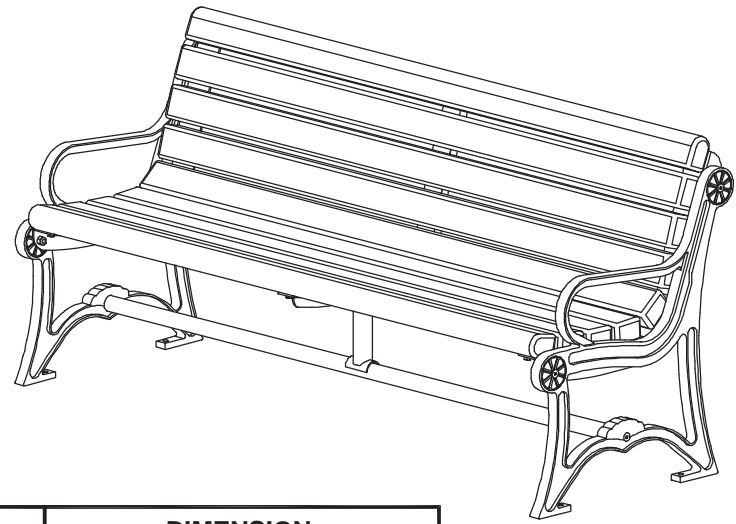
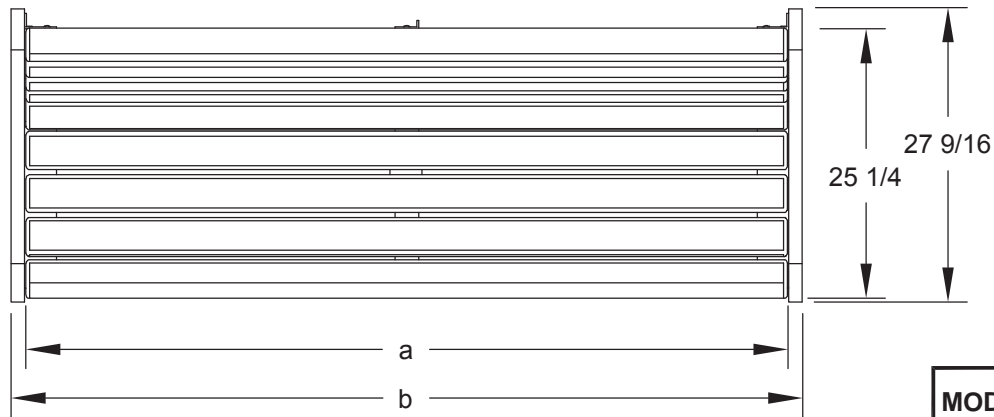
AVAILABLE OPTIONS

- **4', 6', or 8' models**
- **Choice of colors of Powder Coat Finish**
- **Choice of colors of Recycled Plastic**

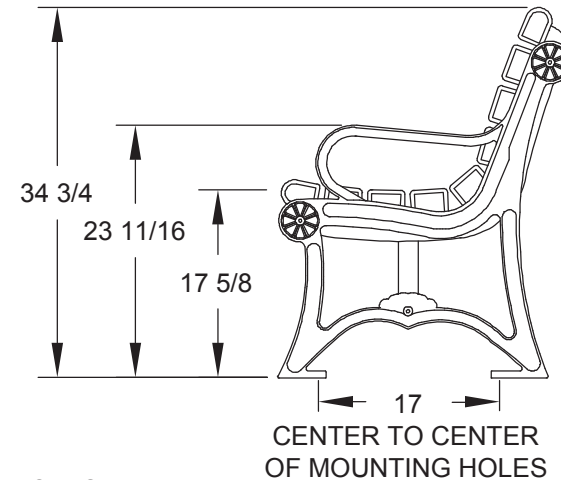
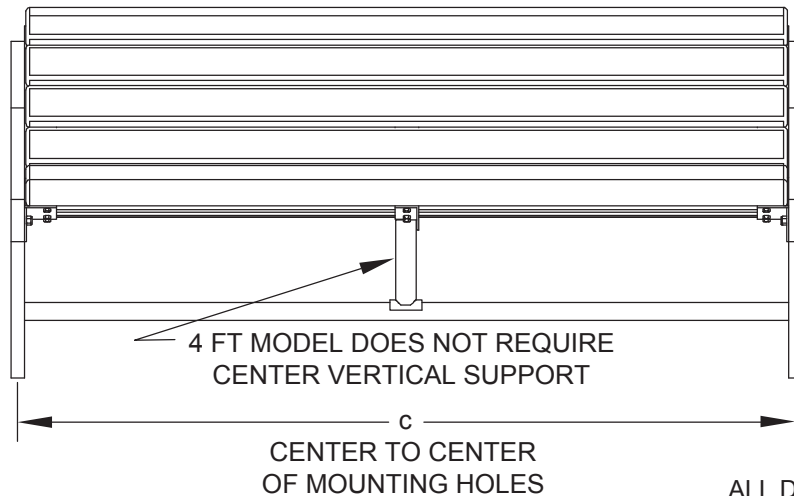
RJ Thomas Mfg. Co., Inc.

PO Box 946 • Cherokee, IA 51012-0946 • PH: 712-225-5115 • 800-762-5002 • FAX: 712-225-5796
E-mail: pilotrock@rjthomas.com • Web Site: <http://www.pilotrock.com>

© 2014 RJ Thomas Mfg. Co., Inc. PILOT ROCK® Park Products is a registered trademark of RJ Thomas Mfg. Co., Inc.



MODEL NUMBER	DIMENSION		
	a	b	c
B94-4	47 1/2	50 1/4	49
B94-6	71 1/2	74 1/4	73
B94-8	95 1/2	98 1/4	97



ALL DIMENSIONS IN INCHES

RJThomas Mfg. Co., Inc.
P.O. Box 946 • Cherokee, IA 51012-0946

DRAWN BY
WWM

TITLE OAK KNOLL SERIES MODEL B94 4, 6, AND 8 FOOT CONTOUR SURFACE MOUNT BENCH WITH CAST ALUMINUM END FRAMES AND 3" X 4" RECYCLED PLASTIC SEAT AND BACK TIMBERS

DATE 4-04-16

DWG. NO. **AI-1738**