

# Model BPRT1-36 Bear Resistant Trash Receptacle



**Model BPRT1/CWT-36**

*Bear Proof Trash Receptacle with Brown textured powder coat finish.*

- **Certified by the Interagency Grizzly Bear Committee**  
- Model BPRT1-36: IGBC Certificate #5106
- **12 ga., 14 ga., and 7 ga. steel construction**
- **Tight fitting front door and lid, covered lid latch, designed to prevent bears from getting inside**
- **Reinforced door on full-length hinge**
- **Lid and door are self-latching**
- **Includes rigid plastic liner, decal, and anchor kit**

## AVAILABLE OPTIONS

Choice of colors of textured powder coat finish  
Recycling insert plate with choice of three sizes of hole

## SPECIFICATIONS:

- **BPRT1-36 Series** bear resistant trash receptacle is designed and tested to keep bears out of your trash.
- The receptacle features a tightly fitted, self-latching lid for depositing trash, and a tightly fitted front access door for removing the trash liner.
- Overall dimension of the receptacle when closed: 47" tall, 24-3/8" wide, and 26-5/8" deep. Receptacle meets ADA guidelines for forward and side reach.
- The body of the receptacle is a welded construction of 12 and 14 ga. formed steel, reinforced with 7 ga. rib supports, welded to a 7 ga. base with four 25/32" dia holes for anchors. Anchor kit #ANC5-4 (four 1/2" x 5" concrete screw anchors) is included. Receptacle must be anchored to hard surface to be considered "Bear Proof".
- Top is sloped for easy access to the 16" square hatch opening. The hatch is secured by a hinge and a self-closing commercial duty latch, mounted under a formed steel guard designed to fit human hands, not bear paws. To release the latch, the hand must reach under the guard. Access for bears is also blocked by a raised obstacle built into the top of the receptacle.
- The access door on the front of the receptacle is 29" tall x 21-7/16" wide to allow easy access to a 36 gal. rigid plastic liner (included). Door is 12 ga. steel reinforced with 3/4 x 3/4 x 1/8 angle and mounted on a full length continuous hinge. A self-closing latch secures the door at the top and bottom.
- Entire unit is finished in textured brown powder coat paint.
- Trash decal is included.
- A 36 gallon rigid plastic liner is included.
- **Optional:** Choices of colors of textured powder coat finish. Available in green, black, speckled tan or blue.
- **Optional:** Recycling insert plates finished in black powder coat. Available sizes are:
  - **Model BPRP PC1**, 3" Dia. hole.
  - **Model BPRP PC5**, 4-3/8" Dia. hole.
  - **Model BPRP PC6**, 5-7/8" Dia. hole.
- Our bear resistant trash and recycling receptacles have been successfully tested by the Grizzly and Wolf Discovery Center (GWDC) using the Interagency Grizzly Bear Committee (IGBC) protocol.



**RJ Thomas Mfg. Co., Inc.**

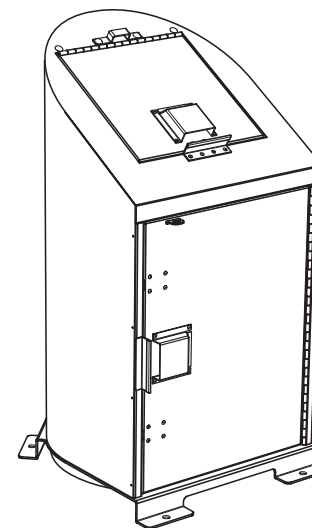
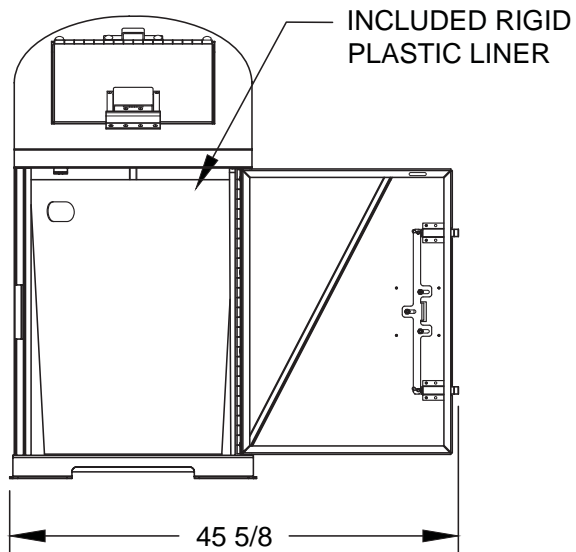
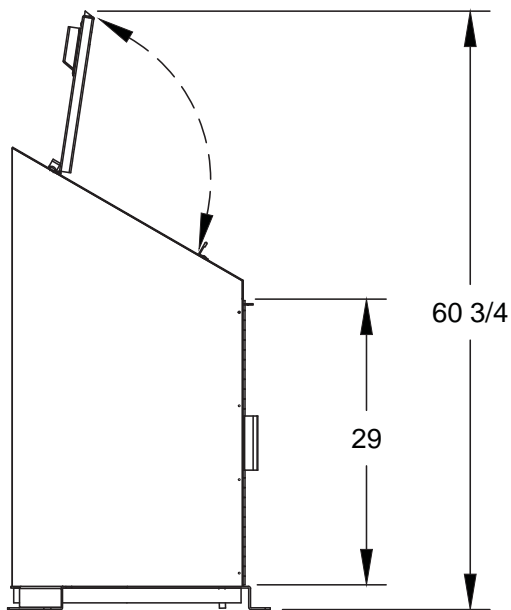
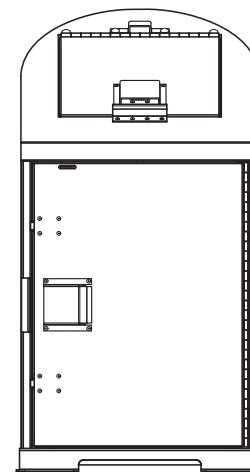
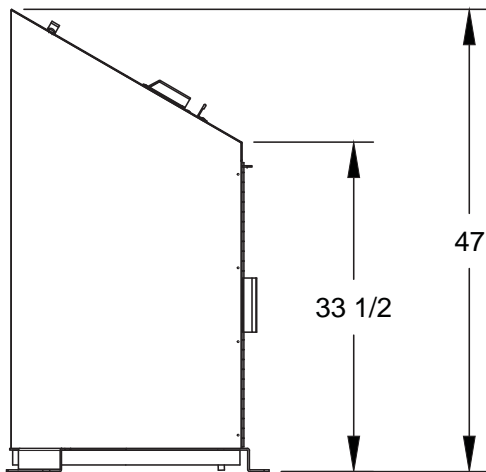
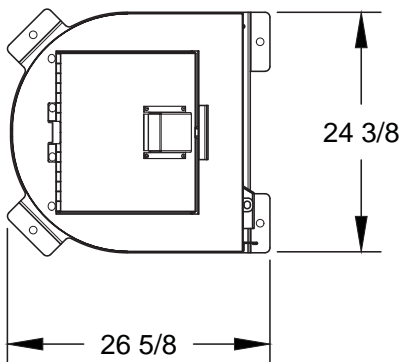
PO Box 946 • Cherokee, IA 51012-0946 • PH: 712-225-5115 • 800-762-5002 • FAX: 712-225-5796  
E-mail: pilotrock@rjthomas.com • Web Site: <http://www.pilotrock.com>

© 2019 RJ Thomas Mfg. Co., Inc. PILOT ROCK® Park Products is a registered trademark of RJ Thomas Mfg. Co., Inc.

INTERAGENCY GRIZZLY BEAR COMMITTEE CERTIFIED

BPRT1-36

IGBC CERTIFICATE #5106



ALL DIMENSIONS IN INCHES

**RJThomas Mfg. Co., Inc.**  
P.O. Box 946 • Cherokee, IA 51012-0946

DRAWN BY  
**MGB**

TITLE **MODEL BPRT1-36 BEAR PROOF TRASH RECEPTACLE WITH INCLUDED RIGID PLASTIC LINER**

DATE 4-23-18

DWG. NO. **AI-1863**