



Model B400/CN-6SP/TN Sign Bench, surface mount, green powder coated frames, 6 ft. long, green thermo-plastic coated contour seat.

- **Surface mount installation**
- **Sturdy, formed and welded steel frame construction**
- **Top cap opens for total access to the sign frame. Cap can be padlocked closed.**
- **The sign board slides in front of the back support. Your sign can be replaced as often as you want.**
- **Frames are Powder Coated**
- **Thermo-plastic Coating heat fused to steel seat and sign frame**
- **Thermo-plastic Coating formulated with U.V. stabilizers for ultraviolet protection**
- **Quality construction throughout**

AVAILABLE OPTIONS

4', 6', or 8' models

Powder Coat Finish in choice of colors for steel frame components

Thermo-plastic seat coating in your choice of colors

Order/reorder signage from Pilot Rock Signs

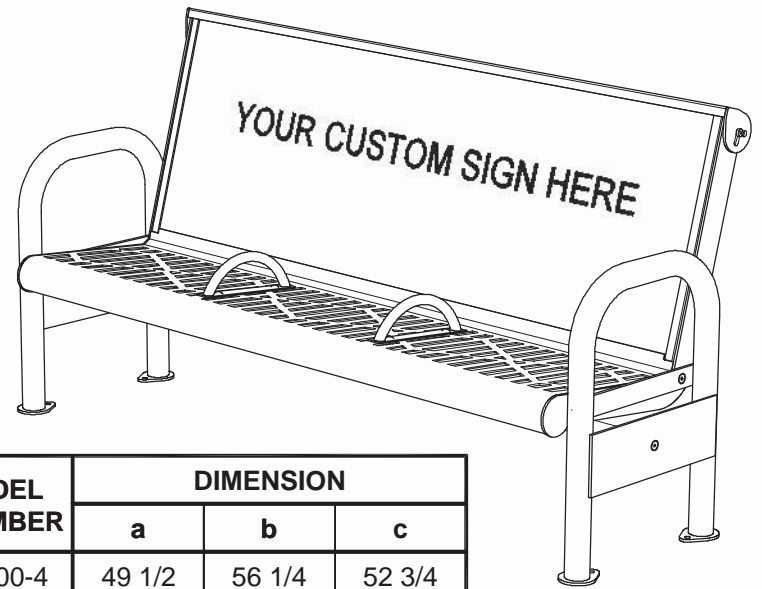
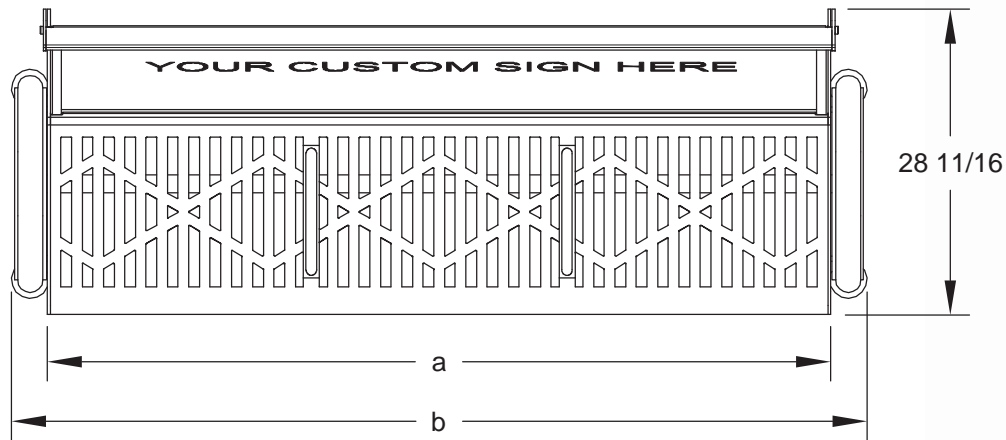
SPECIFICATIONS:

- **Model B400** frame legs are 2-3/8 in. OD steel pipe, surface mount with bolt down anchor plates on each frame leg (anchors not included).
- **Model B400/CB-4SP/TB** is 4 ft. long (nom.).
- **Model B400/CB-6SP/TB** is 6 ft. long (nom.).
- **Model B400/CB-8SP/TB** is 8 ft. long (nom.).
- **Standard:** All steel frame components are finished in Black powder coat (indicated by "/CB" in model no., e.g. B400/CB-4SP/TB)
- All steel fabrication with 10 ga. cut steel formed contour seat and sign frame.
- **Standard:** All steel surfaces of the seat and sign frame are covered with a thermo-plastic coating in a black color (indicated by "/TB" in model no., e.g. B400/CB-6SP/TB). Other colors available.) The UV-stabilized thermo-plastic coating is applied in a multi step process of material preparation and finish application designed to permanently heat fuse and bond the finish to the steel. The thermo-plastic polyethylene finish is impact resistant, does not support mold or mildew, and the textured matte surface is less susceptible to marring and scuffing.
- All fasteners are provided for assembly.
- Includes a steel plate on each bench frame for a custom decal if desired.
- Black painted 3/4 in. MDO Sign Board back support for sign.
- Hinged top cap closes the sign frame and can be padlocked to secure the sign (padlocks not included- order (2) #PL-1). The sign cannot be removed when cap is closed.
- **Optional:** Custom made Pilot Rock Sign features: Sign is 24 in. tall by 4ft., 6ft., or 8ft long, .40 ga Alumilite aluminum laminate, 1/4 in. thick, polycarbonate core, a 3M vinyl digitally printed graphic material, a 3M protective lamination over the graphic.
- **Optional:** ANC3-4 set of (4) 3/8"x3" screw anchors for concrete surface
- **Optional:** Color choices of powder coat components. For optional colors choices see Specification Bulletin #SPC-CO-001.
- **Optional:** Color choices of thermo-plastic coated components. For optional color choices, see Specification Bulletin #SPC-CO-001.

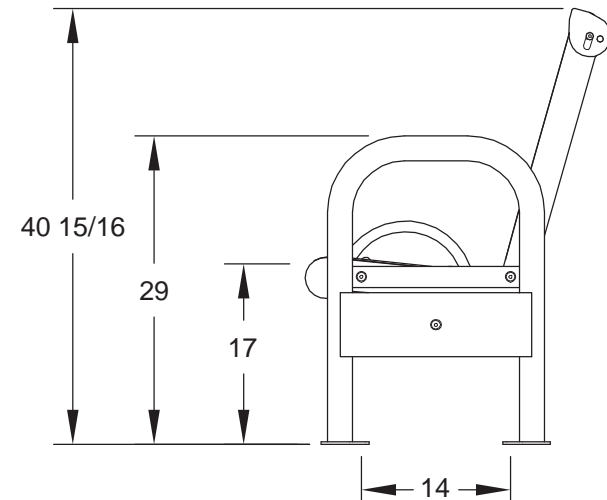
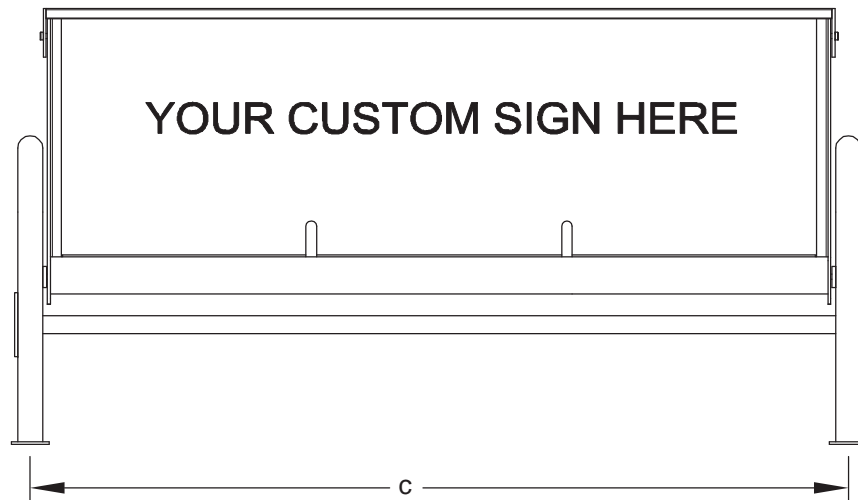
RJ Thomas Mfg. Co., Inc.

PO Box 946 • Cherokee, IA 51012-0946 • PH: 712-225-5115 • 800-762-5002 • FAX: 712-225-5796
E-mail: pilotrock@rjthomas.com • Web Site: <http://www.pilotrock.com>

© 2012 RJ Thomas Mfg. Co., Inc. PILOT ROCK® Park Products is a registered trademark of RJ Thomas Mfg. Co., Inc.



MODEL NUMBER	DIMENSION		
	a	b	c
B400-4	49 1/2	56 1/4	52 3/4
B400-6	73 1/2	80 1/4	76 3/4
B400-8	97 1/2	104 1/4	100 3/4



CENTER TO CENTER OF MOUNTING HOLES

CENTER TO CENTER OF MOUNTING HOLES

ALL DIMENSIONS IN INCHES

RJThomas Mfg. Co., Inc.
P.O. Box 946 • Cherokee, IA 51012-0946

DRAWN BY
MGB

TITLE SIGN BENCH SERIES MODEL B400 4, 6, AND 8 FOOT SURFACE MOUNT
CONTOUR STEEL SEAT

DATE 8-14-15

DWG. NO. AI-2067