

# Model CBP-135 Backyard Charcoal Grill



*Model CBP-135 Backyard Charcoal Grill.*



*Model CBP-135 Backyard Charcoal Grill  
with grate raised for fire building or cleaning.*



*Model CBP-135 Backyard Charcoal Grill ships in one box.*

## **SPECIFICATIONS:**

- **Park Quality Construction:** Durable 1/8" thick steel firebox, plus 1/2" and 3/8" diameter solid steel bars for the cooking grate. These are the same materials used to make charcoal grills for public parks and campgrounds.
- **Large Cooking Area:** The firebox measures 16" x 14" x 10" high. This provides 224 sq. inches of cooking area.
- **Adjustable Cooking Grate:** The cooking grate is easily adjusted to four levels above the coals. The commercial quality coiled steel bar grips on each side make grate adjustments easy and cool.
- **Cooking Grate Tips Up:** The cooking grate can be tipped up for easy fire building and firebox clean out. The grate remains permanently attached to the firebox.
- **Full 360 Degree Rotation:** This grill design provides a full 360 degree rotation in either direction. This allows you to easily compensate for changes in the wind while grilling.
- **Theft Proof Swivel Attachment:** Installation includes a locking pin in the grill-to-post swivel box. This design prevents removal of the firebox from the post and prevents theft.
- **Easy Post Assembly and Installation:** The base post comes in two sections, providing assembled dimensions of 2-3/8" OD x 40" long. Installation requires embedding the post into a concrete footing (concrete not included). An easy weekend D.I.Y. project.
- **Firebox and Grate are Fully Assembled.**
- **Finished with High Temp Non Toxic Black Enamel Paint.**
- **Ships in one box.**  
Weight: 48 lbs.  
Dimensions: 21-3/4"L x 14-1/2"W x 14-3/4"H.



**Content of the box**

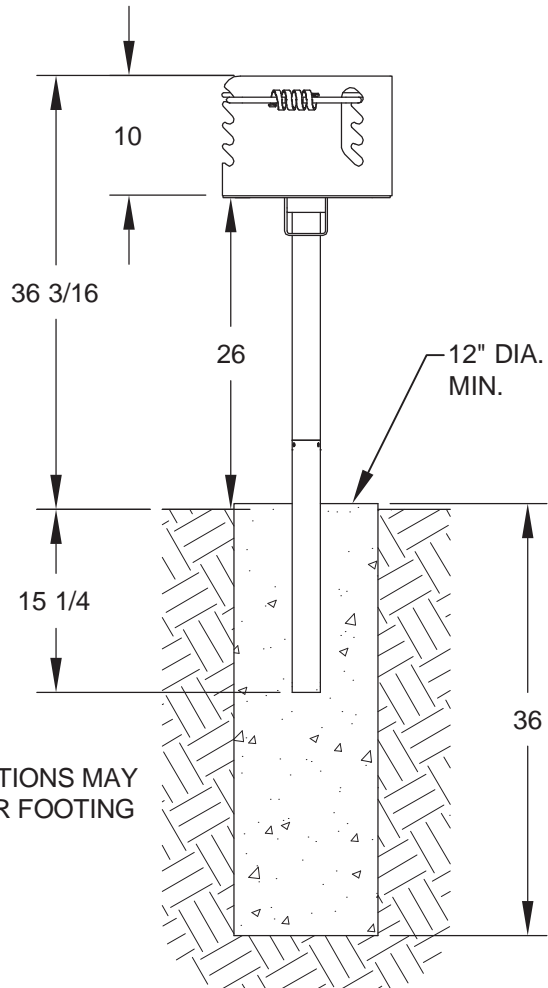
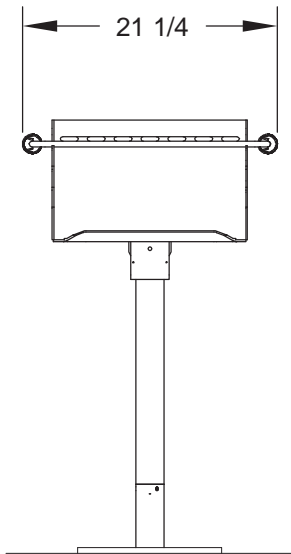
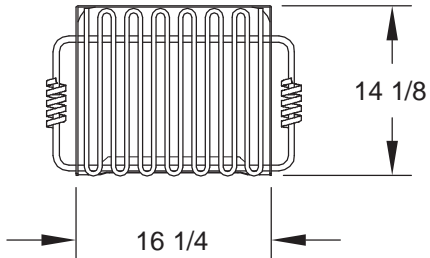
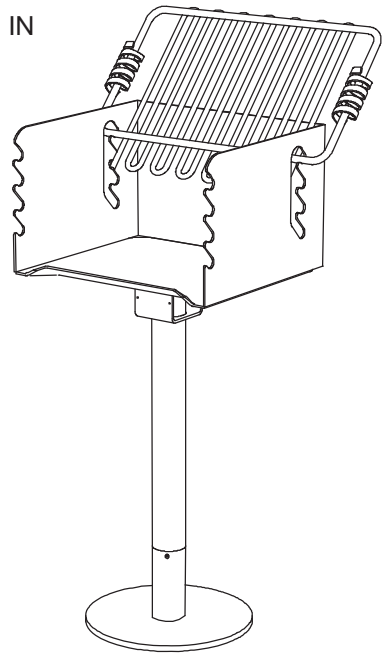
**RJ Thomas Mfg. Co., Inc.**

PO Box 946 · Cherokee, IA 51012-0946 · PH: 712-225-5115 · 800-762-5002 · FAX: 712-225-5796

E-mail: [customerservice@rjthomas.com](mailto:customerservice@rjthomas.com)

© 2014 RJ Thomas Mfg. Co., Inc.

GRATE SHOWN IN  
TIPPED BACK  
POSITION FOR  
CLEANING



NOTE:  
LOCAL SOIL CONDITIONS MAY  
REQUIRE A LARGER FOOTING

ALL DIMENSIONS IN INCHES

**RJThomas**  
**Mfg. Co., Inc.**  
P.O. Box 946  
Cherokee, IA 51012

TITLE **MODEL CBP-135 BACKYARD GRILL WITH B6X2 BASE**

DRAWN BY	<b>WWM</b>
DATE	<b>1-10-14</b>
DWG. NO.	<b>AI-2055</b>