



Model ULT/B-4 30" Utility Table with 360° rotating top and optional base plate for mounting in hard surfaces.

- **Top rotates 360 degrees either direction on theft-proof swivel attachment**
- **3/16" steel plate top**
- **3-1/2" round steel tube post**
- **Flanged sides keep work on table and offer a safe front edge**
- **40" high work height**
- **Easy to clean**

SPECIFICATIONS:

- **ULT Series** Utility Table is a two piece construction of a 3/16" steel plate top supported by a 3-1/2" OD round steel tube post embedded 19-5/8" into a concrete footing to provide a 40" (nom.) working height.
- Table top is die-formed to provide 1-3/4" flanges bent upward on the back and side edges to keep work on the table, and downward on the front of the table to provide a safe blunt edge. The corners are clipped to provide an opening for drainage and ease of cleaning.
- Top is permanently attached after base installation by means of absolutely theft-proof base attachment allowing continuous rotation of the top in either direction.
- **Model ULT-4** top is 18" deep x 30" wide (nom.).
- The entire table is finished in high heat black enamel paint (indicated by "/B" in model no., e.g. ULT/B-4).
- **Optional:** Table is provided with a 1/4" x 8" x 8" square steel base plate welded to the post with 25/32" dia. holes in each corner for anchoring to solid surfaces (anchors not included). (To specify add "/P" after ULT in model no. e.g., ULT/P/B-4.) Order separately Anchor Kit #ANC1-4.

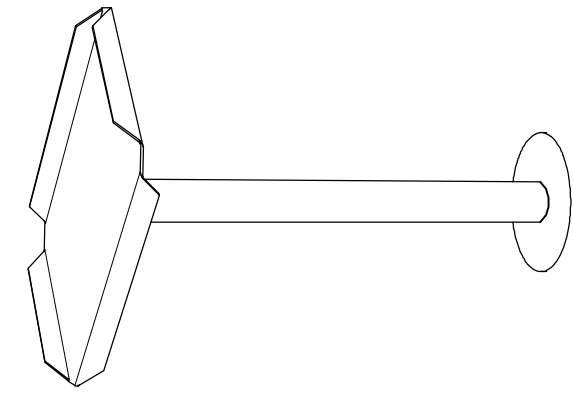
AVAILABLE OPTIONS

Base plate for surface mounting

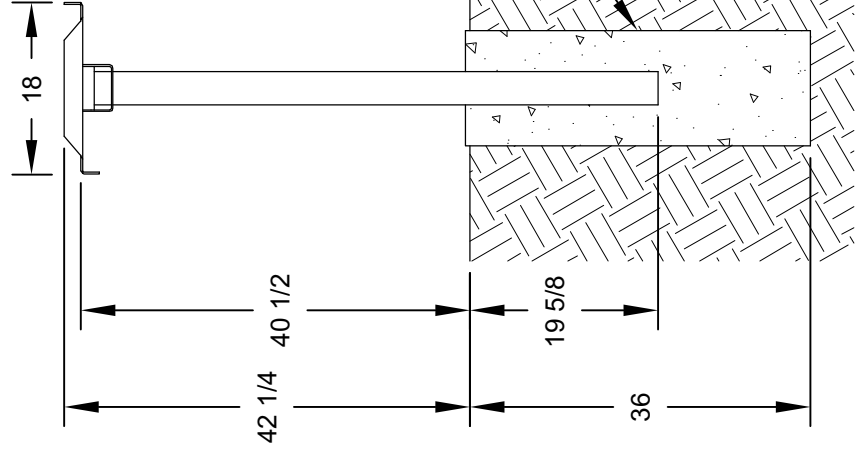
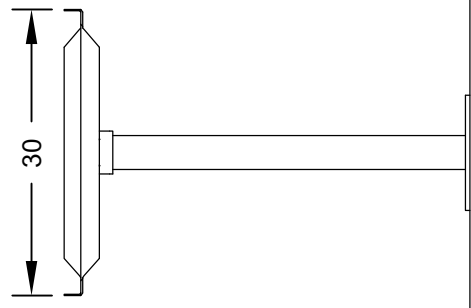
RJThomas Mfg. Co., Inc.

PO Box 946 • Cherokee, IA 51012-0946 • PH: 712-225-5115 • 800-762-5002 • FAX: 712-225-5796
E-mail: pilotrock@rjthomas.com • Web Site: <http://www.pilotrock.com>

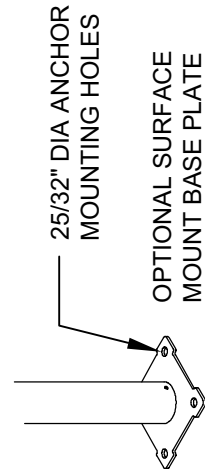
© 2008 RJThomas Mfg. Co., Inc. PILOT ROCK® Park Products is a registered trademark of RJThomas Mfg. Co., Inc.



TOP ROTATES 360°
CONTINUOUSLY
EITHER DIRECTION



12" DIA X 36" DEEP
CONCRETE FOOTING
RECOMMENDED
CHECK LOCAL CODES



25/32" DIA ANCHOR
MOUNTING HOLES

OPTIONAL SURFACE
MOUNT BASE PLATE

ALL DIMENSIONS IN INCHES

RJThomas Mfg. Co., Inc.
P.O. Box 946 • Cherokee, IA 51012-0946

DRAWN BY
WWM

TITLE
ULT SERIES MODEL ULT-4 EMBEDDED MOUNT UTILITY TABLE WITH 360 DEGREE
ROTATING TOP

DATE 8-19-13

DWG. NO.

AI-1865