



*Model XT/CW-6PC/E 6 Ft. Wheelchair Accessible Portable Table,
Extended 2 Ft. One End, with Brown Powder Coat Frame
and Cedar colored 100% Recycled Plastic Top and Seats*

- **ADA compliant wheelchair accessibility at one end**
- **Constructed specifically for heavy use areas**
- **Nontip, nontrip walk-through design**
- **All welded end frames are fabricated from 2-3/8" diameter steel pipe**
- **Die-formed center channel, end channel, and diagonal braces align and strengthen entire table**
- **Frames are hot dip galvanized after fabrication for superior corrosion resistance**
- **100% Recycled Plastic Seat and Top Planks with solid color and U.V. stabilizer for ultraviolet protection**
- **Steel channel reinforcements under seats and table top**
- **Limited lifetime warranty on frames**

AVAILABLE OPTIONS

- **Choice of colors of Recycled Plastic**
- **Choice of colors of Powder Coated steel frame components**

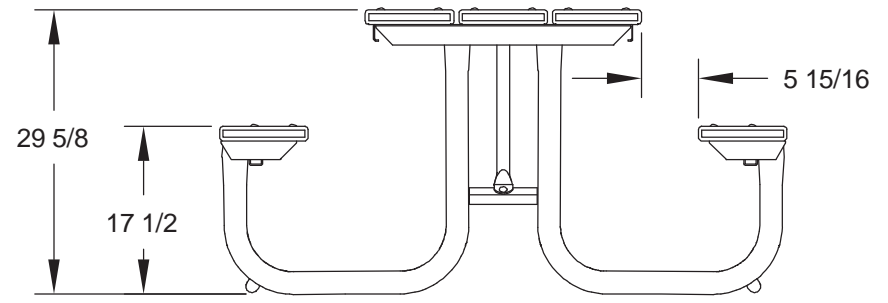
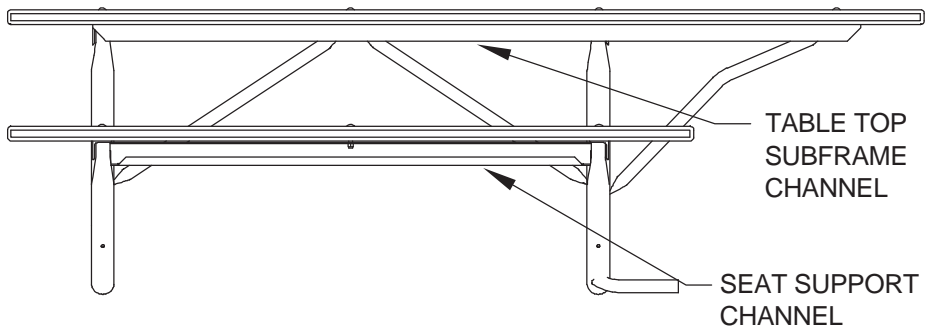
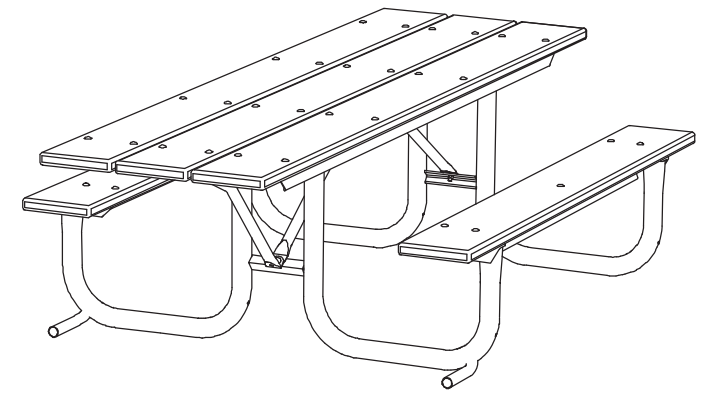
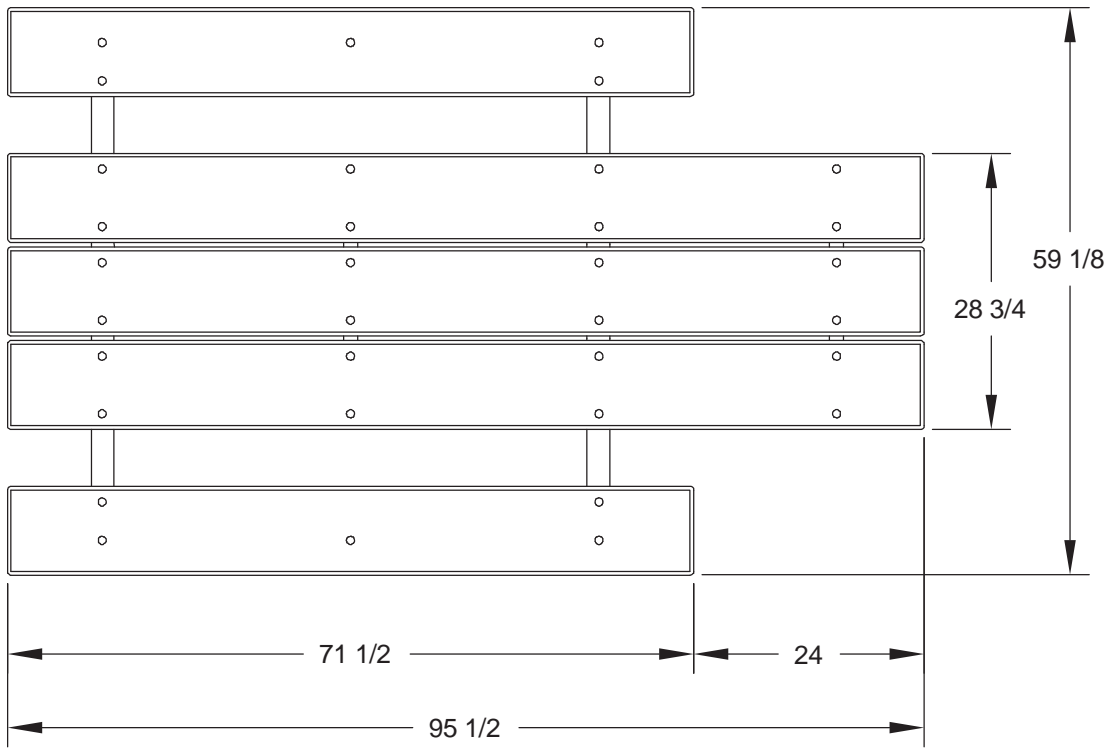
SPECIFICATIONS:

- **XT Series** end frames are one-piece welded construction, fabricated from 2.375" O.D. (2-3/8" O.D.) steel pipe to meet 2" nominal steel pipe size specifications with 2" x 2" x 1/8" die formed steel angle for attaching the seats and tops. "Outriggers" are attached to the frame on the extended end of the table for added stability.
- Table frame design incorporates nontip, nontrip, walk-through design features. Bends are tightly formed to prevent tipping when weight is on one side.
- Table top extends 2 ft. beyond seats (indicated by "/E" in model no., e.g. XT/G-6PC/E) to provide the ADA recommended wheelchair clearances of: 30" wide, 27" under table (ground to bottom of table top), and 24" total knee and toe clearance (19" + 5"). A diagonal brace of 1-5/16" O.D., hot-dip galvanized, steel pipe and a die-formed steel channel is provided to support extended portions of table top and maintain planks against warping.
- **Model XT/G-6PC/E** has a nominal 8 ft. long top and 6 ft. long seats. Includes frame stabilizing outriggers.
- **Model XT/G-8PC/E** has a nominal 10 ft. long top and 8 ft. long seats.
- Frame design provides a nominal 28" of clearance from ground level to the underside of the table top and nominal seat height of 17-1/2".
- Frames are supported by diagonal braces of 1-5/16" O.D. steel pipe that connect to a die-formed steel channel designed to align and provide attachment to the table top.
- **Standard:** All steel frame components are hot-dip galvanized after fabrication to ASTM-A123 to maintain an average zinc coating of 2.0 oz. per sq. ft. of surface area (indicated by "/G" in model no., e.g. XT/G-6PC/E).
- All galvanized fasteners are provided for assembly.
- **Standard:** Top and Seats are made of 100% Recycled Plastic molded into 2" x 10" nominal sized planks with solid Cedar color (indicated by "PC" in model no., e.g. XT/G-6PC/E) formed throughout and a U.V. stabilizer added for ultra-violet protection.
- Recycled Plastic table top and seat planks are supported by pregalvanized steel subframe channels.
- **Optional:** All steel frame components have powder coat finish. See Specification Bulletin #SPC-CO-001.
- **Optional:** Color choices of recycled plastic components. See Specification Bulletin #SPC-CO-001.

RJ Thomas Mfg. Co., Inc.

PO Box 946 • Cherokee, IA 51012-0946 • PH: 712-225-5115 • 800-762-5002 • FAX: 712-225-5796
E-mail: pilotrock@rjthomas.com • Web Site: <http://www.pilotrock.com>

© 2017 RJ Thomas Mfg. Co., Inc. PILOT ROCK® Park Products is a registered trademark of RJ Thomas Mfg. Co., Inc.



ALL DIMENSIONS IN INCHES

RJThomas Mfg. Co., Inc.
 P.O. Box 946 • Cherokee, IA 51012-0946

DRAWN BY
WWM

TITLE XT SERIES 6 FOOT WHEELCHAIR ACCESSIBLE PORTABLE RECTANGULAR TABLE
 EXTENDED ON ONE END
 WITH 100% RECYCLED PLASTIC TOP AND SEAT PLANKS

DATE 11-21-08

DWG. NO. AI-1694