



*Model XT/G-6UP/E Wheelchair Accessible Table with 8 Ft. Table Top
Extended 2 Ft. beyond 6 Ft. seat on one end; with Hot-Dip Galvanized
Frame and Untreated Southern Yellow Pine Planks*

- **Extended top for wheelchair accessibility at one**
- **Constructed specifically for heavy use areas**
- **Nontip, nontrip, walk-through design**
- **All welded end frames are fabricated from 2-3/8" diameter steel pipe**
- **Die-formed channels and diagonal braces support table extensions**
- **Frames are hot-dip galvanized after fabrication for superior corrosion resistance**
- **Precision drilled, Untreated #1 Southern Yellow Pine Seat and Top Planks**
- **Limited lifetime warranty on frames**

AVAILABLE OPTIONS

6' or 8' lengths

Powder Coat Finish in choice of colors for steel frame components

Pressure treated #1 Southern Yellow Pine lumber (Cedar, Fir, or Redwood lumber when in stock)

Backrest attachments

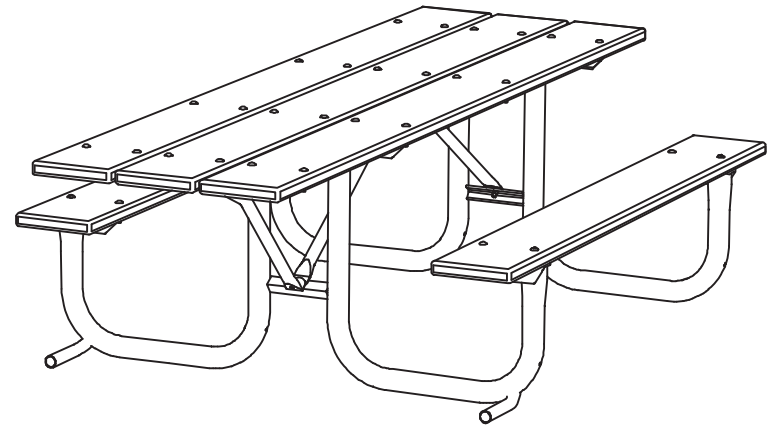
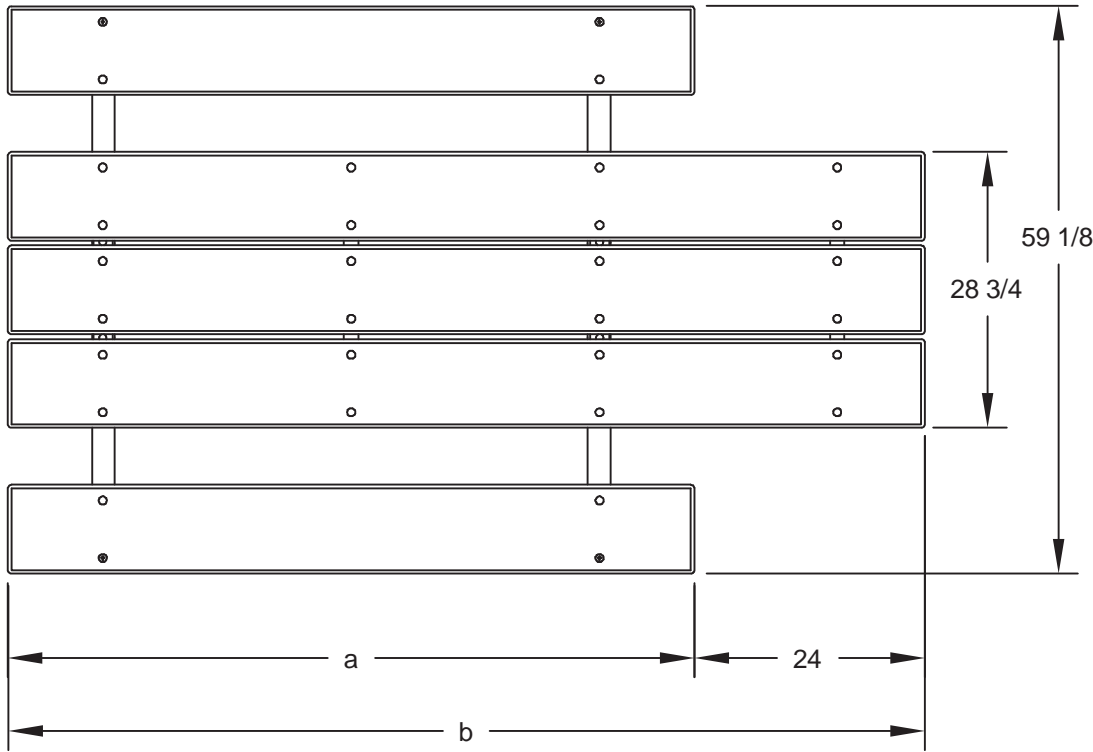
SPECIFICATIONS:

- **XT Series** end frames are one-piece welded construction, fabricated from 2.375" (2-3/8" O.D.) steel pipe to meet 2" nominal steel pipe size specifications with 2" x 2" x 1/8" die formed steel angle for attaching the seats and tops. "Outriggers" are attached to the frame on the extended end of the table for added stability.
- Table frame design incorporates nontip, nontrip, walk-through design features. Bends are tightly formed to prevent tipping when weight is on one side.
- Table top extends 2 ft. beyond seats (indicated by "/E" in model no., e.g. XT/G-6UP/E) to provide the ADA recommended wheelchair clearances of: 30" wide, 27" under table (ground to bottom of table top), and 24" total knee and toe clearance (19" + 5").
- A diagonal brace of 1-5/16" O.D. steel pipe and a die-formed, hot-dip galvanized steel channel is provided to support extended portions of the table top and maintain lumber planks against warping.
- **Model XT/G-6UP/E** has a nom. 8 ft. long top and 6 ft. long seats. Includes frame stabilizing outriggers.
- **Model XT/G-8UP/E** has a nom. 10 ft. long top and 8 ft. long seats.
- Table height provides a nominal 28" of clearance from ground level to the underside of the table top. Nominal seat top height is 18".
- Frames are supported by diagonal braces of 1-5/16" O.D. steel pipe that connect to a die-formed steel channel designed to align and provide attachment to the table top.
- All fasteners are provided for assembly.
- **Standard:** All steel frame components are hot-dip galvanized after fabrication to ASTM-A123 to maintain an average zinc coating of 2.0 oz. per sq. ft. of surface area (indicated by "/G" in model no., e.g. XT/G-6UP/E).
- **Standard:** Lumber is Untreated #1 grade Southern Yellow Pine (indicated by "UP" in model no., e.g. XT/G-6UP/E) 2" x 10" nominal sized planks, kiln dried to reduce moisture content. All lumber is precision drilled to facilitate assembly and has all exposed edges removed to a 3/8" radius.
- **Optional:** All steel frame components have powder coat finish. See Specification Bulletin #SPC-CO-001.
- **Optional:** Pressure treated #1 Southern Yellow Pine is readily available and is kiln dried after treatment (KDAT) to preserve wood against decay. (To specify, change "UP" in model no. to "TP", e.g. XT/G-6TP/E.) (Cedar, Fir, and Redwood are available when in stock – please inquire.)
- **Optional:** Table is provided with (2) backrest attachments to bolt to the table frame, consisting of (2) pair of backrest brackets and (2) lumber backrest planks.

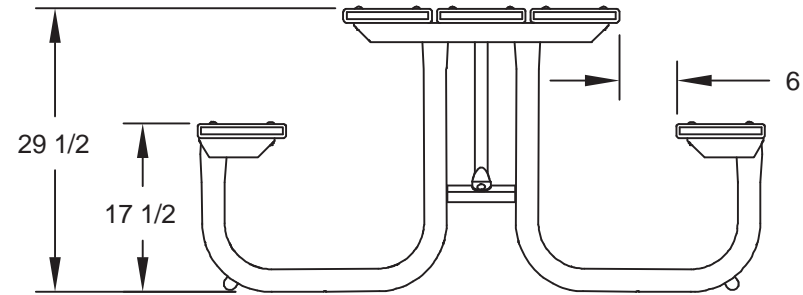
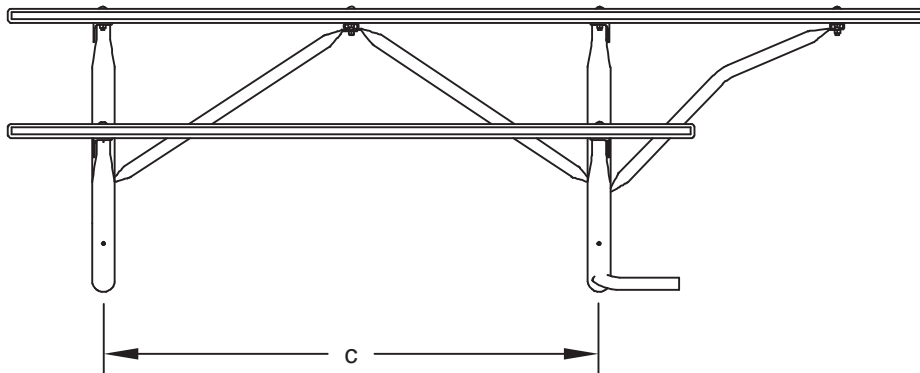
RJ Thomas Mfg. Co., Inc.

PO Box 946 • Cherokee, IA 51012-0946 • PH: 712-225-5115 • 800-762-5002 • FAX: 712-225-5796
E-mail: pilotrock@rjthomas.com • Web Site: <http://www.pilotrock.com>

© 2017 RJ Thomas Mfg. Co., Inc. PILOT ROCK® Park Products is a registered trademark of RJ Thomas Mfg. Co., Inc.



MODEL NUMBER	DIMENSION			STABILIZING OUTRIGGERS
	a	b	c	
XT-6/E	71 1/2	95 1/2	51-3/4	INCLUDED
XT-8/E	95 1/2	119 1/2	70	NOT REQUIRED



ALL DIMENSIONS IN INCHES

RJThomas Mfg. Co., Inc.
P.O. Box 946 • Cherokee, IA 51012-0946

DRAWN BY
WWM

TITLE XT SERIES 6 AND 8 FOOT RECTANGULAR TABLE WITH LUMBER TOP AND SEAT
PLANKS EXTENDED ONE END FOR WHEELCHAIR ACCESSIBILITY

DATE 2-11-11

DWG. NO. AI-1612