



Model XTH/CN-6AL/E, 6 ft., Extra Heavy Duty Wheelchair Accessible Portable Table, Extended 2 ft. One End, with Green Powder Coat Frames and Aluminum Top and Seats

- **ADA compliant wheelchair accessibility at one end**
- **Constructed specifically for heavy use areas**
- **Nontip, nontrip walk-through design**
- **All welded end frames are fabricated from 2-3/8" diameter steel pipe**
- **Die-formed center channel and diagonal braces align and strengthen entire table**
- **Frames are hot dip galvanized after fabrication for superior corrosion resistance**
- **Seats and Top are Aluminum with a clear anodized maintenance free finish**
- **Limited lifetime warranty on frames**

AVAILABLE OPTIONS

- **Powder Coat Finish in choice of colors for steel frame components**
- **Powder Coat Finish in choice of colors for aluminum top and seats**

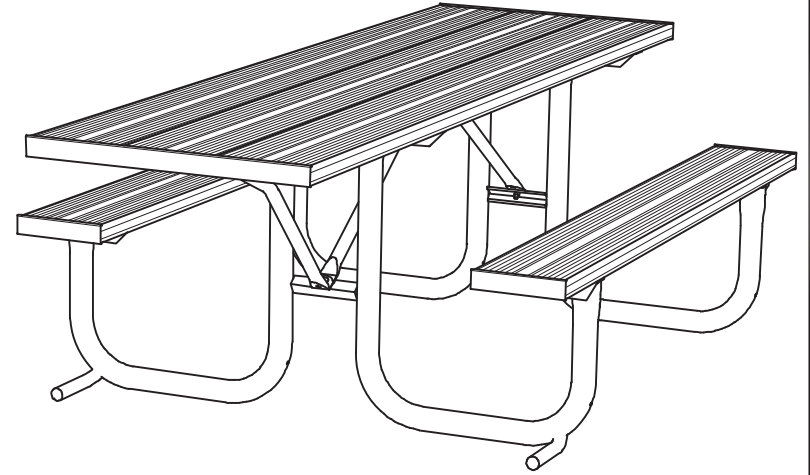
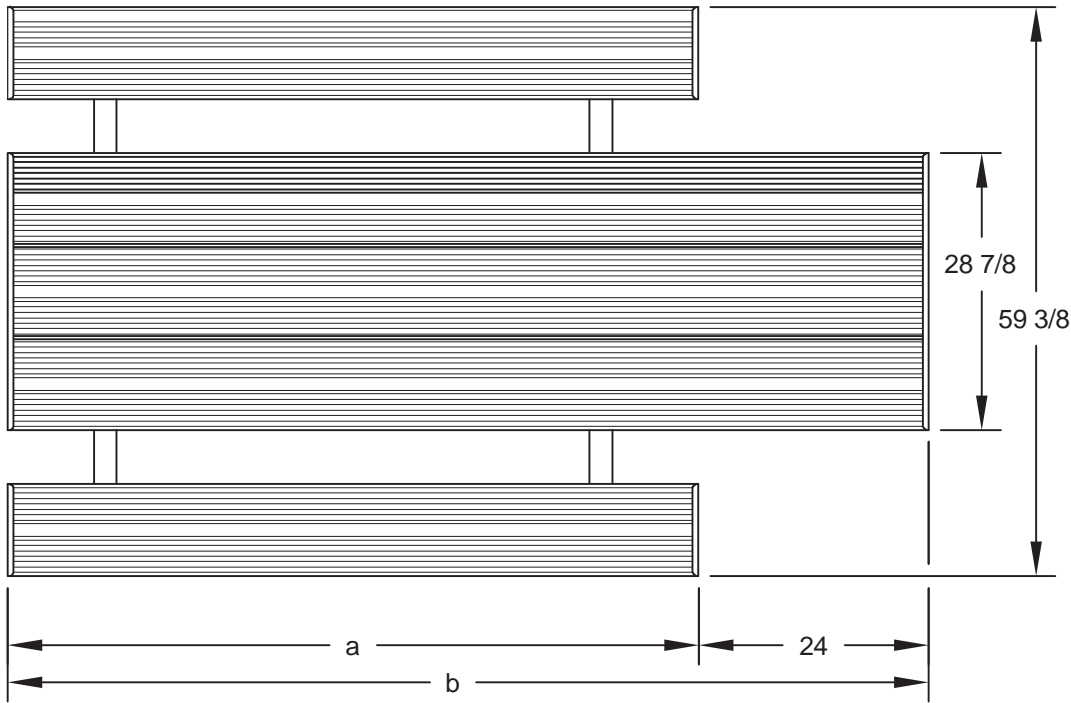
SPECIFICATIONS:

- **XTH Series** end frames are one-piece welded construction, fabricated from 2.375" O.D. (2-3/8" O.D.) steel pipe to meet 2" nominal steel pipe size specifications with 2" x 2" x 1/8" die formed steel angle for attaching the seats and tops. "Outriggers" are attached to the frame on the extended end of the table for added stability.
- Table frame design incorporates nontip, nontrip, walk-through design features. Bends are tightly formed to prevent tipping when weight is on one side.
- Table provides one wheelchair space at one end of table by extending the top 2 ft. creating a ADA recommended space of 30" wide, 19" deep, and 27" from ground to bottom of table top for knee space, and minimum 9" above ground extending a total of 24" deep for toe space. Indicated by "/E" at end of model no., e.g. XTH/G-6AL/E.
- A diagonal brace of 1-5/16" O.D. steel pipe and a die-formed steel channel is provided to support extended portions of table top and maintain planks against warping.
- **Model XTH/G-6AL/E** has a nom. 8 ft. long top and 6 ft. long seats. Includes frame stabilizing outriggers.
- **Model XTH/G-8AL/E** has a nom. 10 ft. long top and 8 ft. long seats. Includes frame stabilizing outriggers.
- Frame design provides a nominal 30" of clearance from ground level to the underside of the table top and nominal seat top height of 19".
- Frames are supported by diagonal braces of 1-5/16" O.D. steel pipe that connect to a die-formed steel channel designed to align and provide attachment to the table top.
- All fasteners are provided for assembly.
- **Standard:** All steel frame components are hot-dip galvanized after fabrication to ASTM-A123 to maintain an average zinc coating of 2.0 oz. per sq. ft. of surface area (indicated by "/G" in model no., e.g. XTH/G-6AL/E).
- Aluminum is extruded 6063-T6 aluminum alloy in planks with dimensions equivalent to that of 2" x 10" nominal sized lumber. The plank design is 1-3/4" x 9-5/8" with four structural reinforcement ribs for greater rigidity. Aluminum planks are provided with a clear anodized finish as per anodizing specification 204 R1. Aluminum clips to fasten planks to frames are included.
- Channel end caps are of extruded 6063-T6 aluminum alloy provided with a clear anodized finish as per anodizing specification 204 R1. End caps are press fitted over ends of aluminum planks and mechanically fastened in place at the factory.
- Table top is assembled into single unit at the factory with one-piece end caps across each end.
- **Optional:** All steel frame components have powder coat finish. See Specification Bulletin #SPC-CO-001.
- **Optional:** All aluminum top and seat components shall have powder coat finish. See Specification Bulletin #SPC-CO-001.

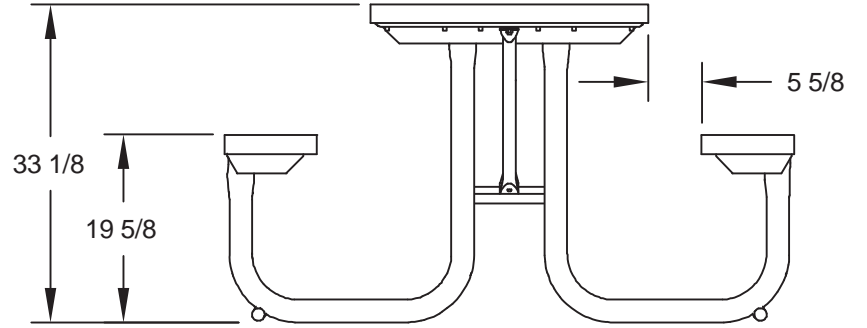
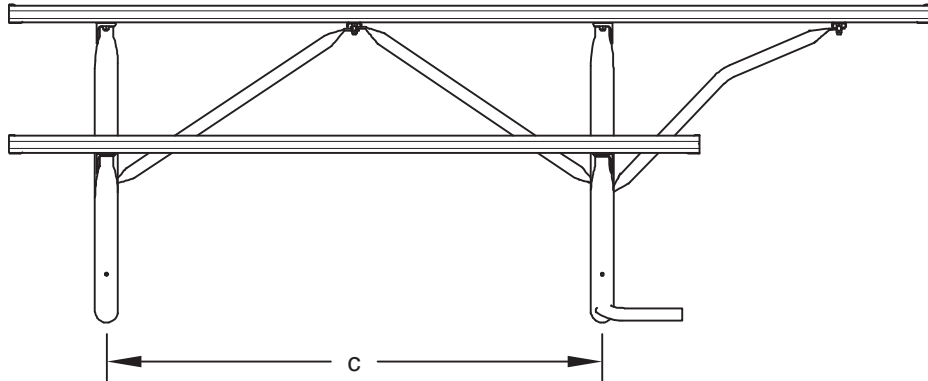
RJ Thomas Mfg. Co., Inc.

PO Box 946 • Cherokee, IA 51012-0946 • PH: 712-225-5115 • 800-762-5002 • FAX: 712-225-5796
E-mail: pilotrock@rjthomas.com • Web Site: <http://www.pilotrock.com>

© 2017 RJ Thomas Mfg. Co., Inc. PILOT ROCK® Park Products is a registered trademark of RJ Thomas Mfg. Co., Inc.



MODEL NUMBER	DIMENSION			STABILIZING OUTRIGGERS
	a	b	c	
XTH-6/E	72	96	51-3/4	INCLUDED
XTH-8/E	96	120	70	INCLUDED



ALL DIMENSIONS IN INCHES

RJThomas Mfg. Co., Inc.
P.O. Box 946 • Cherokee, IA 51012-0946

DRAWN BY
WWM

TITLE XTH SERIES 6 AND 8 FOOT RAISED TOP PORTABLE RECTANGULAR TABLE
WITH TOP EXTENDED 2 FEET ON ONE END WITH ALUMINUM TOP AND SEATS

DATE 02-14-11

DWG. NO. AI-1822