

# APT<sub>X</sub> 6 and 8 Foot Double Pedestal Rectangular Utility Table with Aluminum Top



*Model APT<sub>X</sub>/G-6AL 6 ft. embedded mount double pedestal rectangular Utility table with hot dip galvanized frame and Aluminum top*

- **Permanent embedded mounting**
- **Sturdy 3" x 6" rectangular steel tube pedestals**
- **Frames are hot-dip galvanized after fabrication for superior corrosion resistance**
- **Top is Aluminum with a clear anodized maintenance free finish**
- **Quality construction throughout**

## **SPECIFICATIONS:**

- **APT<sub>X</sub> Series** Table top end frames are one-piece welded construction, fabricated from 3" x 6" x 1/8" wall rectangular structural steel tubing with 2" x 2" x 3/16" A-36 structural grade steel angle for attaching the top. Exposed ends of rectangular tubing are permanently sealed with welded-on steel end caps. Frames are designed to be embedded in a concrete footing.
- **Model APT<sub>X</sub>/G-6** has a nominal length of 6 ft.
- **Model APT<sub>X</sub>/G-8** has a nominal length of 8 ft.
- Nominal table height is 32".
- **Standard:** All steel frame components are hot-dip galvanized after fabrication to ASTM-A123 to maintain an average zinc coating of 2.0 oz. per sq. ft. of surface area (indicated by "/G" in model no., e.g. APT<sub>X</sub>/G-6AL).
- Aluminum is extruded 6063-T6 aluminum alloy in planks with dimensions equivalent to that of 2" x 10" nominal sized lumber. The plank design is 1-3/4" x 9-5/8" with four structural reinforcement ribs for greater rigidity. Aluminum planks are provided with a clear anodized finish as per anodizing specification 204 R1. Aluminum clips to fasten planks to frames are included.
- Channel end caps are extruded 6063-T6 aluminum alloy provided with a clear anodized finish as per anodizing specification 204 R1. End caps are press fitted over ends of aluminum planks and mechanically fastened in place at the factory.
- Table tops are assembled into single units at the factory with one-piece end caps across each end.
- All fasteners are provided for assembly.
- **Optional:** All steel frame components have powder coat finish. For color choices see Specification Bulletin #SPC-CO-001.
- **Optional:** Aluminum table top have powder coat finish. For color choices see Specification Bulletin #SPC-CO-001.
- **Optional:** Frames are provided with a 3/8" x 8" x 8" steel base plate to bolt table to existing concrete pad. To specify add "/P" after the "APT<sub>X</sub>" in the model no., e.g. APT<sub>X</sub>/P/G-6AL. (Anchor bolts not included.)

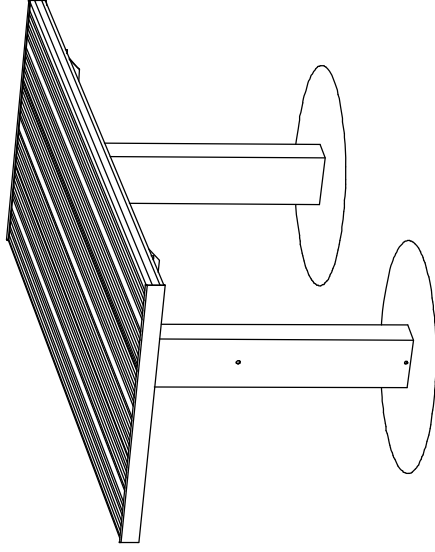
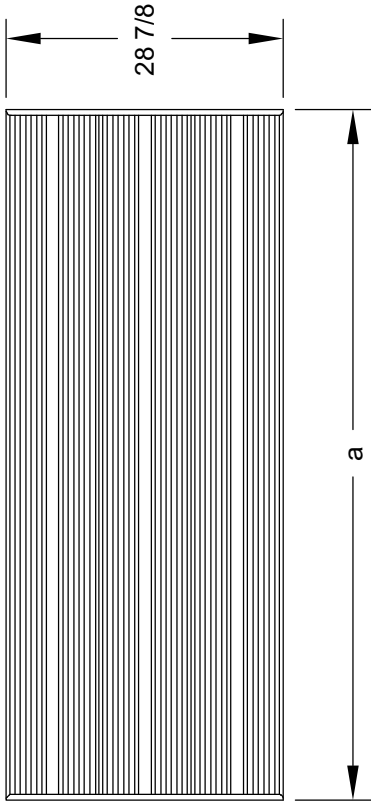
## **AVAILABLE OPTIONS**

- **6' or 8' lengths**
- **Choice of colors of Powder Coat Finish for steel frame components**
- **Choice of colors of Powder Coat Finish for aluminum top**
- **Surface mount base plate**

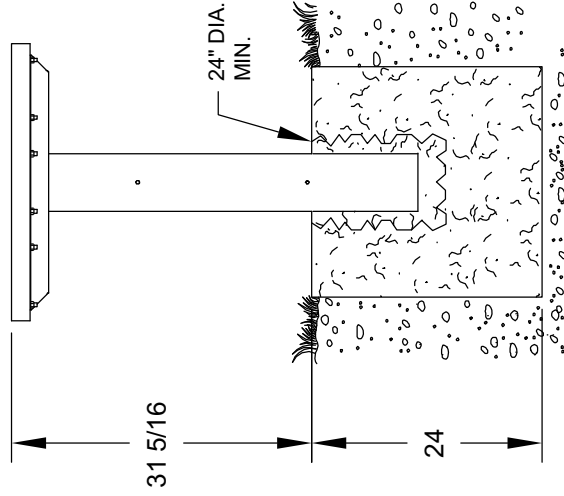
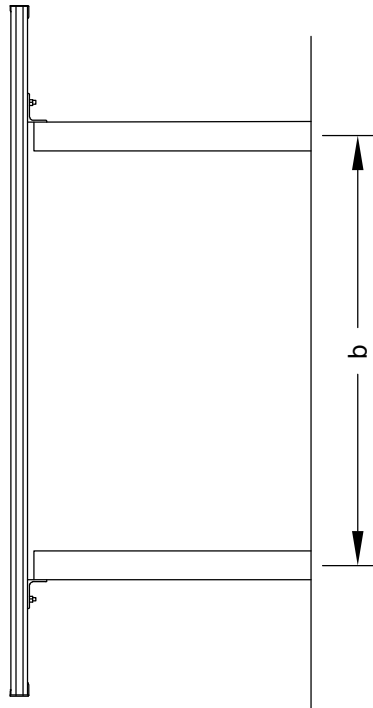
**RJThomas Mfg. Co., Inc.**

PO Box 946 • Cherokee, IA 51012-0946 • PH: 712-225-5115 • 800-762-5002 • FAX: 712-225-5796  
E-mail: pilotrock@rjthomas.com • Web Site: <http://www.pilotrock.com>

© 2008 RJThomas Mfg. Co., Inc. PILOT ROCK® Park Products is a registered trademark of RJThomas Mfg. Co., Inc.



MODEL NUMBER	DIMENSION	
	a	b
APT-X-6	72	44-3/4
APT-X-8	96	63



NOTE:  
 LOCAL SOIL  
 CONDITIONS  
 MAY REQUIRE  
 A LARGER  
 FOOTING  
 (CHECK LOCAL  
 CODES)

ALL DIMENSIONS IN INCHES

**RJ Thomas Mfg. Co., Inc.**  
 P.O. Box 946 • Cherokee, IA 51012-0946

DRAWN BY  
**WWM**

TITLE APTX SERIES 6 AND 8 FOOT EMBEDDED MOUNT RECTANGULAR DOUBLE  
 PEDESTAL UTILITY TABLE WITH ALUMINUM TOP

DATE 9-09-08

DWG. NO.

**AI-1779**