



*Model AT-6TP/E1 6 ft. Accessible A-Frame Rectangular Table with  
Treated Pine Legs Timbers and Top and Seat Planks*

- **Traditional A-Frame design**
- **Extended one foot on each end for wheelchair accessibility at both ends**
- **Sturdy 4" x 6" Treated #1 Southern Yellow Pine Legs**
- **Precision drilled, Treated #1 Southern Yellow Pine Seat and Top Planks**
- **Pregalvanized steel channel cross-member**
- **Quality construction throughout**

**SPECIFICATIONS:**

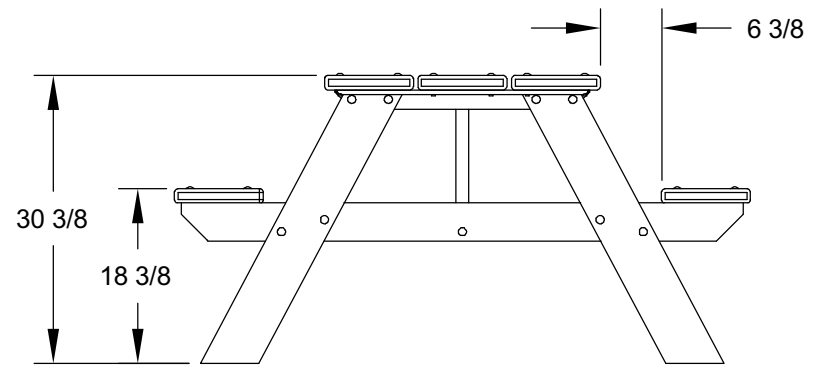
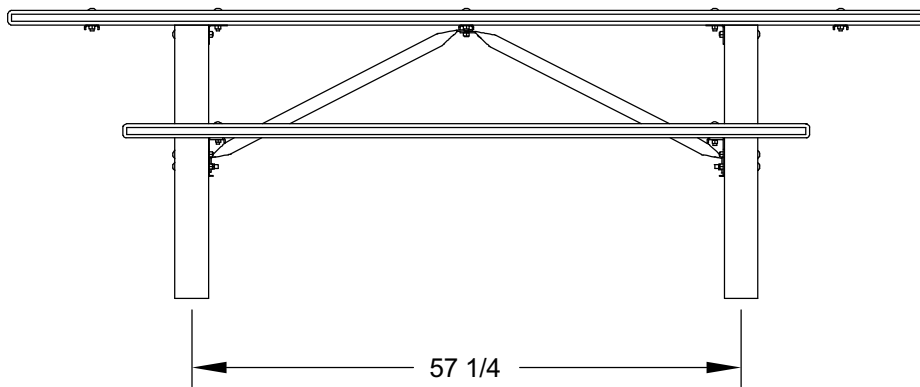
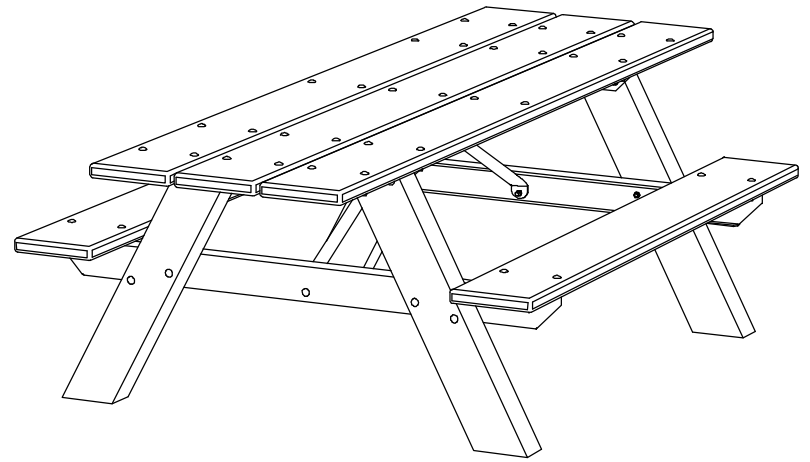
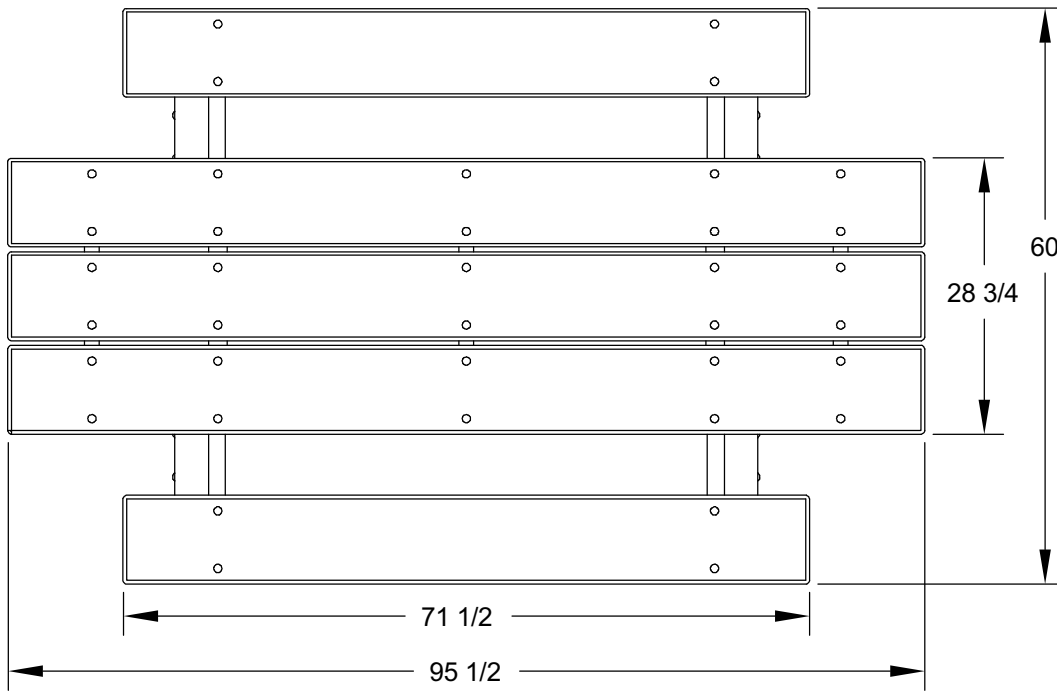
- **AT Series** end frames are constructed from two 4" x 6" nominal sized timbers forming the legs of the "A" with ends cut at angles to provide firm contact with ground surface. Legs are connected at top by a 10 ga. x 2" x 2" formed pregalvanized steel angle which also provides attachment of table top planks. A formed pregalvanized 10 ga. x 1-3/4" x 4" steel channel connects legs at seat height and extends beyond legs to provide mounting and support for seat planks.
- Table is supported by diagonal braces of 1-5/16" O.D. pregalvanized steel pipe that connect to a die-formed steel channel designed to align and provide attachment to the table top.
- **Model AT-6TP/E1** has a nominal seat length of 72" and a nominal top length of 96".
- Table top extends 1 ft. beyond seats on each end to provide the ADA recommended wheelchair clearances of: 30" wide, 27" under table (ground to bottom of table top), and 24" total knee and toe clearance (19" + 5") at both ends.
- All fasteners are provided for assembly.
- **Standard:** Legs are 4" x 6" nominal sized Treated #1 grade Southern Yellow Pine. Top and seat planks are 2" x 10" nominal sized Treated #1 grade Southern Yellow Pine planks, kiln dried to reduce moisture content. All lumber is precision drilled to facilitate assembly and has all exposed edges removed to a 3/8" radius.
- **Optional:** Color choices of powder coated steel frame components. To indicate Brown powder coat finish, add "/CW" after "AT" in model no.. e.g. AT/CW-6TP/E1. For optional colors choices see Specification Bulletin #SPC-CO-001.

**AVAILABLE OPTIONS**

**RJThomas Mfg. Co., Inc.**

PO Box 946 • Cherokee, IA 51012-0946 • PH: 712-225-5115 • 800-762-5002 • FAX: 712-225-5796  
E-mail: pilotrock@rjthomas.com • Web Site: <http://www.pilotrock.com>

© 2008 RJThomas Mfg. Co., Inc. PILOT ROCK® Park Products is a registered trademark of RJThomas Mfg. Co., Inc.



ALL DIMENSIONS IN INCHES

**RJThomas Mfg. Co., Inc.**  
P.O. Box 946 • Cherokee, IA 51012-0946

DRAWN BY  
**WWM**

TITLE **AT SERIES 6 FOOT WHEELCHAIR ACCESSIBLE A-FRAME TABLE EXTENDED  
1 FOOT ON BOTH ENDS WITH LUMBER TIMBERS AND PLANKS**

DATE 10-31-08

DWG. NO. **AI-1716**