

# Amherst Series Model B102 6 Foot Portable or Surface Mount Contour Steel Bench



*Model B102/CN-6 6 Ft. Portable/Surface Mount  
Contour Steel Bench with Green Powder Coat finish*

- **Sturdy welded steel frames**
- **Contour design**
- **Integrated armrests**
- **Bolt together assembly reduces shipping costs**
- **Plasma cut design in seat complements Pilot Rock Amherst Trash Receptacle Holders**
- **Quality construction throughout**

## **SPECIFICATIONS:**

- **Model B102** end frames are one-piece welded construction of 2" x 2" x 11 ga. wall square tube forming two legs, a seat support, a back support, and an armrest. 1/4" thick steel mounting plates welded to the bottom of each leg include 9/16" holes for anchoring to hard surfaces (anchors not included).
- **Standard:** Seat and back are made of 7 ga. steel plate, plasma cut with a pattern of openings. A 1" x 2" x 11 ga. wall rectangular steel tube frame is welded to the plate for support. The seat and back bolt to the end frames by means of predrilled holes and 3/8" bolts.
- Seat height is 17" (nom.).
- **Model B102/CB-6** is a nom. 6 ft. in length.
- **Standard:** Finish is Black Powder Coat (indicated by "/CB" in model no., e.g. B102/CB-6).
- Bench is shipped unassembled.
- All fasteners are provided for assembly.
- **Optional:** Color choices of powder coated steel frame components. For optional colors choices see Specification Bulletin # SPC-CO-001.
- **Optional:** A choice of backrest design patterns are available. For information, please inquire.

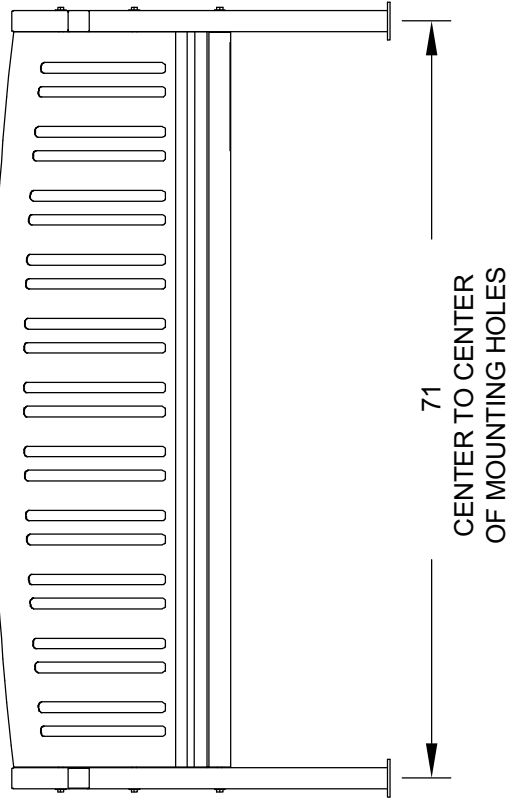
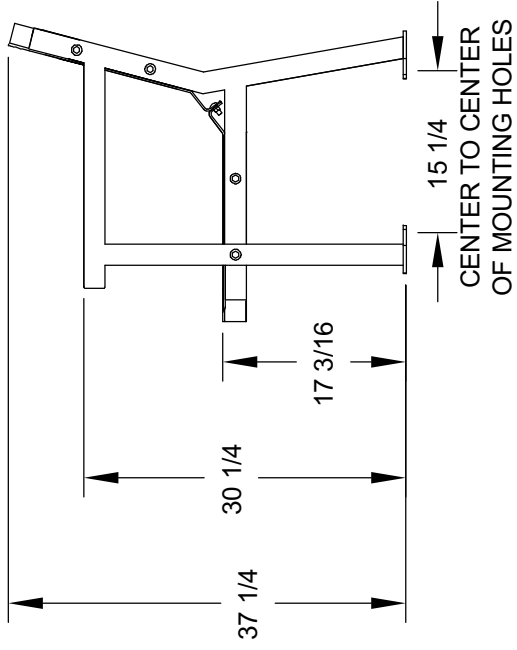
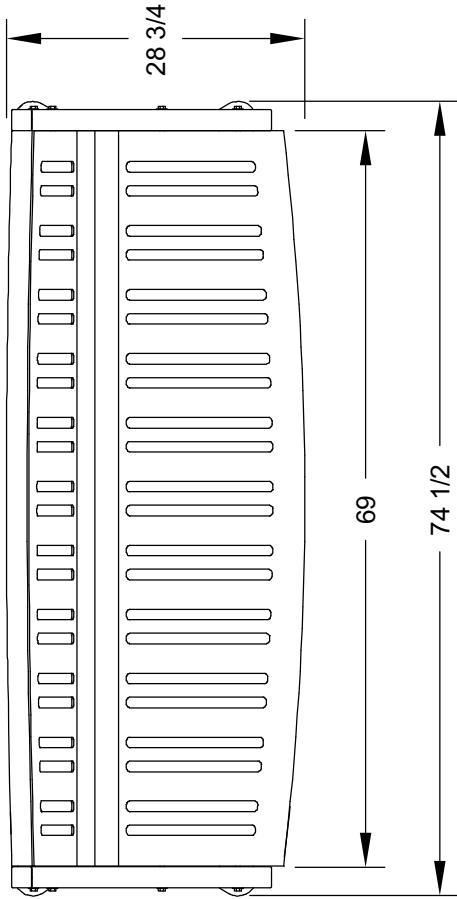
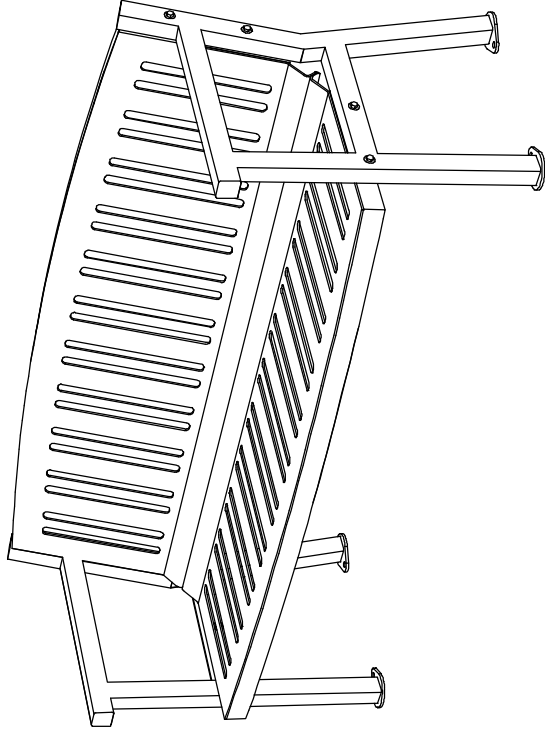
## **AVAILABLE OPTIONS**

- **Choice of colors of Powder Coat Finish**
- **Choice of backrest design patterns**

**RJThomas Mfg. Co., Inc.**

PO Box 946 • Cherokee, IA 51012-0946 • PH: 712-225-5115 • 800-762-5002 • FAX: 712-225-5796  
E-mail: [pilotrock@rjthomas.com](mailto:pilotrock@rjthomas.com) • Web Site: <http://www.pilotrock.com>

© 2008 RJThomas Mfg. Co., Inc. PILOT ROCK® Park Products is a registered trademark of RJThomas Mfg. Co., Inc.



ALL DIMENSIONS IN INCHES

**RJ Thomas Mfg. Co., Inc.**  
 P.O. Box 946 • Cherokee, IA 51012-0946

DRAWN BY  
**WWM**

TITLE MODEL B102 AMHERST SERIES 6 FOOT PORTABLE/SURFACE MOUNT  
 CONTOUR STEEL BENCH

DATE 8-20-08

DWG. NO. **AJ-1661**