

Grey Creek Series, Model B30 4 and 6 Ft. Surface Mount Bench with Lumber Timbers



*Model B30/CB-6CO34 6 Ft. Surface Mount Bench
with Black Powder Coat Frames
and Construction Heart Redwood 3" x 4" Timbers.*

- **Comfortable seat design may be accessed from either side**
- **Wide, comfortable armrest loops integrated into end frames**
- **Sturdy, formed and welded steel frame construction**
- **Powder Coat or Hot Dip Galvanized frame finish**
- **Precision drilled Hardwood 3" x 4" Timbers**
- **Quality construction throughout**

SPECIFICATIONS:

- **Model B30** series end frames are one-piece welded construction with 3/8" x 2-1/2" A-36 flat steel bar legs and die-formed foot with 25/32" dia. anchor holes. Seat bracket are constructed of 3/8" x 2-1/2" A-36 flat steel bar with holes to mount four 3" x 4" timbers. The end frames include a welded-on circular armrest formed from 1/4" x 2-1/2" A-36 flat steel bar.
- **Model B30-4** is a nom. 4 ft. in length.
- **Model B30-6** is a nom. 6 ft. in length.
- Benches are designed to be permanently surface mounted using 25/32" dia. holes provided in each frame foot for use with concrete anchors (anchors not included).
- **Standard:** Frames are finished in Black powder coat (indicated by "/CB" in model no., e.g. B30/**CB**-4CO34).
- **Standard:** Lumber is Construction Heart Redwood 3" x 4" nominal sized timbers (indicated by "CO" in model no., e.g. B30/**CB**-4**CO**34). All timbers are precision drilled for fast, easy assembly and have all exposed edges removed to a 3/8" radius with a bullnose profile timber used on outside positions.
- **Optional:** Frames are hot-dip galvanized after fabrication to ASTM-A123 to maintain an average zinc coating of 2.0 oz. per sq. ft. of surface area. (To specify, change "/CB" in model no. to "/G", e.g. B30/**G**-4CO34).
- All fasteners are provided for assembly.
- **Optional:** Color choices of powder coated steel frame components. For optional colors choices see Specification Bulletin #SPC-CO-001.

AVAILABLE OPTIONS

4' or 6' models

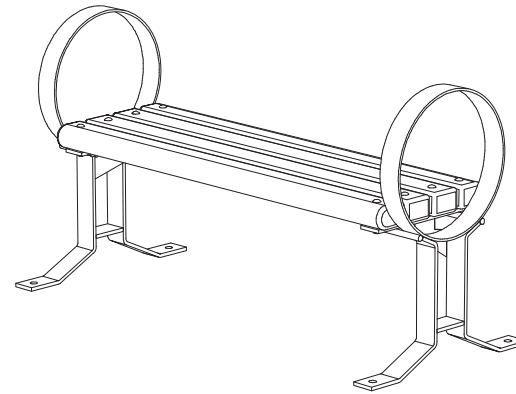
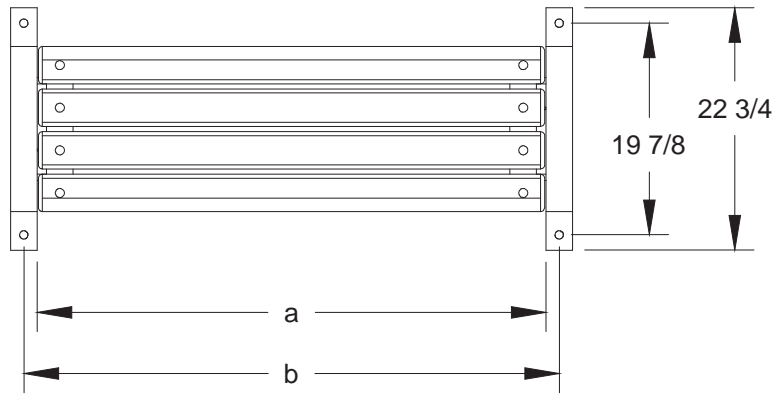
Powder Coat Finish in choice of colors or Hot Dip Galvanized steel frame components

Custom Lettering and Plaques available (call for details)

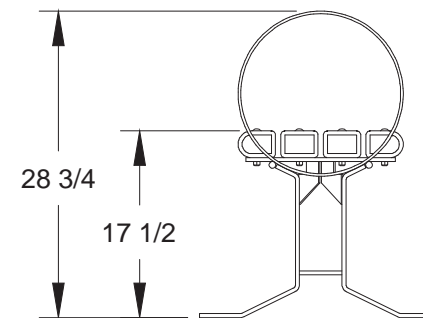
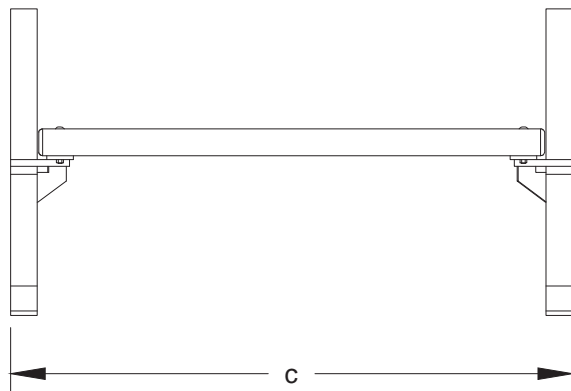
RJ Thomas Mfg. Co., Inc.

PO Box 946 • Cherokee, IA 51012-0946 • PH: 712-225-5115 • 800-762-5002 • FAX: 712-225-5796
E-mail: pilotrock@rjthomas.com • Web Site: <https://www.pilotrock.com>

© 2021 RJ Thomas Mfg. Co., Inc. PILOT ROCK® Park Products is a registered trademark of RJ Thomas Mfg. Co., Inc.



MODEL NUMBER	DIMENSION		
	a	b	c
B30-4	47 3/4	50 1/4	52 3/4
B30-6	71 3/4	74 1/4	76 3/4



ALL DIMENSIONS IN INCHES

RJThomas Mfg. Co., Inc.
P.O. Box 946 • Cherokee, IA 51012-0946

DRAWN BY
WWM

TITLE **GREY CREEK SERIES MODEL B30 4 AND 6 FOOT FLAT SURFACE MOUNT BENCH WITH 3" x 4" LUMBER TIMBERS**

DATE **06-07-21**

DWG. NO. **AI-1504**