

Grey Creek Series, Model B31 Embedded Mount 3, 4, and 6 Ft. Bench with Lumber Timbers



*Model B31/CB-6IB34 6 Ft. Embedded Mount Bench
with Black Powder Coat Frames
and Indonesian Balau Wood 3" x 4" Timbers.*

- **Comfortable seat design may be accessed from either side**
- **Design offers extensions to make longer benches with additional armrests**
- **Wide, comfortable armrest loops integrated into end frames**
- **Sturdy, formed and welded steel frame construction**
- **Powder Coat or Hot Dip Galvanized frame finish**
- **Precision drilled Hardwood 3" x 4" Timbers**
- **Quality construction throughout**

SPECIFICATIONS:

- **Model B31 Series** end frames are one-piece welded construction with 3/8" x 2-1/2" A-36 flat steel bar legs. Seat brackets are constructed of 3/8" x 2-1/2" A-36 flat steel bar with holes to mount four 3" x 4" timbers. The end frames include a welded-on circular armrest formed from 1/4" x 2-1/2" A-36 flat steel bar.
- **Model B31-3** is a nom. 3 ft. in length.
- **Model B31-4** is a nom. 4 ft. in length.
- **Model B31-6** is a nom. 6 ft. in length.
- Benches are designed to be permanently anchored by embedding bench legs in concrete footings.
- **Standard:** Frame are finished in Black powder coat (indicated by "/CB" in model no., e.g. B31/CB-3IB34).
- **Standard:** Lumber is Indonesian Balau Wood 3" x 4" nominal sized timbers (indicated by "IB" in model no., e.g. B31/CB-3IB34). All timbers are precision drilled for assembly and have all exposed edges removed to a 3/8" radius with a bullnose profile timber used on outside positions.
- All fasteners are provided for assembly.
- **Optional:** Color choices of powder coated steel frame components. For optional colors choices see Specification Bulletin #SPC-CO-001.
- **Optional:** Frames are hot-dip galvanized after fabrication to ASTM-A123 to maintain an average zinc coating of 2.0 oz. per sq. ft. of surface area. (To specify, change "/CB" in model no. to "/G", e.g. B31/G-3IB34).
- **Optional:** Lumber is Construction Heart Redwood. (To specify, change "IB" in model no. to "CO" for Construction Heart Redwood, e.g. B31/CB-3CO34.)
- Bench extensions of a matching design are available on 3 and 4 ft. bench models. For additional information please refer to Specification Bulletin #SPC-BC-011.

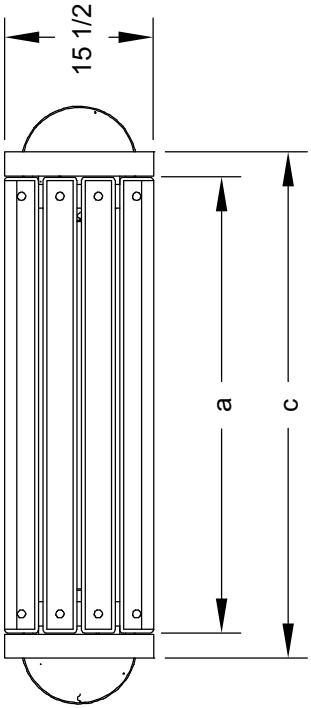
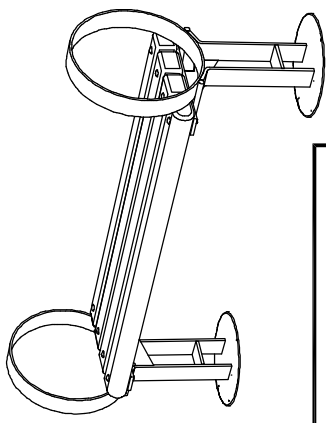
AVAILABLE OPTIONS

- 3', 4', or 6' models
- Powder Coat Finish in choice of colors or Hot Dip Galvanized steel frame components
- Construction Heart Redwood lumber
- Bench Extensions for 3' and 4' benches
- Custom Lettering and Plaques available (call for details)

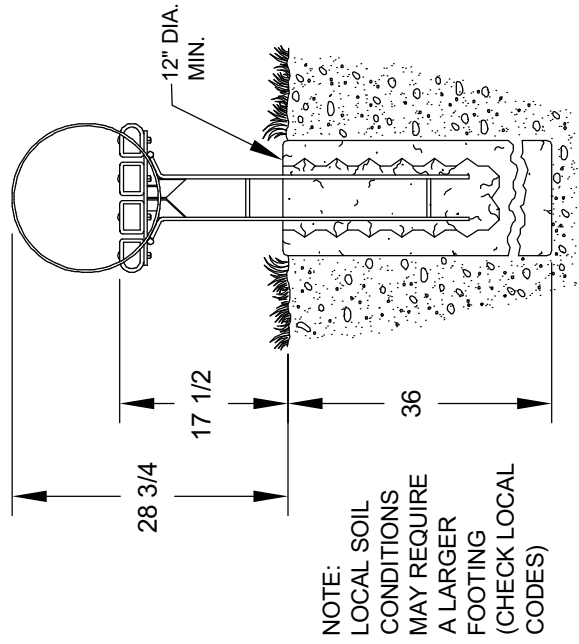
RJ Thomas Mfg. Co., Inc.

PO Box 946 • Cherokee, IA 51012-0946 • PH: 712-225-5115 • 800-762-5002 • FAX: 712-225-5796
E-mail: pilotrock@rjthomas.com • Web Site: <http://www.pilotrock.com>

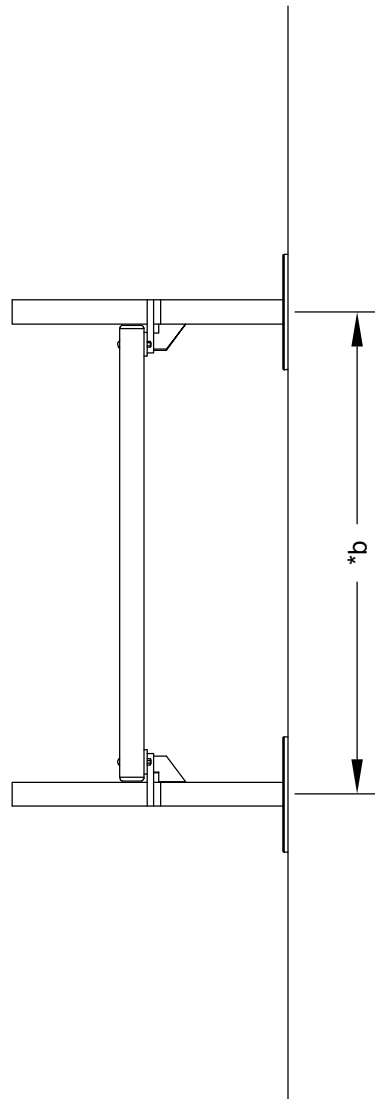
© 2012 RJ Thomas Mfg. Co., Inc. PILOT ROCK® Park Products is a registered trademark of RJ Thomas Mfg. Co., Inc.



MODEL NUMBER	DIMENSION		
	a	b	c
B31-3	35 1/2	38 1/4	40 3/4
B31-4	47 1/2	50 1/4	52 3/4
B31-6	71 1/2	74 1/4	76 3/4



NOTE:
 LOCAL SOIL
 CONDITIONS
 MAY REQUIRE
 A LARGER
 FOOTING
 (CHECK LOCAL
 CODES)



*CTR TO CTR
 OF FRAME POSTS

ALL DIMENSIONS IN INCHES

RJThomas Mfg. Co., Inc.
 P.O. Box 946 • Cherokee, IA 51012-0946

DRAWN BY
WWM

TITLE
 GREY CREEK SERIES MODEL B31 3, 4, AND 6 FOOT FLAT EMBEDDED MOUNT
 BENCHES WITH 3" x 4" LUMBER TIMBERS

DATE 8-29-08

DWG. NO. AI-1567