



*Model B60/CN-4IB34 Surface Mount Bench
with Green Powder Coat Frames,
4 Ft. long with Indonesian Balau Wood 3" x 4" Timbers.*

- **Comfortable seat design may be accessed from either side**
- **Design offers extensions to make longer benches with additional armrests**
- **Wide curves at the corners of the frames also serve as comfortable armrests**
- **Sturdy, formed and welded steel frame construction**
- **Powder Coat frame finish**
- **Precision drilled Hardwood 3" x 4" Timbers**
- **Quality construction throughout**

SPECIFICATIONS:

- **Model B60 Series** end frames are one-piece welded construction with frame to meet 2" nominal steel pipe size specifications (2-3/8" O.D.) and each corner to be formed on a nominal 6" centerline radius. Seat brackets are constructed of 3-1/8" x 2" x 7 Ga die-formed steel angle with holes to mount six 3" x 4" timbers.
- Bench is designed to be permanently surface mounted using 9/16" dia. holes provided in each base plate for use with concrete anchors (anchors not included).
- **Model B60-3** is a nom. 3 ft. in length.
- **Model B60-4** is a nom. 4 ft. in length.
- **Model B60-6** is a nom. 6 ft. in length.
- **Standard:** Frames are finished in Black powder coat (indicated by "/CB" in model no., e.g. B60/CB-3IB34).
- **Standard:** Lumber is Indonesian Balau Wood 3" x 4" nominal sized timbers (indicated by "IB" in model no., e.g. B60/CB-3IB34). All timbers are precision drilled for assembly and have all exposed edges removed to a 3/8" radius with a bullnose profile timber used on outside positions.
- All fasteners are provided for assembly.
- **Optional:** Color choices of powder coated steel frame components. For optional colors choices see Specification Bulletin #SPC-CO-001.
- **Optional:** Lumber is Construction Heart Redwood. (To specify, change "IB" in model no. to "CO" for Construction Heart Redwood, e.g. B60/CB-3CO34.)
- Bench extensions of a matching design are available on 3 and 4 ft. bench models. For additional information please refer to Specification Bulletin #SPC-BC-075.

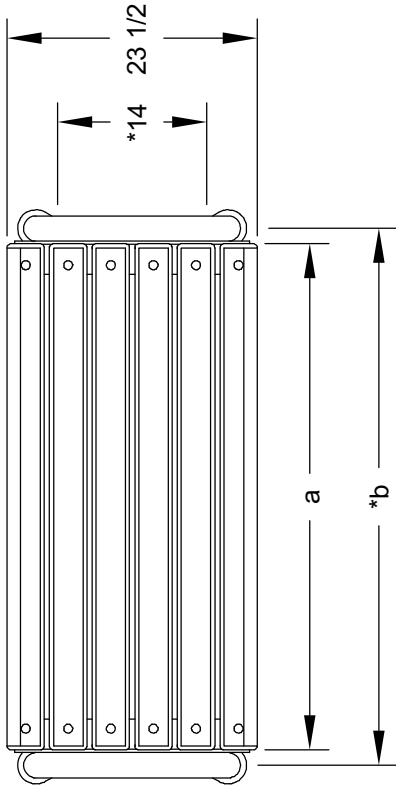
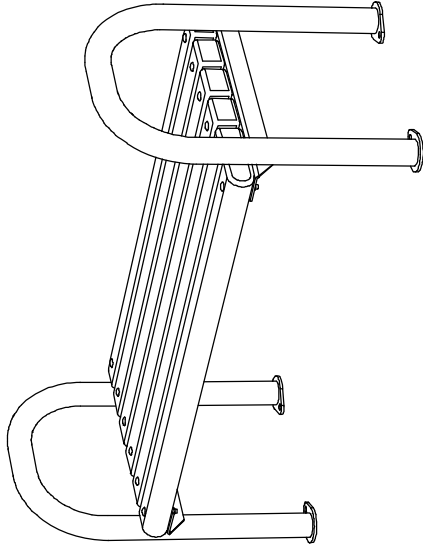
AVAILABLE OPTIONS

- **3', 4', or 6' models**
- **Choice of colors of Powder Coat Finish on steel frame components**
- **Construction Heart Redwood lumber**
- **Bench Extensions for 3' and 4' benches**
- **Custom Lettering and Plaques available (call for details)**

RJ Thomas Mfg. Co., Inc.

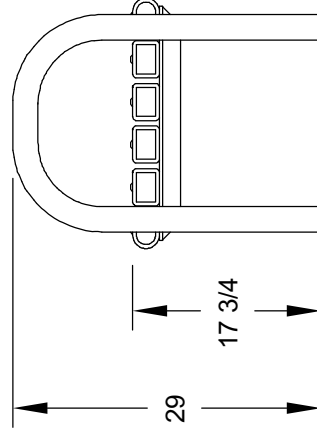
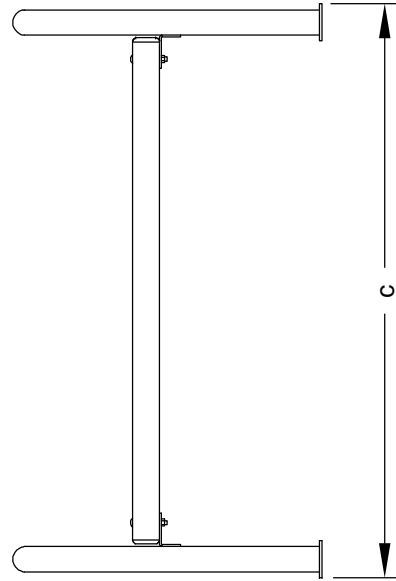
PO Box 946 • Cherokee, IA 51012-0946 • PH: 712-225-5115 • 800-762-5002 • FAX: 712-225-5796
E-mail: pilotrock@rjthomas.com • Web Site: <http://www.pilotrock.com>

© 2012 RJ Thomas Mfg. Co., Inc. PILOT ROCK® Park Products is a registered trademark of RJ Thomas Mfg. Co., Inc.



*CTR TO CTR OF MOUNTING HOLES

MODEL NUMBER	DIMENSION		
	a	*b	c
B60-3	35 1/2	38 3/8	41 7/8
B60-4	47 1/2	50 3/8	53 7/8
B60-6	71 1/2	74 3/8	77 7/8



ALL DIMENSIONS IN INCHES

RJThomas Mfg. Co., Inc.
 P.O. Box 946 • Cherokee, IA 51012-0946

DRAWN BY
WWM

TITLE RIVERVIEW SERIES MODEL B60 3, 4, AND 6 FOOT FLAT SURFACE MOUNT
 BENCHES WITH 3" X 4" LUMBER TIMBERS

DATE 8-28-08

DWG. NO. **AI-1553**