

Riverview Series, Model B61 Embedded Mount 3 and 4 Ft. Bench with Recycled Plastic Timbers



*Model B61/CN-4PY34 Embedded Mount Bench
with Green Powder Coat Frames,
4 Ft. long with Yellow Recycled Plastic 3" x 4" Timbers.*

- **Comfortable seat design may be accessed from either side**
- **Design offers extensions to make longer benches with additional armrests**
- **Wide curves at the corners of the frames also serve as comfortable armrests**
- **Sturdy, formed and welded steel frame construction**
- **Powder Coat frame finish**
- **Precision drilled 100% Recycled Plastic 3" x 4" Timbers**
- **Quality construction throughout**

SPECIFICATIONS:

- **Model B61 Series** end frames are one-piece welded construction with frame to meet 2" nominal steel pipe size specifications (2-3/8" O.D.) with each corner to be formed on a nominal 6" centerline radius. Seat brackets are constructed of 3-1/8" x 2" x 7 ga. die-formed steel angle with holes to mount six 3" x 4" timbers.
- Bench is designed to be permanently anchored by embedding bench legs in concrete footings.
- **Model B61-3** is a nom. 3 ft. in length.
- **Model B61-4** is a nom. 4 ft. in length.
- **Standard:** Frames are finished in Black powder coat (indicated by "/CB" in model no., e.g. B61/CB-3PC34).
- **Standard:** Seat is made of 100% Recycled Plastic molded into 3# x 4# nominal sized timbers with solid Cedar color (indicated by "PC" in model no., e.g. B61/CB-3PC34) formed throughout and a U.V. stabilizer added for ultra-violet protection. All timbers are precision drilled for assembly and all edges have a molded 3/8# radius with a bullnose profile timber used on outside positions.
 - All fasteners are provided for assembly.
- **Optional:** Color choices of powder coated steel frame components. For optional colors choices see Specification Bulletin #SPC-CO-001.
- **Optional:** Color choices of Recycled Plastic components. For optional colors choices see Specification Bulletin #SPC-CO-001.
- Bench extensions of a matching design are available on 3 and 4 ft. bench models. For additional information please refer to Specification Bulletin #SPC-BC-080.

AVAILABLE OPTIONS

3' or 4' models

Choice of colors of Powder Coat Finish on steel frame components

Choice of colors of Recycled Plastic

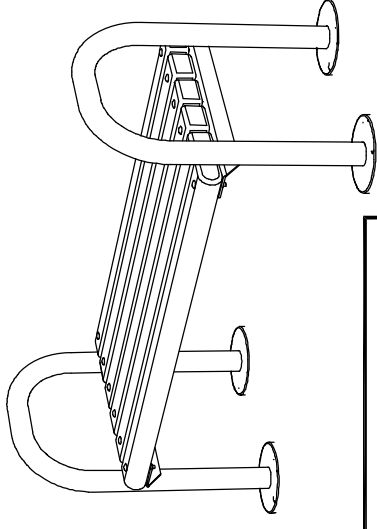
Bench Extensions for 3' and 4' benches

Custom Lettering and Plaques available (call for details)

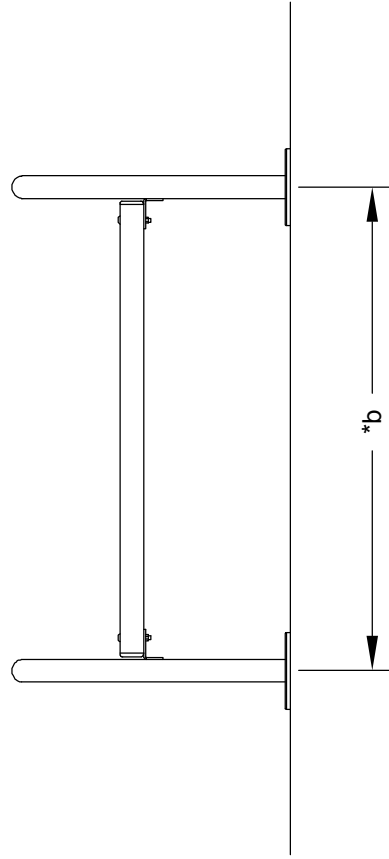
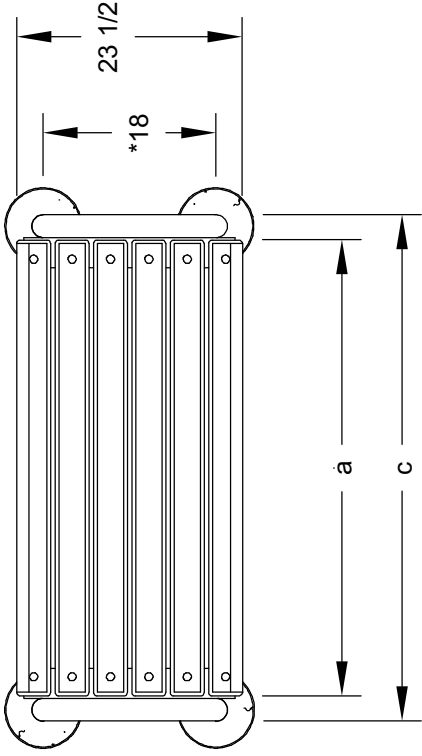
RJThomas Mfg. Co., Inc.

PO Box 946 • Cherokee, IA 51012-0946 • PH: 712-225-5115 • 800-762-5002 • FAX: 712-225-5796
E-mail: pilotrock@rjthomas.com • Web Site: <http://www.pilotrock.com>

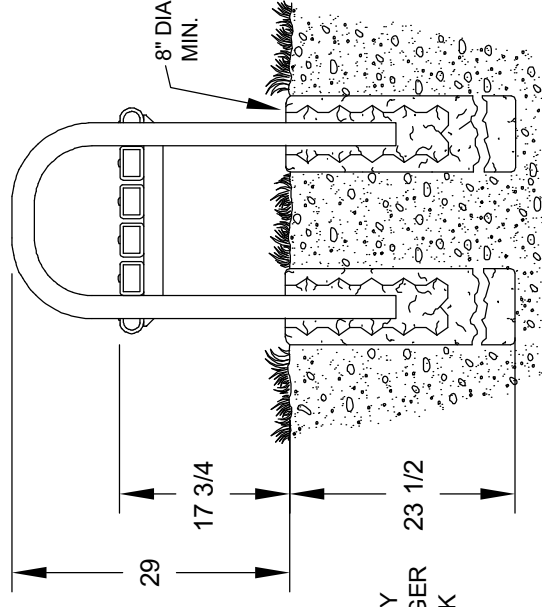
© 2008 RJThomas Mfg. Co., Inc. PILOT ROCK® Park Products is a registered trademark of RJThomas Mfg. Co., Inc.



MODEL NUMBER	DIMENSION		
	a	*b	c
B61-3	35 1/2	38 3/8	40 3/4
B61-4	47 1/2	50 3/8	52 3/4



*CTR TO CTR
OF FRAME POSTS



NOTE:
LOCAL SOIL
CONDITIONS MAY
REQUIRE A LARGER
FOOTING (CHECK
LOCAL CODES)

ALL DIMENSIONS IN INCHES

RJThomas Mfg. Co., Inc.
P.O. Box 946 • Cherokee, IA 51012-0946

DRAWN BY
WWM

TITLE RIVERVIEW SERIES MODEL B61-3 AND 4 FOOT FLAT EMBEDDED MOUNT BENCH
WITH 3" X 4" RECYCLED PLASTIC TIMBERS

DATE 8-28-08

DWG. NO. AI-1601