

Oak Knoll Series, Model B94 Surface Mount 4, 6, and 8 Ft. Contour Bench with Steel Strap Seat



*Model B94/CB-6SS Surface Mount Bench
with Black Powder Coat Frames, 6 Ft. long
with Black Powder Coat Steel Strap seat.*

- **Comfortable contour seat design**
- **Frame design include comfortable armrests**
- **Sturdy cast aluminum end frames. Formed and welded steel seat and brace components**
- **Powder Coat frame finish**
- **Powder Coated finish on Steel Strap seat**
- **Easy bolt together assembly**
- **Quality construction throughout**

SPECIFICATIONS:

- **Model B94 Series** end frames are a one-piece molded cast aluminum construction with armrests incorporated into the design.
- Frames shall be supported by a horizontal brace of 1.9" O.D. x 11 ga. wall steel pipe.
- Bench is designed to be permanently surface mounted using 9/16" dia. holes provided in each leg foot for use with anchors (anchors not included).
- **Model B94-4** is a nom. 4 ft. in length.
- **Model B94-6** is a nom. 6 ft. in length.
- **Model B94-8** is a nom. 8 ft. in length.
- **Standard:** Seat is a one piece welded assembly made of 2" wide by 1/8" thick steel straps welded to 2-3/8" dia. x .120" wall steel tubes and 7 ga. end plates. Straps are wrapped around tubes to form a smooth curved outer edge of seat.
- **Standard:** All steel and cast aluminum frame components are finished in Black powder coat (indicated by "/CB" in model no., e.g. B94/CB-4SS).
- **Standard:** Contour seat is finished in Black powder coat (indicated by "/CB" in model no., e.g. B94/CB-4SS).
- All fasteners are provided for assembly.
- **Optional:** Color choices of powder coated finish. For optional colors choices see Specification Bulletin #SPC-CO-001.
- **Optional:** A cast aluminum bolt-on center armrest with matching powder coat finish is available. Order as separate item, AR/CB-10

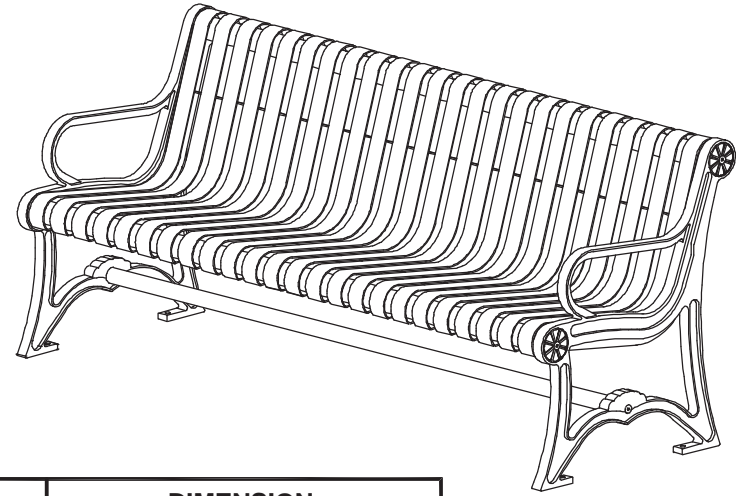
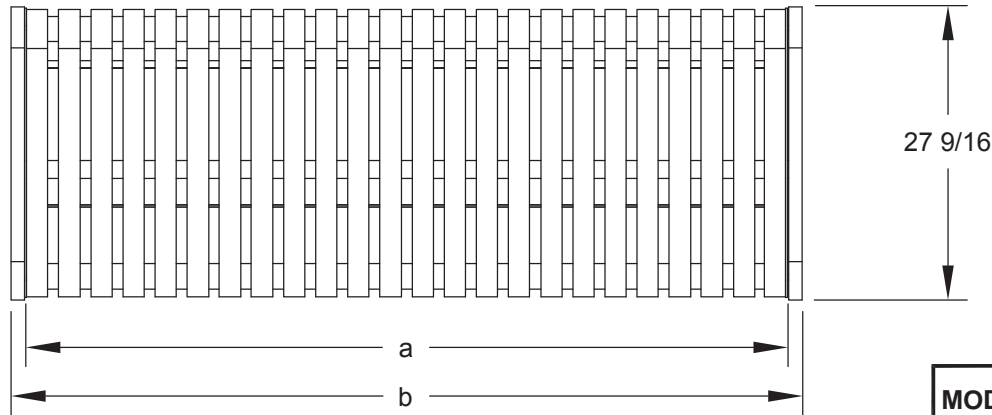
AVAILABLE OPTIONS

- 4', 6', or 8' models
- Choice of colors of Powder Coat Finish
- Custom plaques
- Armrest

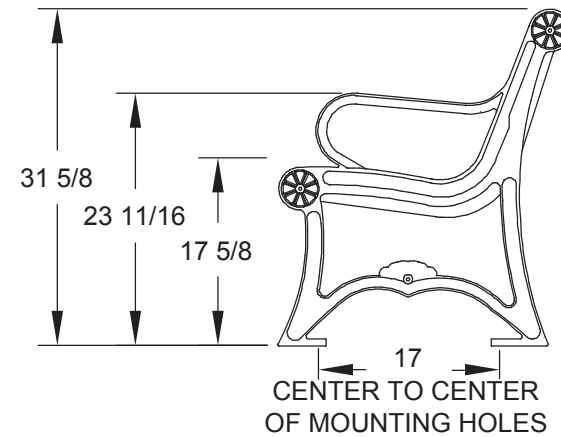
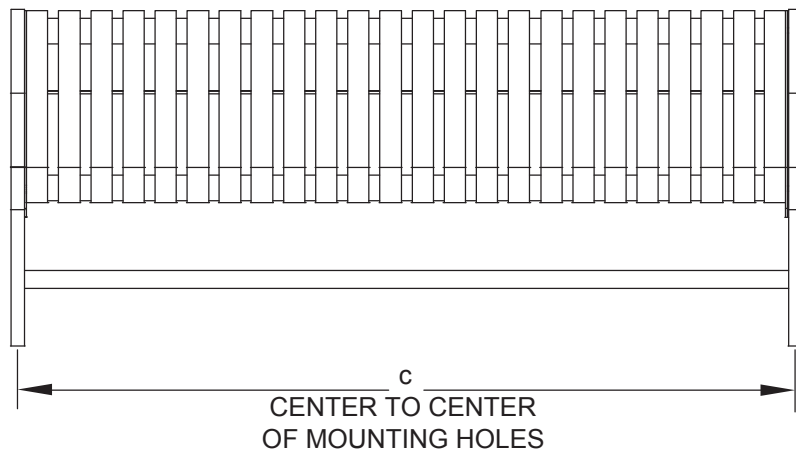
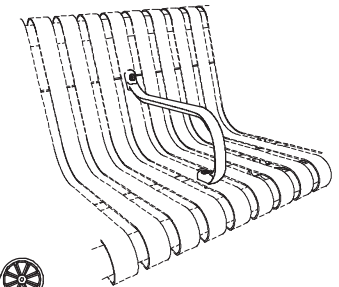
RJ Thomas Mfg. Co., Inc.

PO Box 946 • Cherokee, IA 51012-0946 • PH: 712-225-5115 • 800-762-5002 • FAX: 712-225-5796
E-mail: pilotrock@rjthomas.com • Web Site: <http://www.pilotrock.com>

© 2014 RJ Thomas Mfg. Co., Inc. PILOT ROCK® Park Products is a registered trademark of RJ Thomas Mfg. Co., Inc.



MODEL NUMBER	DIMENSION		
	a	b	c
B94-4	47 1/2	50 1/4	49
B94-6	71 1/2	74 1/4	73
B94-8	95 1/2	98 1/4	97



OPTIONAL
ARMREST
AR-10

ALL DIMENSIONS IN INCHES

RJThomas Mfg. Co., Inc.
P.O. Box 946 • Cherokee, IA 51012-0946

DRAWN BY
WWM

TITLE OAK KNOLL SERIES MODEL B94 4, 6, AND 8 FOOT CONTOUR SURFACE MOUNT BENCH WITH CASTALUMINUM END FRAMES & STEEL STRAP SEAT & BACK

DATE 4-04-16

DWG. NO. AI-1737