



*Model BPFL/CUT-15, 15 cu. ft. Bear Resistant Food Locker
with blue textured powder coated finish.*

- **Certified by the Interagency Grizzly Bear Committee**
- **Model BPFL-15: IGBC Certificate #5104**
- **15 cubic foot capacity protects food and property from bears**
- **12 ga. steel plate construction**
- **12 ga. pregalvanized steel plate bottom panel**
- **Reinforced door has full length continuous hinge and reinforced latch**
- **Latch can be operated from inside for safety**
- **Air louvers in back panel allow ventilation but restrict insect access**
- **Top interior support channel includes hooks for hanging bags**
- **Leveling feet with included concrete anchors adjust for uneven mounting surface**
- **Units can be stacked to maximize storage capacity in small spaces**
- **Textured powder coat finish**



AVAILABLE OPTIONS

Textured powder coat finish available in five colors

SPECIFICATIONS:

- **Model BPFL-15** Bear Resistant Food Locker provides secure storage of food and property in camping areas where bears frequently raid campsites for food. The locker has been tested and certified by the Interagency Grizzly Bear Committee as being bear resistant.
- **Model BPFL-15** has nominal overall dimensions of 40-3/8"h x 26"w x 34-1/2"d.
- Nominal outside locker box dimensions are 33"h x 26"w x 34-1/2"d, creating a 15 cu. ft. inside capacity.
- The food locker box is constructed of die-formed 12 ga. steel plate side, back, and top panels welded to die-formed 12 ga. steel channels that form a reinforcing framework.
- The door is die-formed 12 ga. steel plate with steel angle reinforcement, mounted on a stainless steel continuous hinge. The reinforced steel latch secures the door at the top and bottom. An outside cover over the latch allows human operation while preventing access by bears. As a safety feature, the latch can be operated from inside the locker.
- All Food Lockers are equipped with a Hasp that extends through a slot in the top of the Door on Model BPFL-15. A Padlock may be attached through the Hole in the Hasp to make the Food Lockers even more secure.
- A galvanized steel plate covers the inside latch to prevent contents inside from interfering with the latch operation on the outside.
- The back panel of the locker includes louvered ventilation openings that restrict insect access.
- The size of the locker allows most coolers to be opened while inside the locker. An interior top support channel includes cutouts designed as hooks for hanging bags.
- The bottom panel of the locker is constructed of die-formed pregalvanized 12 ga. steel.
- Four adjustable mounting plates with four 1/2" x 5" concrete screw anchors (Anchor Kit #ANC5-4) are included to allow leveling and securing on uneven surfaces. The food locker must be anchored to a concrete surface to be bear resistant.
- Bolt hole knock-outs are provided in the top panel to allow like-sized units to be stacked and secured to maximize storage in minimal spaces.
- Unit ships fully assembled, ready for installation.
- Entire unit with exception of pregalvanized bottom panel and latch assembly are finished with a brown textured powder coat enamel paint (indicated by "/CWT" in model no., e.g. BPFL/CWT-15).
- **Optional:** Textured powder coat finish is available in other colors. Change "/CWT" in model no. to "/CBT" for black, "/CNT" for green, "/CTT" for speckled tan, or "/CUT" for blue.

RJ Thomas Mfg. Co., Inc.

PO Box 946 • Cherokee, IA 51012-0946 • PH: 712-225-5115 • 800-762-5002 • FAX: 712-225-5796

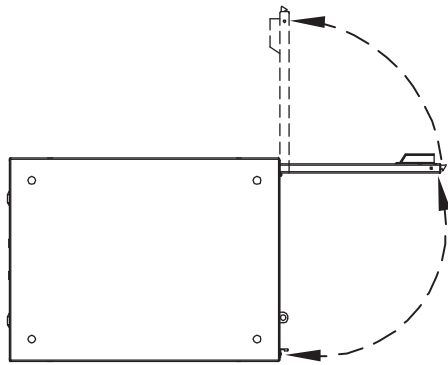
E-mail: customerservice@rjthomas.com • Web Site: <https://www.pilotrock.com>

© 2025 RJ Thomas Mfg. Co., Inc. PILOT ROCK® Park Products is a registered trademark of RJ Thomas Mfg. Co., Inc.

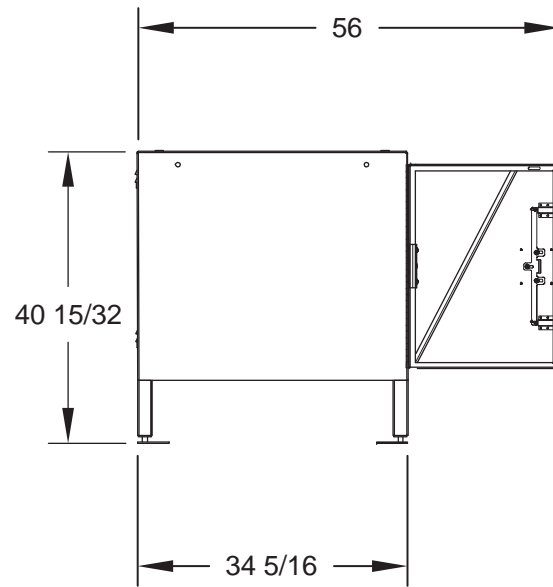
INTERAGENCY GRIZZLY BEAR COMMITTEE CERTIFIED

BPFL-15

IGBC CERTIFICATE #5104

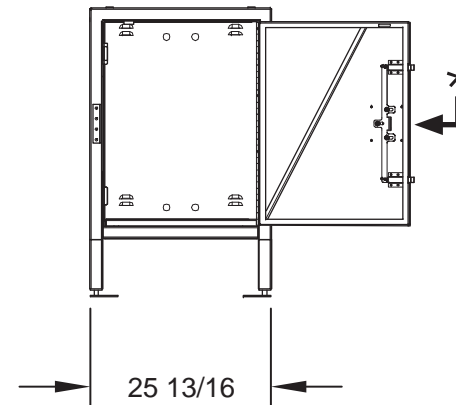


TOP VIEW

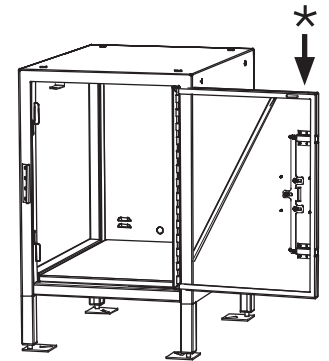
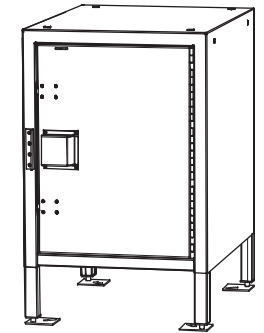


SIDE VIEW

* see notes below regarding inside latch



FRONT VIEW



* Inside latch mechanism is covered with a steel plate to prevent items stored inside from interfering with latch operation on the outside.
The cover is not shown here so that the inside latch mechanism can be illustrated.

ALL DIMENSIONS IN INCHES

RJThomas Mfg. Co., Inc.
P.O. Box 946 • Cherokee, IA 51012-0946

DRAWN BY
MFI

TITLE MODEL BPFL-15 15 CUBIC FT. BEAR RESISTANT FOOD LOCKER

DATE 2-11-16

DWG. NO. AI-2064