



*Model BR102/CR Bollard Bike Rack holds two bikes.
Red Powder Coat finish.*

- **One-piece welded construction**
- **Strong 4-1/2" OD post**
- **Models to hold two or four bike**
- **Works with all sizes of bikes and most security devices**
- **Durable powder coat finish in a choice of colors**

SPECIFICATIONS:

- **Model BR102** and **Model BR104** bike racks are a one-piece welded construction of 1-1/2" OD x 11 ga. round tubing loops welded to a 4-1/2" OD x 10 ga. wall steel center post with a 1/4" thick 8" square base plate. Base plate has four 25/32" dia. holes for mounting on hard surfaces (anchors not included).
- Design accommodates all sizes of bikes and most commercially available bike security devices.
- **Model BR102** has two loops and hold two bikes.
- **Model BR104** has four loops and hold four bikes.
- **Model BR106** has six loops and hold six bikes.
- **Standard:** Entire unit has a black powder coat finish.
- **Optional:** A choice of powder coat colors is available. For color choices see Specification Bulletin #SPC-CO-001.
- **Optional:** Anchor Kit **ANC1-4** with four 1/2" dia. x 3" screw anchors. Order separately.

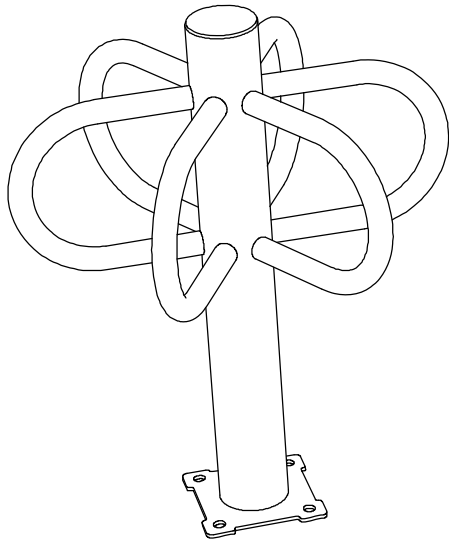
AVAILABLE OPTIONS

- 2, 4, or 6 bike models**
- Choice of colors of Powder Coat Finish**
- Anchor kit**

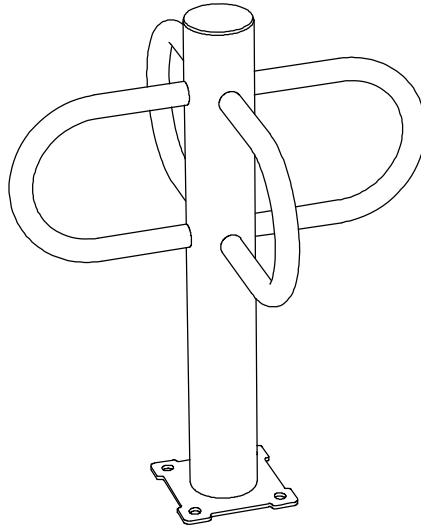
RJ Thomas Mfg. Co., Inc.

PO Box 946 • Cherokee, IA 51012-0946 • PH: 712-225-5115 • 800-762-5002 • FAX: 712-225-5796
E-mail: pilotrock@rjthomas.com • Web Site: <http://www.pilotrock.com>

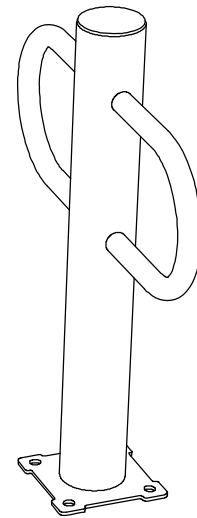
© 2008 RJ Thomas Mfg. Co., Inc. PILOT ROCK[®] Park Products is a registered trademark of RJ Thomas Mfg. Co., Inc.



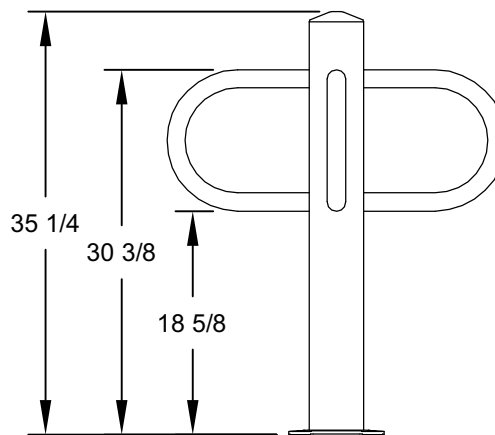
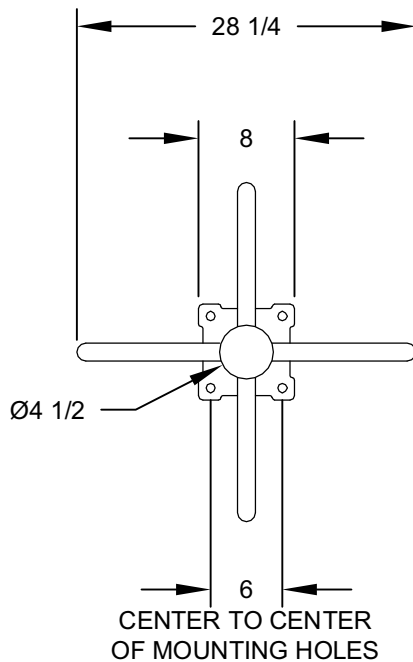
MODEL BR106
HOLDS SIX BIKES



MODEL BR104
HOLDS FOUR BIKES



MODEL BR102
HOLDS TWO BIKES



ALL DIMENSIONS IN INCHES

RJThomas
Mfg. Co., Inc.
P.O. Box 946
Cherokee, IA 51012

TITLE MODELS BR102, BR104, AND BR106 SURFACE MOUNT
BOLLARD BIKE RACK

DRAWN BY WWM

DATE 1-14-11

DWG. NO. AI-1802