



Model BR310DS/CU double-sided vertical bike rack with "Wheel" style end frames holds ten bikes. Blue powder coat finish.

- **Frame constructed of 1.66" OD 10 ga. wall steel tube**
- **Vertical stall bars are solid 5/8" steel bar**
- **Supports bike by front or rear wheel**
- **Double sided design can hold 10 to 20 bikes**
- **Racks will hold all types of bikes and work with most bike security locks**

SPECIFICATIONS:

- **BR300 Series** bike rack is a bolted assembly of two end frames and a welded center stall section.
- **BR300DS Series** bike rack is a double sided bike rack (indicated by "DS" in model no., e.g. BR310DS/CB) with a "Wheel" style end frame.
- End frames are made of a die-formed 1.66" OD 10 ga. wall steel tube ring with 1/2" dia. round steel bar spokes and 1/4" thick steel tabs provided for attachment of center stall section.
- Center stall section is a one-piece welded construction of horizontal 1.66" OD 10 ga. wall steel tube and vertical 5/8" dia. solid steel bars. Vertical bars are groups of three with 2-1/4" spacing for bike wheels.
- **Model BR310DS** is double sided, hold ten bikes, and has a total nominal length of 80".
- **Model BR320DS** is double sided, extended, hold twenty bikes, and has a total nominal length of 153".
- All fasteners are provided for assembly.
- All steel components are powder coated black (indicated by "/CB" in model no., e.g. BR310 DS/CB).
- Color choices of powder coated finish on steel components. For optional colors choices see Specification Bulletin #SPC-CO-001.
- **Optional: Anchor Kits** of 3/8" x 3" screw anchors are available to secure bike racks to concrete surfaces. Order by kits below:
 - Model BR310DS** Kit# ANC3-4 (set of 4)
 - Model BR320DS** Kit# ANC3-6 (set of 6)

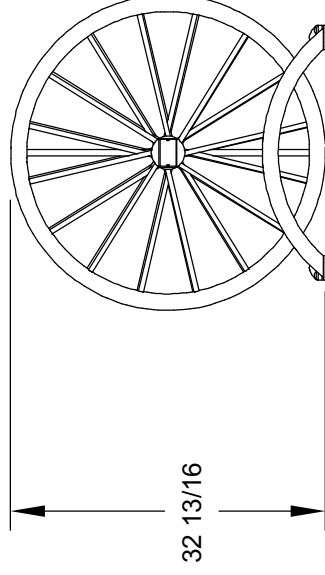
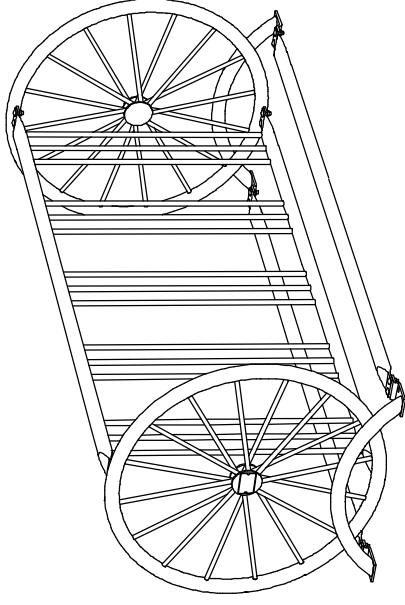
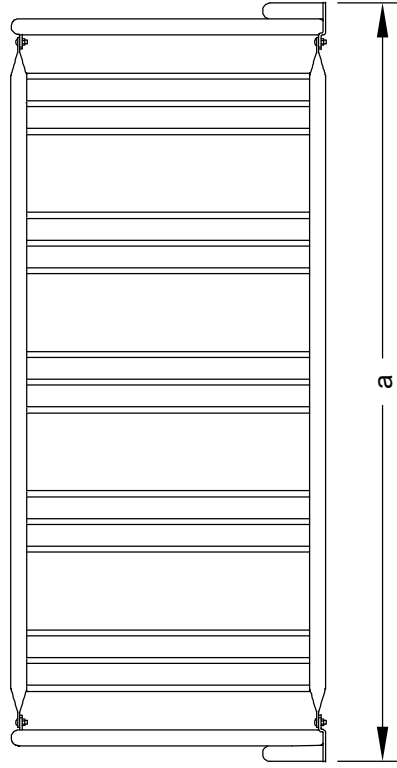
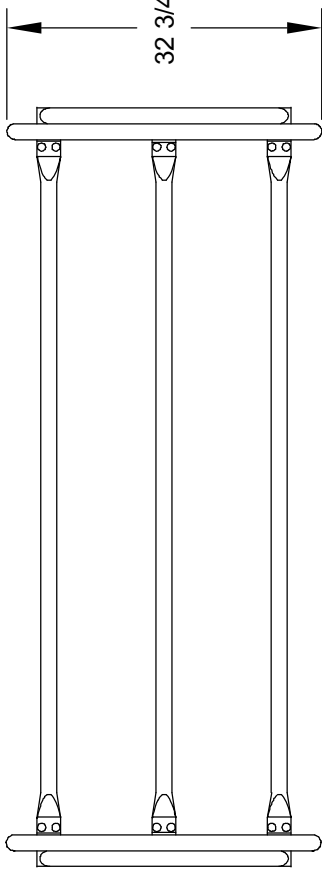
AVAILABLE OPTIONS

- Extendable
- Choice of colors of powder coat finish
- Anchor kits

RJThomas Mfg. Co., Inc.

PO Box 946 • Cherokee, IA 51012-0946 • PH: 712-225-5115 • 800-762-5002 • FAX: 712-225-5796
E-mail: pilotrock@rjthomas.com • Web Site: <http://www.pilotrock.com>

© 2008 RJThomas Mfg. Co., Inc. PILOT ROCK® Park Products is a registered trademark of RJThomas Mfg. Co., Inc.



MODEL NUMBER	DIMENSION	SIDES OPEN	NUMBER OF BIKES	FRAME CONFIGURATION
	a			
BR310SS	79-3/4	2	10	
BR320SS	156-5/16	2	20	

ALL DIMENSIONS IN INCHES

RJ Thomas Mfg. Co., Inc.
 P.O. Box 946 • Cherokee, IA 51012-0946

DRAWN BY
WWM

TITLE **BR300DS SERIES "WHEEL" STYLE DOUBLE SIDED VERTICAL BIKE RACK**

DATE 9-10-08

DWG. NO. **AI-1804**