

# CN-Q-36 Square Steel Frame & Inlay Trash Receptacle



*Model CN-Q/CB-36PA square frame receptacle with black powder coated frame and gray recycled plastic slates. Shown with Model TQ/CB-2410 square flat lid.*

- **Unit can easily be surface mounted using optional anchor kit**
- **11 ga. square steel tube frame construction**
- **1" x 4" 100% Recycled Plastic Side panel Inlays with solid color and U.V. stabilizer for ultraviolet protection**
- **Simple bolt together assembly**
- **Powder coat finish on frames**
- **Sized to accommodate 30-36 gal. trash cans and liners**

## SPECIFICATIONS:

- **Model CN-Q-36** square frame receptacle is fabricated using 2" x 2" x 11 ga. square steel tube and steel channel for the four side panel frames. Each side frame is a welded single unit. Each corner post includes an anchor plate to secure the receptacle on site if desired (anchor bolts not included). Exposed ends of tubing are permanently sealed with welded-on steel end caps.
- **Standard:** Side panel inlay materials are 100% Recycled Plastic molded into 1" x 4" (nom.) planks in gray color (indicated by "PA" in model no., e.g. CN-Q/CB-36PA) set flush with the top of the frame to provide an even surface.
- All inlay planks are installed at the factory. Assembly of four side panels to each other is required on site.
- **Standard:** All steel frame components have a black powder coat finish (indicated by "/CB" in model no., e.g. CN-Q/CB-36PA).
- All fasteners are provided for steel component assembly.
- **Optional:** Color choices of powder coat finish on steel frame components. See Specification Bulletin #SPC-CO-001.
- **Optional:** Color choices of Recycled Plastic components. See Specification Bulletin #SPC-CO-001.
- **Optional:** Model ANC3-4 Anchor Kit (four 3/8" x 3" concrete screw anchors) for hard surface mounting.

## LID OPTIONS

- **Model CN-PQD/◆-24** Pilot Rock Plastic Dome Hatch Lid
- **Model TQ/◆-2410** Flat Steel Lid with 10" opening
- **Model TQ/◆-2410R** Flat Steel Lid with 10" opening and rain cover
- **Model TQ/◆-2410A** Flat Steel Lid with 10" opening, rain cover and ashtray
- **Model CN/B-1826** Flat Molded Plastic Lid with 10" center opening
  - ◆ Indicates choice of finish or color — Inquire for specific model options

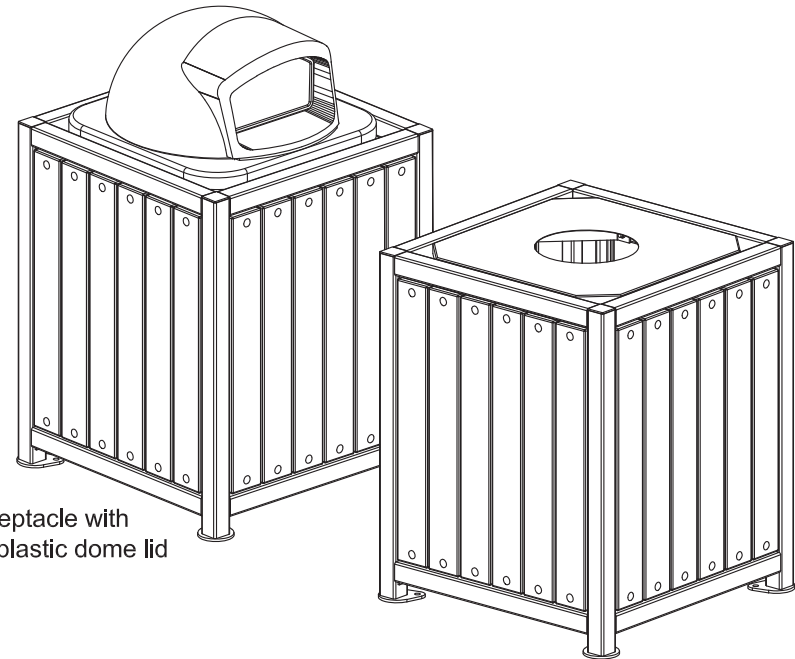
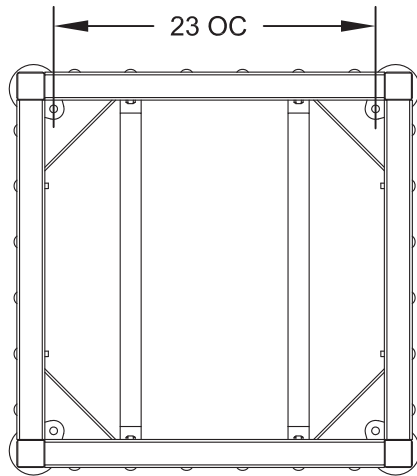
## CAN AND LINER OPTIONS

- Model CNG-2310CL:** Regular-duty, 31 gal. capacity, galvanized steel can with lid
- Model CN/B-1827:** 36 gal. capacity, heavy-duty, rigid plastic liner
- Model CN-4132C:** 30 gal. capacity, plastic liner
- Model CNG-WHD32CL:** Federal Duty, 32 gal. capacity, galvanized steel can with lid

**RJ Thomas Mfg. Co., Inc.**

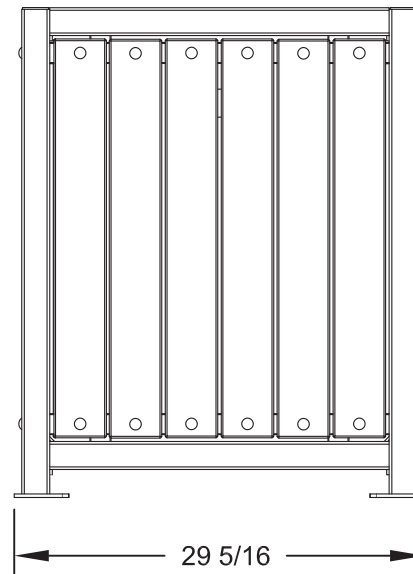
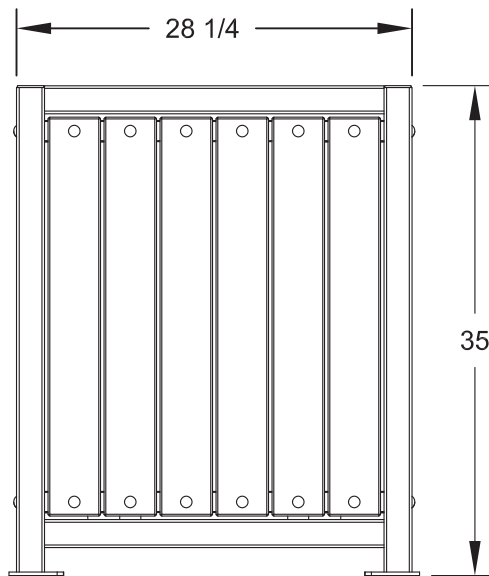
PO Box 946 • Cherokee, IA 51012-0946 • PH: 712-225-5115 • 800-762-5002 • FAX: 712-225-5796  
E-mail: pilotrock@rjthomas.com • Web Site: <https://www.pilotrock.com>

© 2021 RJ Thomas Mfg. Co., Inc. PILOT ROCK® Park Products is a registered trademark of RJ Thomas Mfg. Co., Inc.



CN-Q-36 receptacle with  
CN/PQD-24 plastic dome lid

CN-Q-36 receptacle  
with TQ-2410 flat lid



ALL DIMENSIONS IN INCHES

**RJThomas Mfg. Co., Inc.**  
P.O. Box 946 • Cherokee, IA 51012-0946

DRAWN BY  
**JGJ**

TITLE Model CN-Q-36 square steel frame trash receptacle with 100% recycled plastic inlay slats.

DATE 03-09-2021

DWG. NO. **AI-3022**