



*Model CN-R/DW-32 Round Expanded Steel Trash Receptacle Holder for 32 gal. containers, Brown Thermo-plastic coated. Shown with optional CN-PD/W-24 Plastic Dome Lid and Optional M3/G Galvanized Surface Pedestal Mount.*

- **32 gallon capacity**
- **Welded Steel Fabrication**
- **Thermo-plastic coated finish**
- **Large choice of color, lid, liner, and mounting options**

#### **MOUNTING OPTIONS**

- Model M1/G Strap Anchor Mount:**  
ground level concrete embedded installation
- Model M2/G Embedded Pedestal Mount:**  
elevated concrete embedded installation
- Model M3/G Surface Pedestal Mount:**  
elevated base plate on concrete installation
- Model M6/B Surface Ground Anchors:**  
four steel rod anchors for temporary location in lawns or on soft dirt.

#### **CAN AND LINER OPTIONS**

- Model CNG-2310CL:** Regular-duty, 31 gal. capacity, galvanized steel can with lid
- Model CN/B-1827:** 36 gal. capacity, heavy-duty, rigid plastic liner
- Model CN-4132CL:** 30 gal. capacity, plastic liner with lid
- Model CNG-WHD32CL:** Federal Duty, 32 gal. capacity, galvanized steel can with lid

#### **SPECIFICATIONS:**

- **Model CN-R/D-32** is a 32 gal. capacity trash receptacle with all-welded construction, fabricated from a single piece of 3/4-#9 expanded steel formed into a cylindrical shape 23-1/4" O.D. x 22-7/8" I.D. x 29-3/4" high.
- The receptacle is reinforced with 10 ga. top and bottom rings and die-formed cross braces across the bottom providing holes for anchoring options.
- **Standard:** All steel surfaces of the receptacle are covered with a thermo-plastic coating in a Brown color (indicated by "DW" in model no., e.g. CN-R/DW-32). The UV-stabilized thermo-plastic coating is applied in a multi step process of material preparation and finish application designed to permanently heat fuse and bond the finish to the steel. The thermo-plastic polyethylene finish is impact resistant, does not support mold or mildew, and the textured matte surface is less susceptible to marring and scuffing.
- **Optional:** Color choices of thermo-plastic coated steel components. See Specification Bulletin #SPC-CO-001.

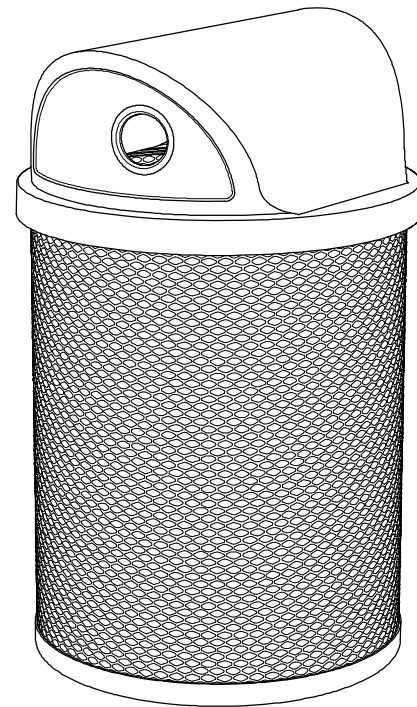
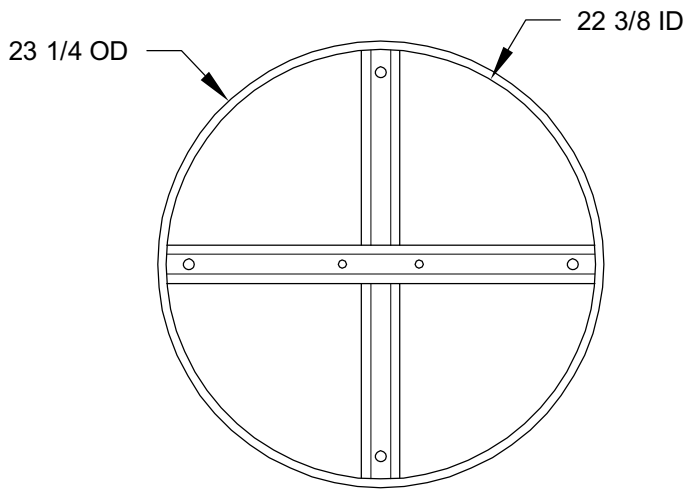
#### **LID OPTIONS**

- Model CN-PD-24** Pilot Rock Plastic Dome Hatch Lids
- Model CN-4455** Plastic Dome Hatch Lids
- Model CN-SDR-24** Plastic Dome lid.
- Model CN/G-5555** Galvanized Steel Dome Hatch Lid
- T-24 Series** Steel Flat Lids: 2 Trash Can Covers: with a spring-loaded 10" dia. Hatch or without a Hatch or 3 Recycling Lids with 3 sizes of center holes: 3" dia. hole, 4-3/8" dia. hole or 5-7/8" dia. hole
- T-2410 Series** Powder Coated Steel Flat Lids with 10" center hole in 3 styles: Flat, with Rain Cover, or with Rain Cover and Ash Tray.
- Model T/TW-246** Steel Flat Recycling Lid with thermo-plastic coating and 5-3/4" dia. center hole
- Model CN/B-1825** Black Plastic Flat Lid with 10" center hole
- Model CN/B-3030** Black Plastic Canopy Lid with openings at each end
- Model CN-PR-24** Recycled Plastic, Recycling Lids with 3 sizes of center holes: 3" dia. hole, 4-3/8" dia. hole or 5-7/8" dia. hole.
- Model CN/B-3031** Green Plastic Canopy Lid with 3 sizes of center holes: 3" dia. hole, 4-3/8" dia. hole or 7-1/2" wide slot.

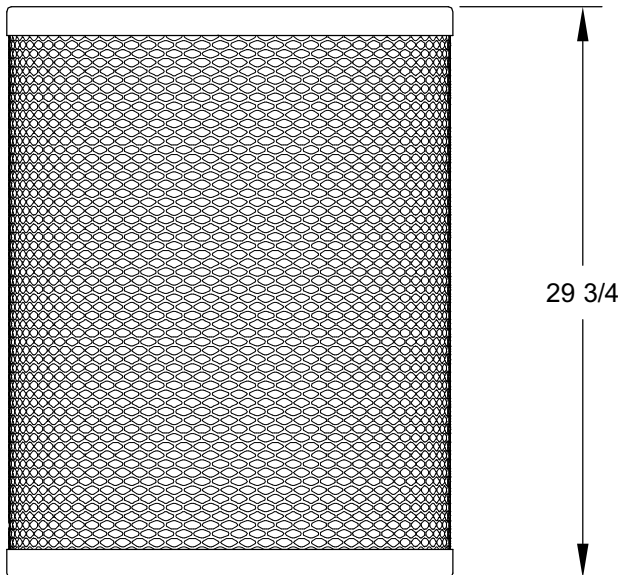
**RJ Thomas Mfg. Co., Inc.**

PO Box 946 • Cherokee, IA 51012-0946 • PH: 712-225-5115 • 800-762-5002 • FAX: 712-225-5796  
E-mail: pilotrock@rjthomas.com • Web Site: <http://www.pilotrock.com>

© 2012 RJ Thomas Mfg. Co., Inc. PILOT ROCK® Park Products is a registered trademark of RJ Thomas Mfg. Co., Inc.



**MODEL CN-R/D-32  
SHOWN WITH MODEL CN/N-3031PC1  
PLASTIC CANOPY RECYCLING LID**



**ALL DIMENSIONS IN INCHES**

**RJThomas  
Mfg. Co., Inc.**  
P.O. Box 946  
Cherokee, IA 51012

**TITLE MODEL CN-R/D-32 ROUND THERMO-PLASTIC COATED  
EXPANDED STEEL TRASH RECEPTACLE HOLDER  
FOR 32 GALLON CONTAINERS**

<b>DRAWN BY</b>	<b>WWM</b>
<b>DATE</b>	<b>1-19-10</b>
<b>DWG. NO.</b>	<b>AI-1911</b>