



Model CN-R/DN-52 Round Expanded Steel Trash Receptacle Holder for 52 gal. containers, green Thermo-plastic coated. Shown with optional **Model CN-PD/Y-27** Plastic Dome Recycling Lid and **Model M7/G** Surface Mount Pedestal.

- **52 or 55 gallon capacity**
- **Welded steel fabrication**
- **Thermo-plastic coated finish**
- **Large choice of color, lid, liner, and mounting options**

MOUNTING OPTIONS

- Model M1/G Strap Anchor Mount:** ground level concrete embedded installation
- Model M8/G Embedded Pedestal Mount:** elevated concrete embedded installation
- Model M7/G Surface Pedestal Mount:** elevated base plate on concrete installation
- Model M6/B Surface Ground Anchors:** four steel rod anchors for temporary location in lawns or on soft dirt.

CAN AND LINER OPTIONS

- Model CN/B-1828:** 52 gal. capacity rigid plastic liner
- Model CN/B-1829:** 55 gal. capacity rigid plastic liner

SPECIFICATIONS:

- **Model CN-R/D Series** trash receptacle is an all-welded construction, fabricated from a single piece of 3/4-#9 expanded steel formed into a cylindrical shape.
- The receptacle is reinforced with 10 ga. top and bottom rings and die-formed cross braces across the bottom providing holes for anchoring options.
- **Model CN-R/D-52** is a 52 gal. capacity trash receptacle 26-1/2" O.D. x 25-7/8" I.D. x 29-3/4" high.
- **Model CN-R/D-55** is a 55 gal. capacity trash receptacle 26-1/2" O.D. x 25-7/8" I.D. x 36" high.
- **Standard:** All steel surfaces of the receptacle are covered with a thermo-plastic coating in a Brown color (indicated by "/DW" in model no., e.g. CN-R/DW-52 or CN-R/DW-55). The UV-stabilized thermo-plastic coating is applied in a multi step process of material preparation and finish application designed to permanently heat fuse and bond the finish to the steel. The thermo-plastic polyethylene finish is impact resistant, does not support mold or mildew, and the textured matte surface is less susceptible to marring and scuffing.
- **Optional:** Color choices of thermo-plastic coated steel components. See Specification Bulletin #SPC-CO-001.

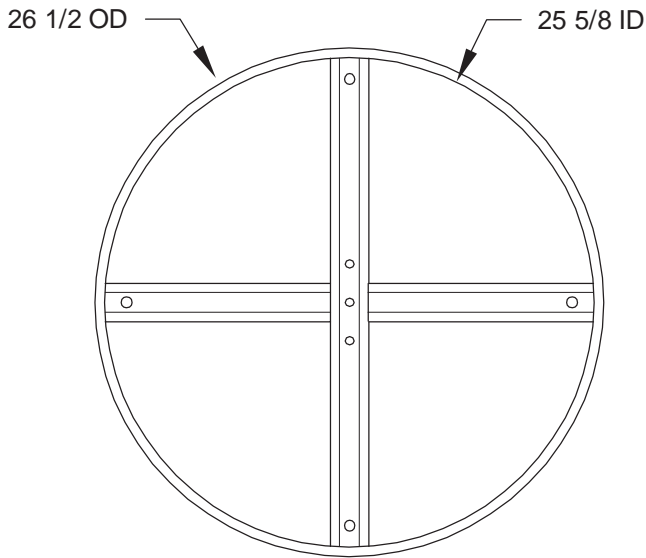
LID OPTIONS

- Model CN-PD-27** Pilot Rock Plastic Dome Hatch Trash and Recycling Lids
- Model CN-2755** Steel Dome Hatch Lid
- T-27 Series** Steel Flat Lids: Trash Can Covers with a spring-loaded 10" dia. hatch or without a hatch.
- T-2170 Series** flat steel lid, 10" diameter hole, available with optional rain cover and ash tray.
- T-27PC Series** flat steel recycling lids with 3 sizes of center holes (3" dia. hole, 4-3/8" dia. hole or 5-7/8" dia. hole).

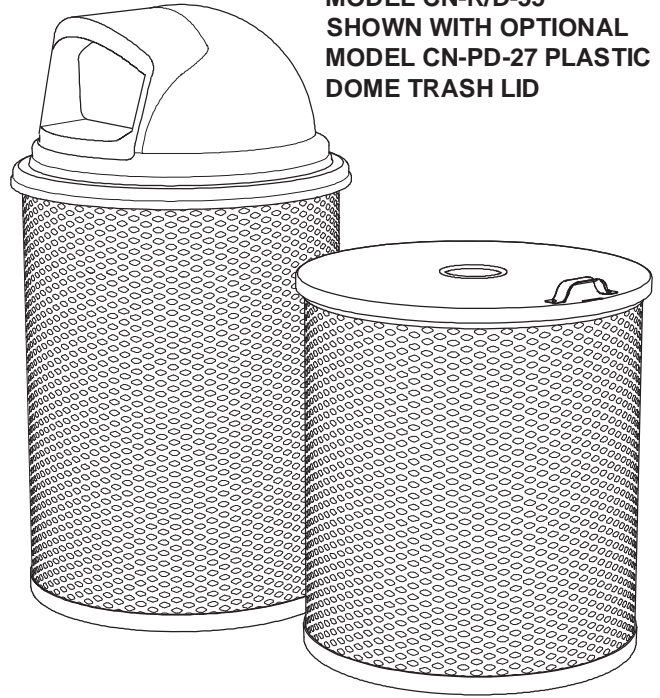
RJ Thomas Mfg. Co., Inc.

PO Box 946 • Cherokee, IA 51012-0946 • PH: 712-225-5115 • 800-762-5002 • FAX: 712-225-5796
E-mail: pilotrock@rjthomas.com • Web Site: <http://www.pilotrock.com>

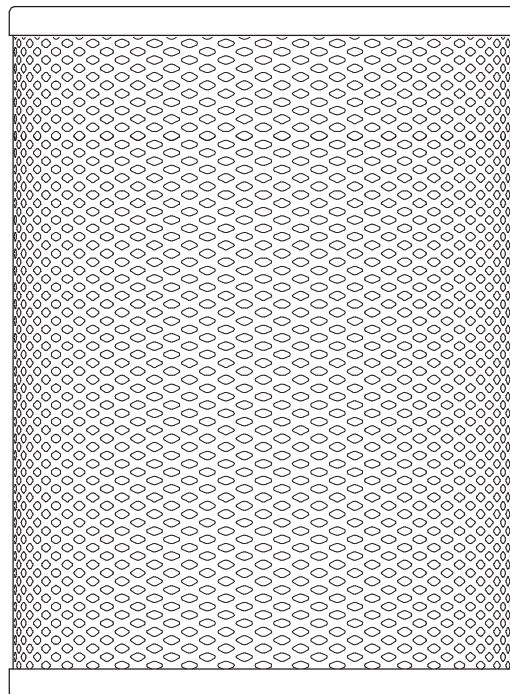
© 2012 RJ Thomas Mfg. Co., Inc. PILOT ROCK® Park Products is a registered trademark of RJ Thomas Mfg. Co., Inc.



**MODEL CN-R/D-55
SHOWN WITH OPTIONAL
MODEL CN-PD-27 PLASTIC
DOME TRASH LID**



**MODEL CN-R/D-52
SHOWN WITH OPTIONAL
MODEL T-27PC5 FLAT STEEL
RECYCLING LID**



MODEL
CN-R/D-52
29 3/4"

MODEL
CN-R/D-55
36"

ALL DIMENSIONS IN INCHES

**RJThomas
Mfg. Co., Inc.**
P.O. Box 946
Cherokee, IA 51012

**TITLE MODELS CN-R/D-52 AND CN-R/D-55 ROUND
THERMO-PLASTIC COATED EXPANDED TRASH RECEPTACLE
HOLDER FOR 52 AND 55 GALLON CONTAINERS**

DRAWN BY	WWM
DATE	4-25-12
DWG. NO.	AI-2025