



**Model CN-R/RR-55** Round Perforated Steel Trash Receptacle Holder for 55 gal. containers, red Thermo-plastic coated. Shown with optional **CN-PD/A-27** Plastic Dome Lid.

- **52 or 55 gallon capacity**
- **Welded steel fabrication**
- **Durable thermo-plastic or hot dip galvanized finish**
- **Large choice of color, lid, liner, and mounting options**

#### **MOUNTING OPTIONS**

**Model M8/G Embedded Pedestal Mount:**

elevated concrete embedded installation

**Model M7/G Surface Pedestal Mount:**

elevated base plate on concrete installation

**Model M6/B Surface Ground Anchors:**

four steel rod anchors for temporary location in lawns or on soft dirt.

#### **CAN AND LINER OPTIONS**

**Model CN/B-1828:** 52 gal. capacity rigid plastic liner

**Model CN/B-1829:** 55 gal. capacity rigid plastic liner

#### **SPECIFICATIONS:**

- **Model CN-R/R Series** trash receptacle is an all-welded construction, fabricated from a single piece of 14 ga. perforated steel with 9/16" dia. holes in a 13/16" center to center in-line pattern formed into a cylindrical shape.
- The receptacle is reinforced with 10 ga. top and bottom rings and die-formed cross braces across the bottom providing holes for anchoring options.
- **Model CN-R/R-52** is a 52 gal. capacity trash receptacle 26-1/2" O.D. x 25-7/8" I.D. x 29-3/4" high.
- **Model CN-R/R-55** is a 55 gal. capacity trash receptacle 26-1/2" O.D. x 25-7/8" I.D. x 36" high.
- **Standard:** All steel surfaces of the receptacle are covered with a thermo-plastic coating in a Brown color (indicated by "/RW" in model no., e.g. CN-R/RW-52 or CN-R/RW-55). The UV-stabilized thermo-plastic coating is applied in a multi step process of material preparation and finish application designed to permanently heat fuse and bond the finish to the steel. The thermo-plastic polyethylene finish is impact resistant, does not support mold or mildew, and the textured matte surface is less susceptible to marring and scuffing.
- **Optional:** Color choices of thermo-plastic coated steel components. See Specification Bulletin #SPC-CO-001.
- **Optional:** In place of thermo-plastic coating, all steel components are hot-dip galvanized after fabrication to ASTM-A123 to maintain an average zinc coating of 2.0 oz. per sq. ft. of surface area (replace "RW" in model no. with "/R/G", e.g. CN-R/R/G-52 or CN-R/R/G-55).

#### **LID OPTIONS**

**Model CN-PD-27** Pilot Rock Plastic Dome Hatch Trash and Recycling Lids

**Model CN-2755** Steel Dome Hatch Lid

**T-27 Series** Steel Flat Lids: Trash Can Covers with a spring-loaded 10" dia. Hatch or without a Hatch.

**T-2710** steel flat lid, 10" diameter hole, available with optional rain cover and ash tray.

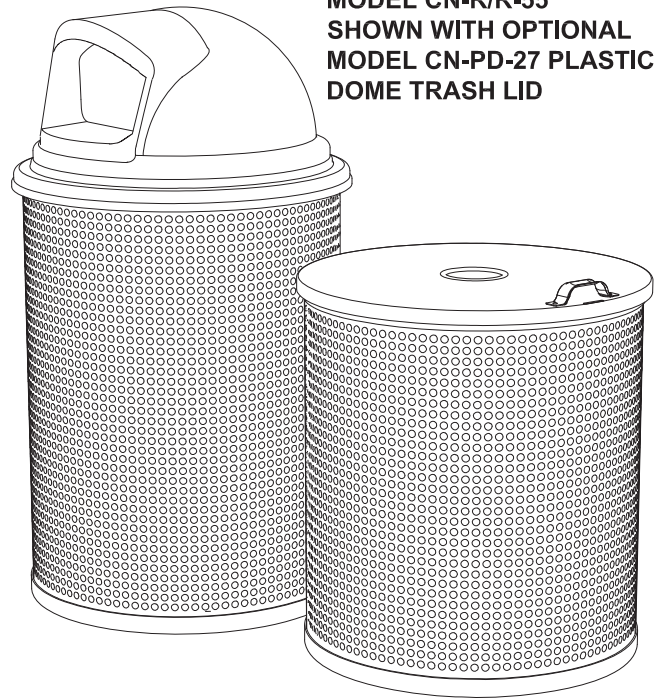
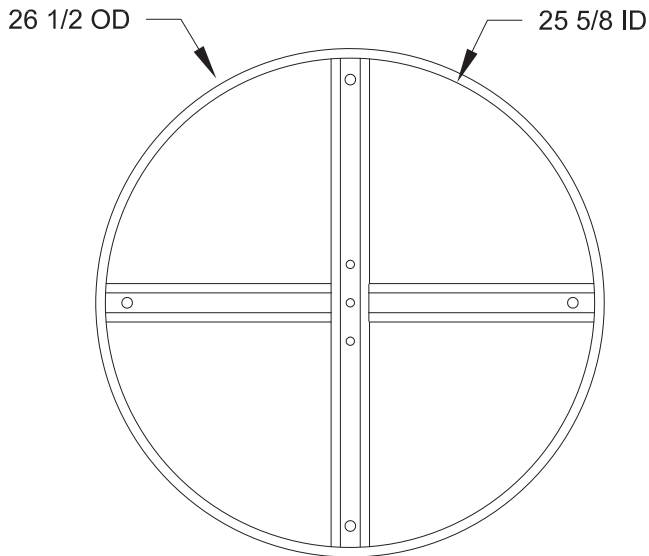
**T-27PC series** flat steel recycling lids with 3 sizes of center holes (3" dia. hole, 4-3/8" dia. hole or 5-7/8" dia. hole).

**RJ Thomas Mfg. Co., Inc.**

PO Box 946 • Cherokee, IA 51012-0946 • PH: 712-225-5115 • 800-762-5002 • FAX: 712-225-5796

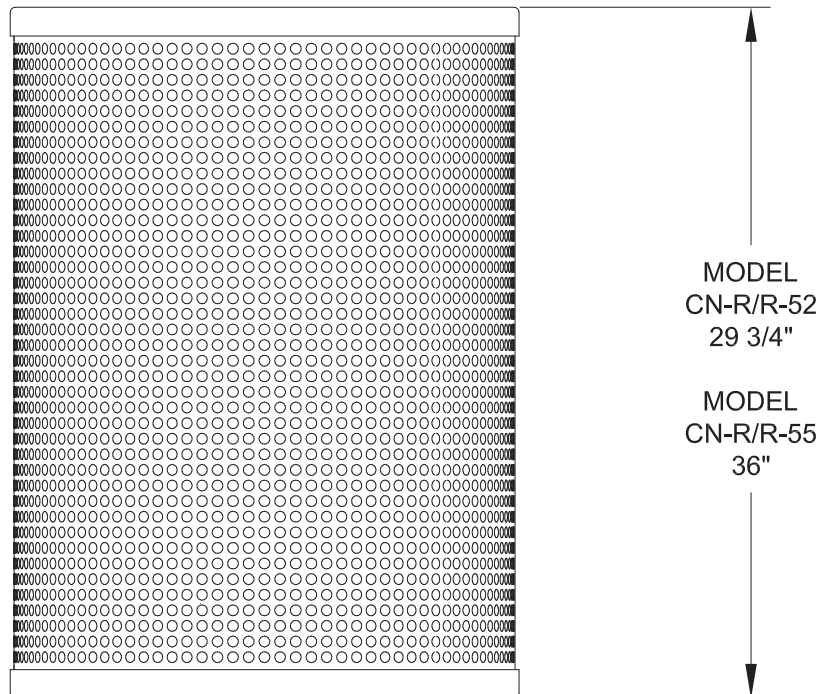
E-mail: [pilotrock@rjthomas.com](mailto:pilotrock@rjthomas.com) • Web Site: <https://www.pilotrock.com>

© 2021 RJ Thomas Mfg. Co., Inc. PILOT ROCK® Park Products is a registered trademark of RJ Thomas Mfg. Co., Inc.



**MODEL CN-R/R-55  
SHOWN WITH OPTIONAL  
MODEL CN-PD-27 PLASTIC  
DOME TRASH LID**

**MODEL CN-R/R-52  
SHOWN WITH OPTIONAL  
MODEL T-27PC5 FLAT STEEL  
RECYCLING LID**



**ALL DIMENSIONS IN INCHES**

**RJThomas  
Mfg. Co., Inc.**  
P.O. Box 946  
Cherokee, IA 51012

**TITLE MODELS CN-R/R-52 AND CN-R/R-55 ROUND PERFORATED  
STEEL TRASH RECEPTACLE HOLDER FOR 52 AND 55  
GALLON CONTAINERS**

<b>DRAWN BY</b>	<b>WWM</b>
<b>DATE</b>	<b>4-23-12</b>
<b>DWG. NO.</b>	<b>AI-2024</b>