



*Model CN-R/SS3/TN-36 Round Wave Steel Strap Trash Receptacle Holder, green Thermo-plastic coated. Shown with optional Model T/N-246 green thermo-plastic coated flat steel lid.*

- **36 gallon capacity**
- **Welded steel fabrication**
- **Thermo-plastic coated finish**
- **Large choice of color, lid, liner, and mounting options**

#### **MOUNTING OPTIONS**

**Model M1G Strap Anchor Mount:** ground level concrete embedded installation

**Model M2/G Embedded Pedestal Mount:** elevated concrete embedded installation

**Model M3/G Surface Pedestal Mount:** elevated base plate on concrete installation

**Model M6/B Surface Ground Anchors:** four steel rod anchors for temporary location in lawns or on soft dirt.

#### **CAN AND LINER OPTIONS**

**Model CN/B-1827:** 36 gal. capacity rigid plastic liner

**Model CN-4132:** 32 gal. capacity rigid plastic liner

#### **SPECIFICATIONS:**

- **Model CN-R/SS3-36 Series** trash receptacle is an all-welded construction, fabricated from 1/8" x 1" die-formed vertical steel straps with two internal 1/8" thick steel support rings.
- The receptacle is reinforced with a 1" OD, 14 ga. wall round steel tube top ring, and a 10 ga. bottom ring with die-formed cross braces across the bottom providing holes for anchoring options.
- Four levelers are equally spaced around the inside of the bottom ring.
- **Model CN-R/SS3-36** is a 36 gal. capacity trash receptacle 29" O.D. x 22-3/4" I.D. x 32" high.
- **Standard:** All steel surfaces of the receptacle are covered with a thermo-plastic coating in a Brown color (indicated by "/TW" in model no., e.g. CN-R/SS3/TW-36). The UV-stabilized thermo-plastic coating is applied in a multi step process of material preparation and finish application designed to permanently heat fuse and bond the finish to the steel. The thermo-plastic polyethylene finish is impact resistant, does not support mold or mildew, and the textured matte surface is less susceptible to marring and scuffing.
- **Optional:** Color choices of thermo-plastic coated steel components. See Specification Bulletin #SPC-CO-001.

#### **LID OPTIONS**

**Model CN-PD-24** Pilot Rock Plastic Dome Hatch Lids

**Model CN-4455** Plastic Dome Hatch Lids

**Model CN-SDR-24** Plastic Dome lid.

**Model CN/G-5555** Galvanized or Powder Coated Steel Dome Hatch Lid

**T-24 Series** Steel Flat Lids: 2 Trash Can Covers: with a spring-loaded 10" dia. Hatch or without a Hatch or 3 Recycling Lids with 3 sizes of center holes: 3" dia. hole, 4-3/8" dia. hole or 5-7/8" dia. hole

**T-2410 Series** Powder Coated Steel Flat Lids with 10" center hole in 3 styles: Flat, with Rain Cover, or with Rain Cover and Ash Tray.

**Model T-246** Steel Flat Recycling Lid with thermo-plastic coating and 5-3/4" dia. center hole

**Model CN/B-1825** Black Plastic Flat Lid with 10" center hole

**Model CN/B-3030** Black Plastic Canopy Lid with openings at each end

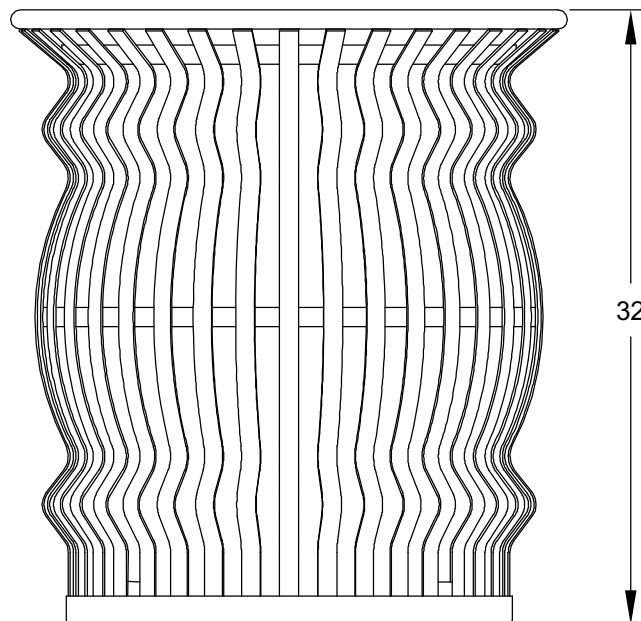
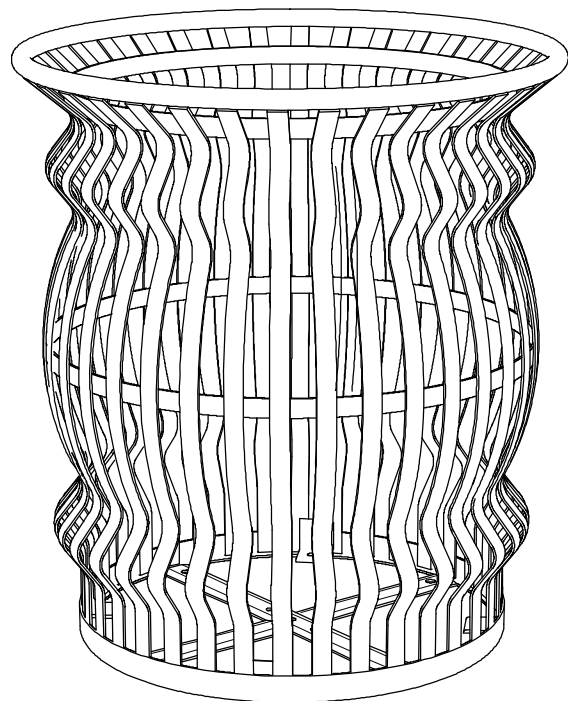
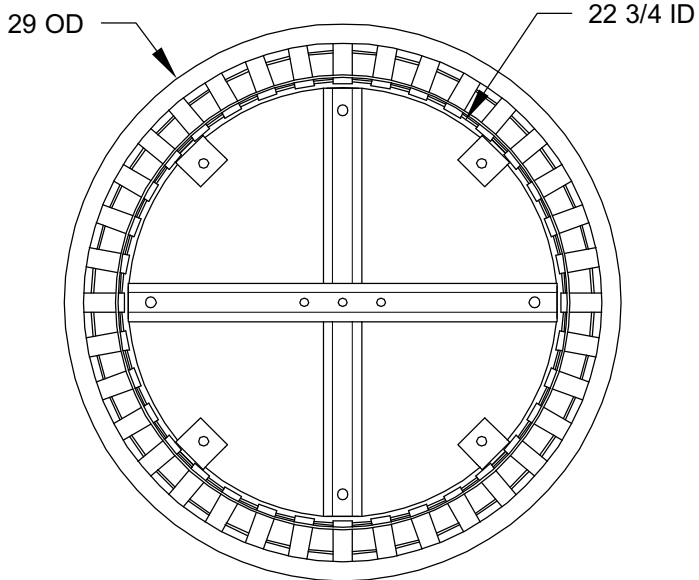
**Model CN-PD-24PC** Recycled Plastic, Recycling Lids with 3 sizes of center holes: 3" dia. hole, 4-3/8" dia. hole or 5-7/8" dia. hole.

**Model CN/N-3031PC** Green Plastic Canopy Lid with 3 sizes of center holes: 3" dia. hole, 4-3/8" dia. hole or 7-1/2" wide slot.

**RJ Thomas Mfg. Co., Inc.**

PO Box 946 • Cherokee, IA 51012-0946 • PH: 712-225-5115 • 800-762-5002 • FAX: 712-225-5796  
E-mail: pilotrock@rjthomas.com • Web Site: <http://www.pilotrock.com>

© 2012 RJ Thomas Mfg. Co., Inc. PILOT ROCK® Park Products is a registered trademark of RJ Thomas Mfg. Co., Inc.



ALL DIMENSIONS IN INCHES

**RJ Thomas**  
**Mfg. Co., Inc.**  
 P.O. Box 946  
 Cherokee, IA 51012

TITLE **MODEL CN-R/SS3-36 ROUND THERMO-PLASTIC COATED  
 WAVE STEEL STRAP TRASH RECEPTACLE HOLDER**

DRAWN BY	<b>WWM</b>
DATE	<b>5-04-12</b>
DWG. NO.	<b>AI-2026</b>