



*Model CN-VDT/P/CN-32 Varmint Defiant Trash Can Cover with green powder coat finish and optional surface mount base plate.*

- **Counter-weighted door closes throat of hood when pulled open**
- \* **Retainer ring prevents can from being tipped out from under cover**
- **Safety latch holds cover up when removing can**
- **Cover can be padlocked in closed position**

## AVAILABLE OPTIONS

Embedded or Surface mount models  
Choice of color of powder coat finish  
32 gal. federal duty galvanized steel can

## SPECIFICATIONS:

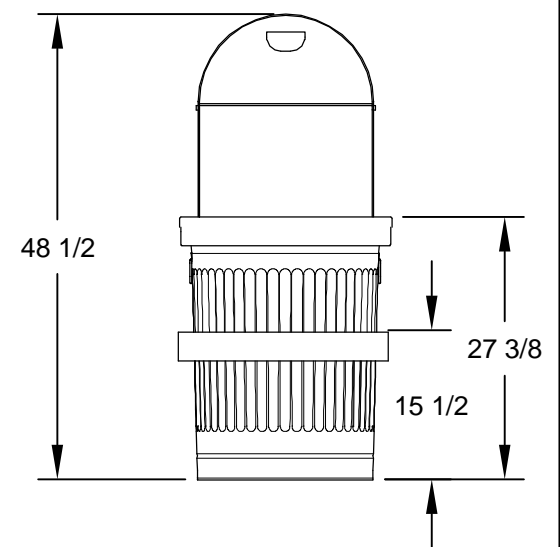
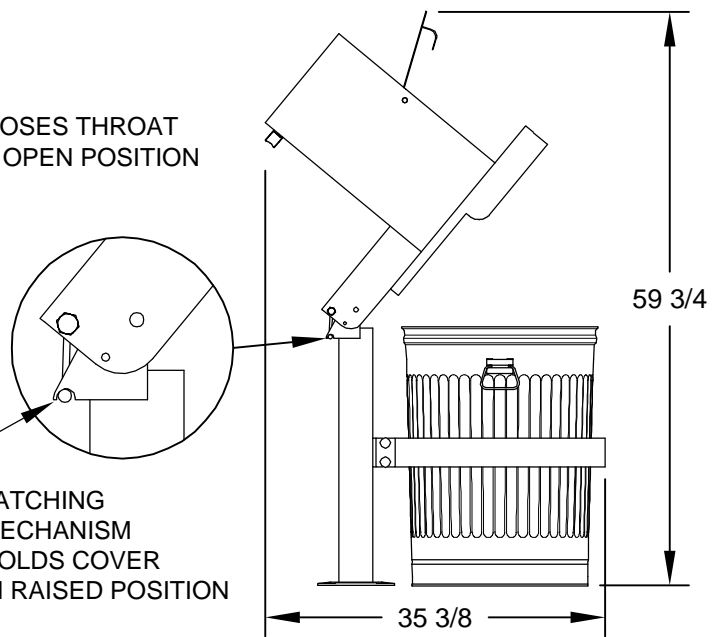
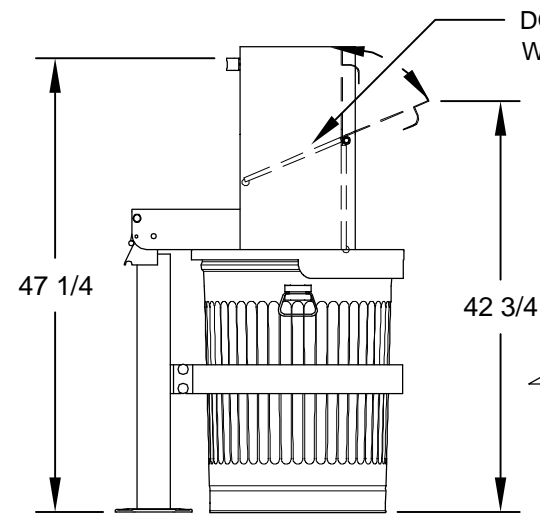
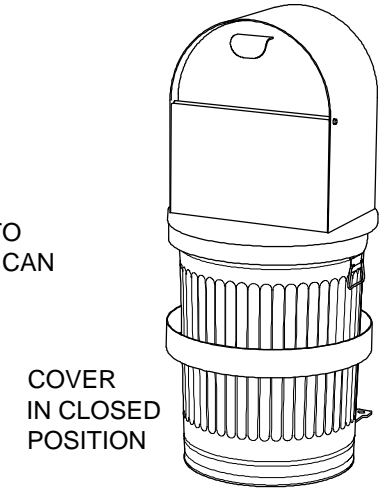
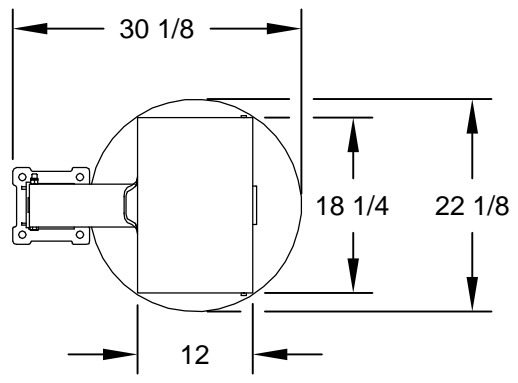
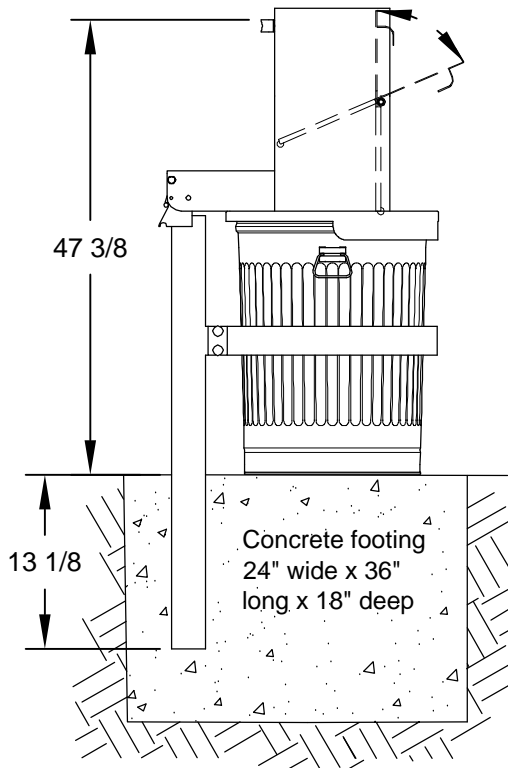
- VDT Series trash receptacle lid is designed to prevent small animals from entering the receptacle or tipping the can and spilling its contents while still being convenient for human use. The unit is designed to be used with most commercially available 32 gal. steel trash cans (indicated by "32" in model no.).
- Cover is a welded construction of a 22" ID x 16 ga. steel lid with a 1-1/16" downward formed flange, a 2-7/8" x 12 ga. steel support band under the front half of the lid, and a 21" high x 18" wide x 12" deep enclosed arched-top hood of formed 12 ga. steel. Front of hood has a counter-weighted self-closing door constructed of 12 ga. steel that hinges on a 1/2" steel pin. When door is opened by pulling on a welded steel handle the lower half of door closes the throat of the hood.
- Cover assembly tips upward on a 7 ga. formed steel channel that attaches to a 3-1/2" dia. 1/8" wall steel base post by pulling on a steel handle welded to the back side of the hood. A latching mechanism holds the lid in the tipped position while can is being emptied. 3/8" dia. holes are provided for padlocking the cover in the down position for security. Padlock is included.
- A 22" dia. ring of 3" x 10 ga. steel bolts to the base post to align the can with the cover and to prevent animals from tipping the can from under the cover.
- Base post is designed to be embedded into a concrete footing suitable for local soil conditions, e.g. Model CN-VDT/CW-32.
- All fasteners are provided for assembly.
- **Standard:** Entire unit is finished in Brown powder coat finish (indicated by "/CW" in model no., e.g. CN-VDT/CW-32).
- **Optional:** Choice of color of powder coat finish. See Specification Bulletin #SPC-CO-001.
- **Optional:** A 8" x 8" x 3/8" square base plate with four 9/16" dia. holes for mounting unit on hard surfaces (indicated by "/P" in model no., e.g. CN-VDT/P/CW-32). Includes (4) 1/2" x 5" concrete screw anchors (#ANC5-4).
- **Optional:** Model CNG-WHD32C 32 gal. federal duty galvanized steel can. Order as separate item.
- **Rating:** This item is not rated to be bear proof.

**RJ Thomas Mfg. Co., Inc.**

PO Box 946 • Cherokee, IA 51012-0946 • PH: 712-225-5115 • 800-762-5002 • FAX: 712-225-5796  
E-mail: pilotrock@rjthomas.com • Web Site: <http://www.pilotrock.com>

© 2014 RJ Thomas Mfg. Co., Inc. PILOT ROCK<sup>®</sup> Park Products is a registered trademark of RJ Thomas Mfg. Co., Inc.

**NOTE: THIS PRODUCT IS NOT RATED AS BEAR PROOF**



ALL DIMENSIONS IN INCHES

**RJThomas Mfg. Co., Inc.**  
P.O. Box 946 • Cherokee, IA 51012-0946

DRAWN BY  
**MFI**

TITLE VDT SERIES MODEL VDT/P-32 VARMINT DEFIANT TRASH RECEPTACLE COVER -  
SHOWN WITH OPTIONAL BASE PLATE FOR HARD SURFACE INSTALLATION

DATE 12-08-16  
DWG. NO. **AI-2077**