



*Model D2-48/SS B2 Grill
with two Optional Utility Side Shelves*

- **Two infinitely adjustable cooking grates**
- **Structurally reinforced grates are virtually indestructible**
- **Grates tip back for fire building and cleaning**
- **Firebox is ring-reinforced on the bottom to combat heat warpage along with die-formed back flanges and side panel flares**
- **Theft-proof base attachment**
- **Full 360° rotation for draft control**
- **Public use-type spring grips of coiled steel bar**
- **Utility shelf option**
- **Quality construction throughout**

AVAILABLE OPTIONS

- **One or Two Side Utility Shelves**
- **Portable Disk Base**
- **Bolt-down Base Plate Base**
- **Portable Caster Base**

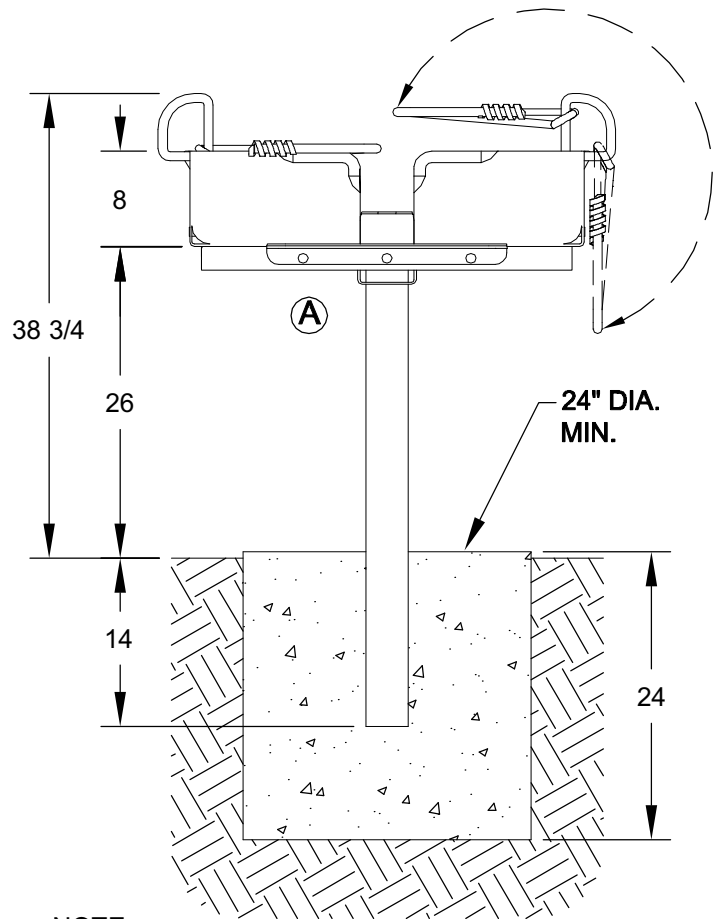
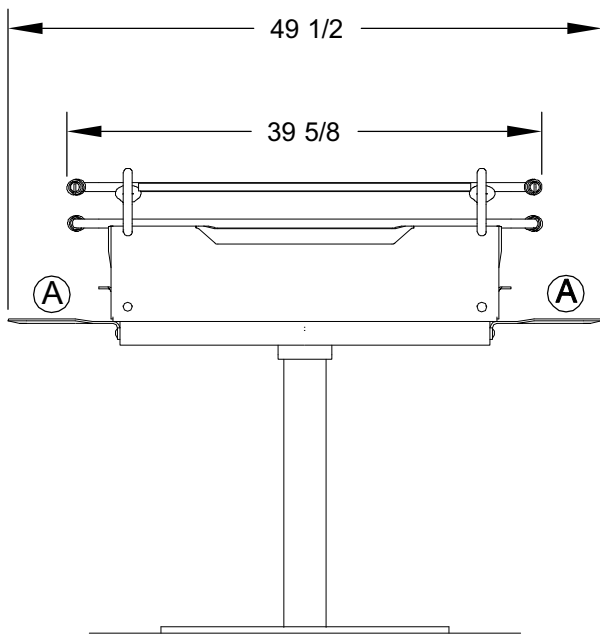
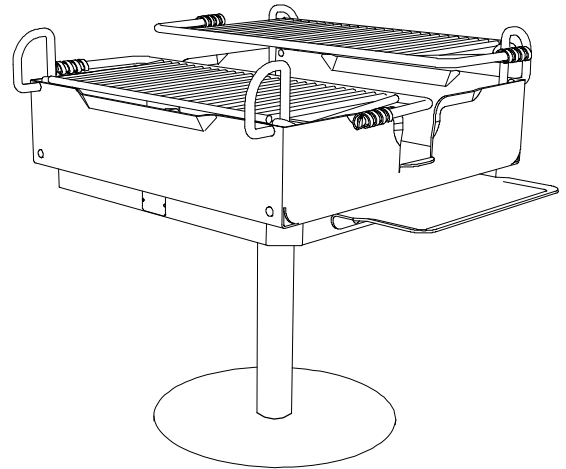
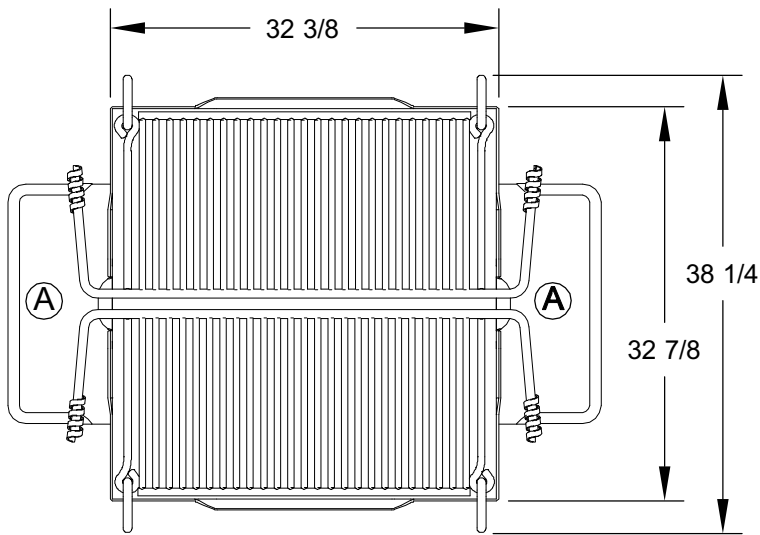
SPECIFICATIONS:

- **Model D2-48 B2** has a cooking area of 1040 sq. in. with two grates and a 32" x 32-1/2" firebox with nom. 8" high sides.
- Entire firebox is fabricated from 3/16" steel plate. All exposed corners are rounded to 1-1/2" radius and all edge connections are entirely welded. Firebox is ring reinforced and allowance for drainage is provided. The firebox has reinforcing flanges die-formed into back panels and reinforcing flares die-formed into side panels.
- The grates are infinitely adjustable from 3-3/4" to 12" above the bottom of the firebox and tip back to provide unobstructed access to the firebox for cleaning and fire building.
- Grates are structurally reinforced so that they will support the weight of two or more persons without sagging or bending.
- Grates are secured to firebox by 2 vertical 3/4" dia. A-36 steel bars that allow adjustment and prevent removal of grates from the grill.
- Grates are constructed from 5/8" dia. A-36 steel bars around the perimeter, 3/4" dia. A-36 steel bars for handles and 1/2" dia. A-36 steel bars to provide the grate surface.
- Grates are provided with two substantial spring grip handles suitable for use by the public made from 1/8" x 1/2" steel flat bar.
- A base attachment mechanism constructed from 3/16" steel plate is provided that is absolutely theft-proof, allows unrestrained continuous rotation in either direction and maintains a stable cooking surface.
- **Standard:** Grill is supported by a 3-1/2" O.D., 40" long, steel pipe for permanent installation in concrete footing (indicated by B2 in model no., e.g. D2-48 B2).
- Entire unit is finished in high temperature, heat resistant, nontoxic black enamel.
- **Optional:** The grill is provided with a 3/16" x 9" x 19-1/4" steel plate utility shelf. Add /S to model no. for 1 shelf; add /SS for 2 shelves, e.g. D2-48/S B2 or D2-48/SS B2.
- **Optional:** Grill is provided with a bolt-down base plate base for hard surface mounting applications. Replace "B2" in model no. with "B3", e.g. D2-48 B3.
- **Optional:** Grill shall be provided with a portable disc base. Replace "B2" in model no. with "B4", e.g. D2-48 B4.
- **Optional:** Grill shall be provided with a portable caster base. To specify, change "B2" in model no. to "B14", e.g. D2-48 B14.

RJThomas Mfg. Co., Inc.

PO Box 946 • Cherokee, IA 51012-0946 • PH: 712-225-5115 • 800-762-5002 • FAX: 712-225-5796
E-mail: pilotrock@rjthomas.com • Web Site: <http://www.pilotrock.com>

© 2008 RJThomas Mfg. Co., Inc. PILOT ROCK® Park Products is a registered trademark of RJThomas Mfg. Co., Inc.



(A) OPTIONAL UTILITY SHELF - ADD /S TO MODEL NUMBER

NOTE:
LOCAL SOIL CONDITIONS MAY
REQUIRE A LARGER FOOTING

ALL DIMENSIONS IN INCHES

RJThomas
Mfg. Co., Inc.
P.O. Box 946
Cherokee, IA 51012

TITLE **D2-48 PARK GRILL SHOWN WITH B2 BASE
AND TWO OPTIONAL UTILITY SHELVES**

DRAWN BY	WWM
DATE	10-17-08
DWG. NO.	AI-1016