



Model FSW-26/18/PA/H Wheelchair Accessible
Campfire Ring with swivel cooking grate.
Shown with optional heat shield and optional utility shelf.

(Below) Grate shown rotated out of the firering.



- **Meets ADA guidelines, requires less than five pounds of force with one hand to move grate out of firering**
- **Handle is never over the fire**
- **Flanged firering for strength and safety**
- **Public use-type spring grips of coiled steel bar**
- **Elevated cooking grate and firebed conform to ADA guidelines**
- **Required aggregate fill protects site surfaces such as paver blocks, cement, and asphalt from heat damage**
- **Quality construction throughout**

AVAILABLE OPTIONS

Utility Shelf
Heat Shield

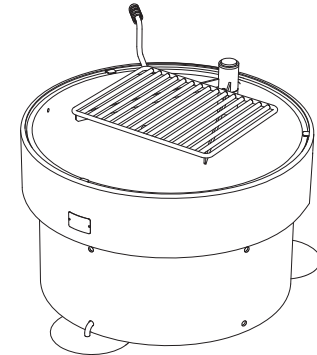
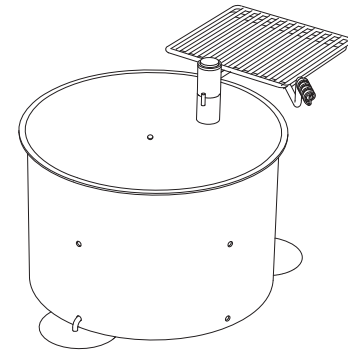
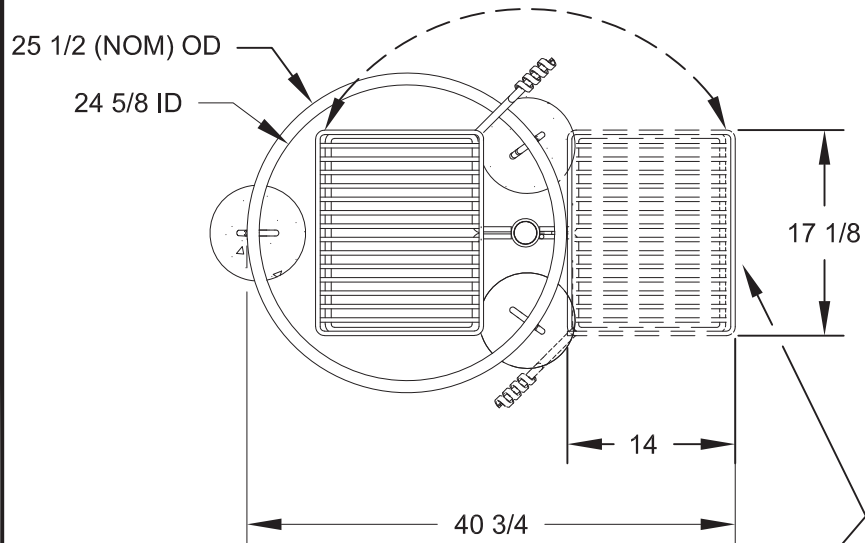
SPECIFICATIONS:

- **FSW Series** firering is designed to meet ADA guidelines requiring less than five pounds of force with one hand to operate the grate.
 - 25-1/2" overall dia. firering is constructed from 3/16" thick steel with a formed (NOT WELDED) 1" flanged lip around the top of the ring and ten 1" dia. drain/draft/anchor holes located around the perimeter.
 - **Model FSW-26/18/PA** firering side height is 16-7/8".
 - The single level, 300 sq. in. cooking grate is constructed from 1/2" dia. A-36 steel bars around the perimeter, 5/8" dia. A-36 steel bar for the handle, and 1/2" dia. A-36 steel bar for the grate bars.
 - Grate is provided with a substantially constructed spring grip suitable for public use made from 1/8" x 1/2" flat bar (not wire springs).
 - Grate is mounted on a 2-3/8" OD tube allowing it to rotate on a horizontal plane out of the firering. Two welded-on stops limit rotation to 180° to prevent the handle entering the area over the fire.
 - Firering is designed to be filled with customer supplied aggregate fill to a minimum of 9" above ground level to conform with ADA guidelines to raise fire to proper height. Fill also protects hard surfaces from heat damage.
 - Unit is provided with three 1/2" dia. anchor pins for concrete embedment (indicated by "/PA" in model no., e.g. FSW-26/18/PA).
 - Entire unit is finished in high temperature, heat resistant, nontoxic black enamel paint.
 - **Optional:** Firering is provided with a 3/16" x 7-1/8" x 9-5/8" steel plate utility shelf. (Add "/S" to model no., e.g. FSW-26/18/PA/S.)
 - **Optional:** Firering is provided with an 8" high heat shield constructed from 10 ga. steel welded on to new firerings. Heat shield provides a 7/8" cooling air gap around the area of the firering exposed to the fire (indicated by "/H" in model no., e.g. FSW-26/18/PA/H).
- Note: The optional utility shelf fits both firering and optional heat shield. (When ordering both options, add "/H/S" to model no., e.g. FSW-26/18/PA/H/S.)

RJ Thomas Mfg. Co., Inc.

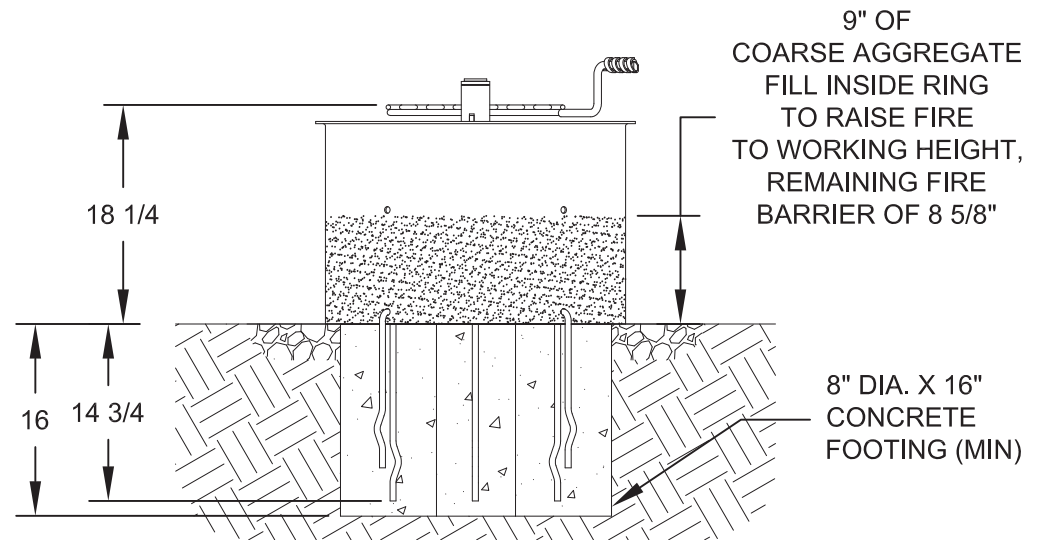
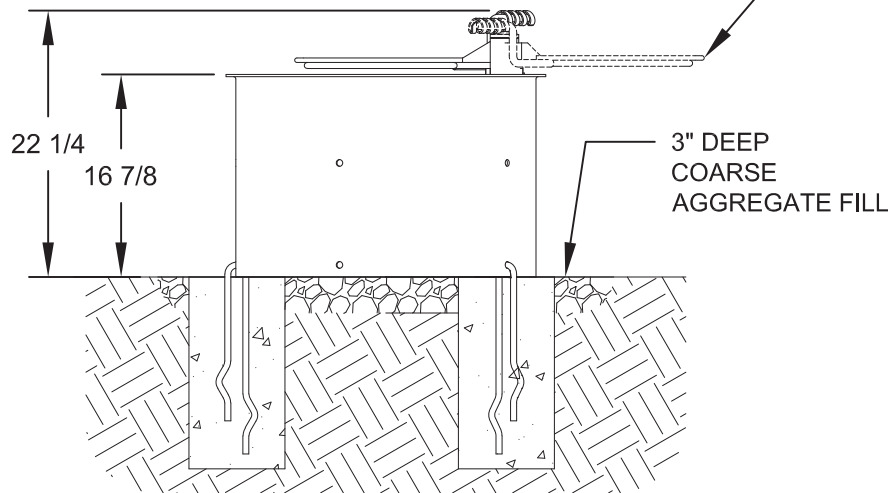
PO Box 946 • Cherokee, IA 51012-0946 • PH: 712-225-5115 • 800-762-5002 • FAX: 712-225-5796
E-mail: pilotrock@rjthomas.com • Web Site: <http://www.pilotrock.com>

© 2017 RJ Thomas Mfg. Co., Inc. PILOT ROCK[®] Park Products is a registered trademark of RJ Thomas Mfg. Co., Inc.



FIRERING SHOWN WITH
OPTIONAL HEAT SHIELD

GRATE ROTATES 180 DEGREES
TO OUTSIDE FIRERING



ALL DIMENSIONS IN INCHES

RJThomas Mfg. Co., Inc.
P.O. Box 946 • Cherokee, IA 51012-0946

DRAWN BY
JGJ

TITLE FSW SERIES MODEL FSW-26/18/PA ACCESSIBLE FIRERING WITH PIN ANCHORS

DATE 07-07-2020

DWG. NO. **AI-1866**