



*Model FSW-26/7/TB Campfire Ring with swivel cooking grate.  
Shown with optional Utility Shelf.*



*Grate shown rotated  
out of the firering.*

- **Ideal for smaller fires, helps conserve firewood, and takes up less space at the campsite**
- **Flanged firering for strength and safety**
- **Cooking grate rotates 180 degrees from over the fire to completely out of the fire**
- **Handle is never over the fire**
- **Public use-type spring grips of coiled steel bar**
- **Firering tips back for easy cleaning**
- **Tip-back anchors embedded in concrete footings provide permanent location**
- **“Bottomless” design installs without concrete pad**
- **Utility shelf option**
- **Quality construction throughout**

#### **SPECIFICATIONS:**

- **Model FSW-26/7/TB** is a 26" overall dia. ring with a 7-3/8" high fire barrier formed from 3/16" steel with a 1" formed (NOT WELDED) flange around the top of the ring and 9/16" draft holes spaced around the bottom perimeter.
- The cooking grate of the **FSW Series** firering is designed to rotate 180 degrees from a position over the fire, to a position completely out of the fire.
- The single level, 300 sq. in. cooking grate is constructed from 1/2" dia. A-36 steel bars around the perimeter, 5/8" dia. A-36 steel bar for the handle, and 1/2" dia. A-36 steel bar for the grate bars.
- Grate is provided with a substantially constructed spring grip suitable for public use made from 1/8" x 1/2" flat bar (not wire springs).
- Grate is mounted on a 2-3/8" OD tube allowing it to rotate on a horizontal plane out of the firering. Two welded-on stops limit rotation to 180° to prevent the handle entering the area over the fire. Minimal force is required to move grate.
- Ring is provided with hinged anchoring device to allow ring to tip upward for easy cleaning. Two 1/2" dia. steel “U” anchor pins with deformed ends insert 15" into concrete footing (indicated by "/TB" in model no., e.g. FSW-26/7/TB).
- Entire unit is finished in high temperature, heat resistant, nontoxic black enamel.
- **Optional:** Firering is provided with a 3/16" x 7-1/8" x 9-5/8" steel plate utility shelf. (Add "/S" to model no., e.g. FSW-26/7/TB/S)

#### **AVAILABLE OPTIONS**

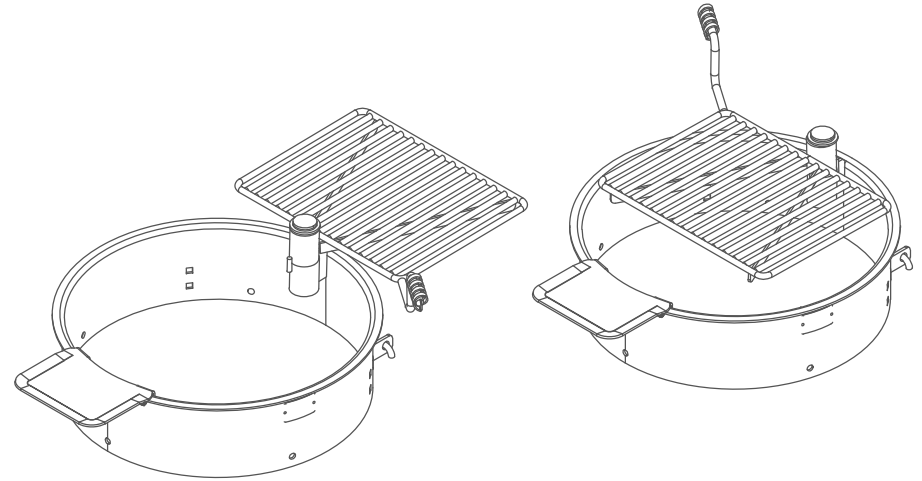
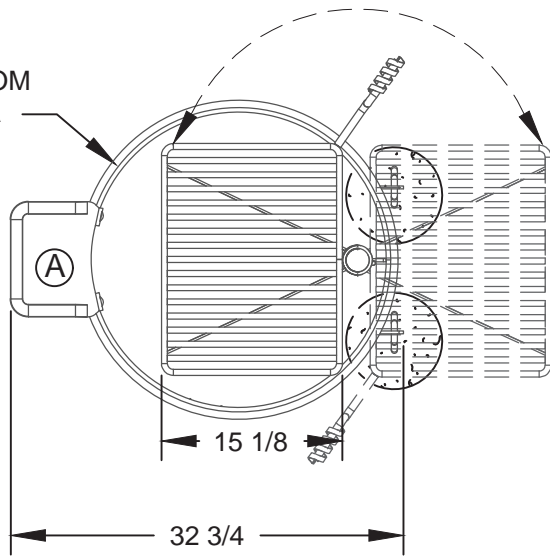
**Utility Shelf**

**RJ Thomas Mfg. Co., Inc.**

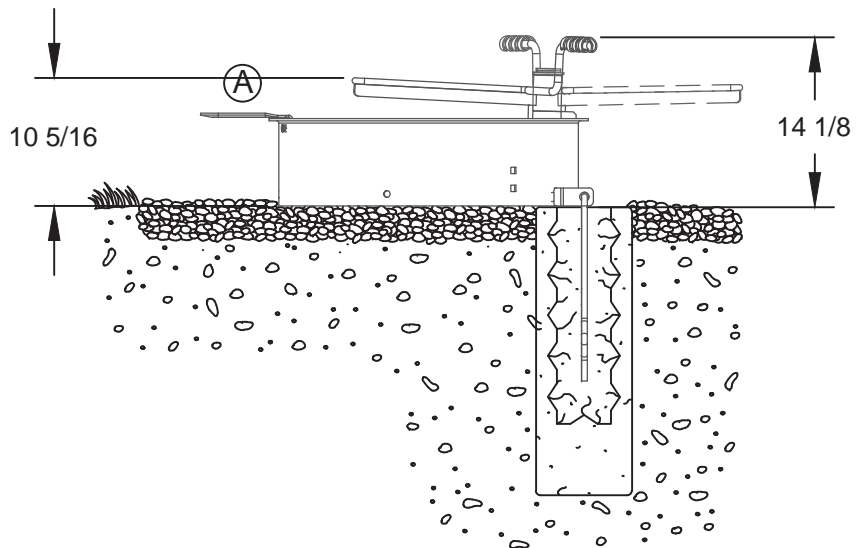
PO Box 946 • Cherokee, IA 51012-0946 • PH: 712-225-5115 • 800-762-5002 • FAX: 712-225-5796  
E-mail: customerservice@rjthomas.com • Web Site: <https://www.pilotrock.com>

© 2026 RJ Thomas Mfg. Co., Inc. PILOT ROCK® Park Products is a registered trademark of RJ Thomas Mfg. Co., Inc.

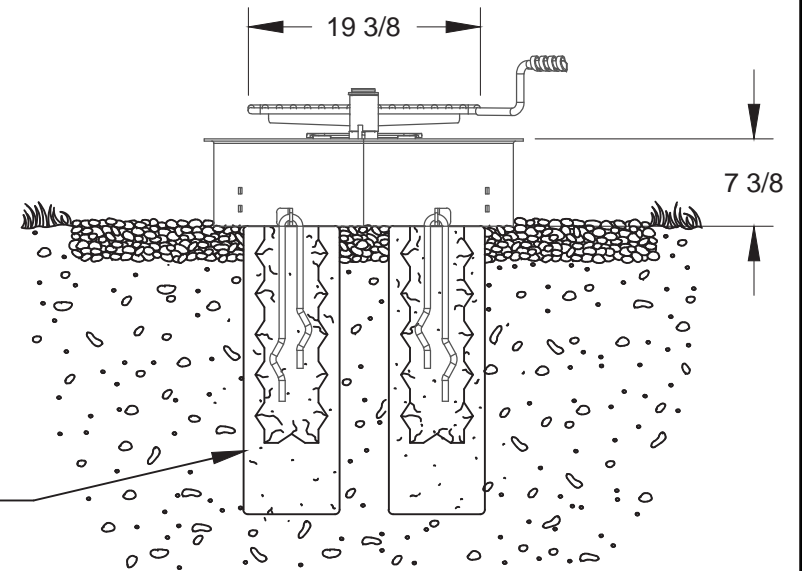
26 NOM  
DIA



Ⓐ OPTIONAL UTILITY SHELF - ADD /S  
TO MODEL NUMBER



8" DIA x 24"  
DEEP (18" MIN)  
CONCRETE  
FOOTING  
RECOMMENDED



ALL DIMENSIONS IN INCHES

R. J. **THOMAS MFG. CO., INC.**  
P.O. Box 946 • Cherokee, IA 51012

DRAWN BY  
**JGJ**

TITLE **FSW-26 SERIES CAMPFIRE COOKSITE WITH SWIVEL COOKING GRATE  
AND TIP-BACK ANCHORS**

DATE **04-22-2026**

DWG. NO. **AI-3081**