



**Model FSW-30/18/PA/H/S** Wheelchair Accessible Campfire Ring with swivel cooking grate and heat shield. Shown with optional utility shelf.

(Below) Grate shown rotated out of the firering.



- **Meets ADA guidelines, requires less than five pounds of force with one hand to move grate out of firering**
- **Handle is never over the fire**
- **Flanged firering for strength and safety**
- **Public use-type spring grips of coiled steel bar**
- **Elevated cooking grate and firebed conform to ADA guidelines**
- **Required aggregate fill protects site surfaces such as paver blocks, cement, and asphalt from heat damage**
- **Heat Shield**
- **Quality construction throughout**

#### AVAILABLE OPTIONS

##### Utility Shelf

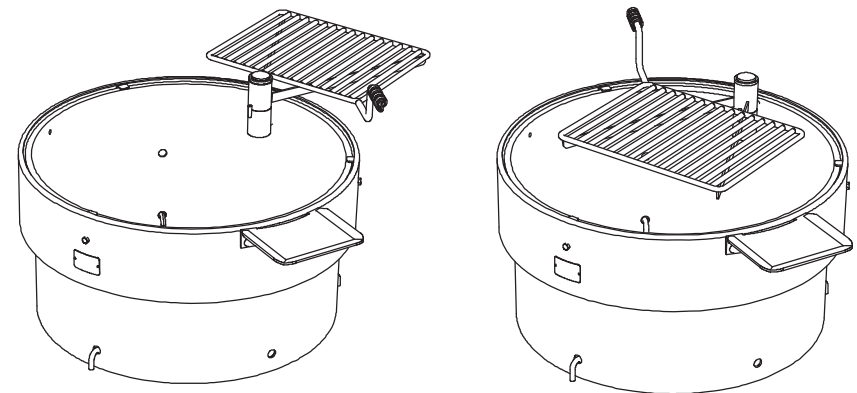
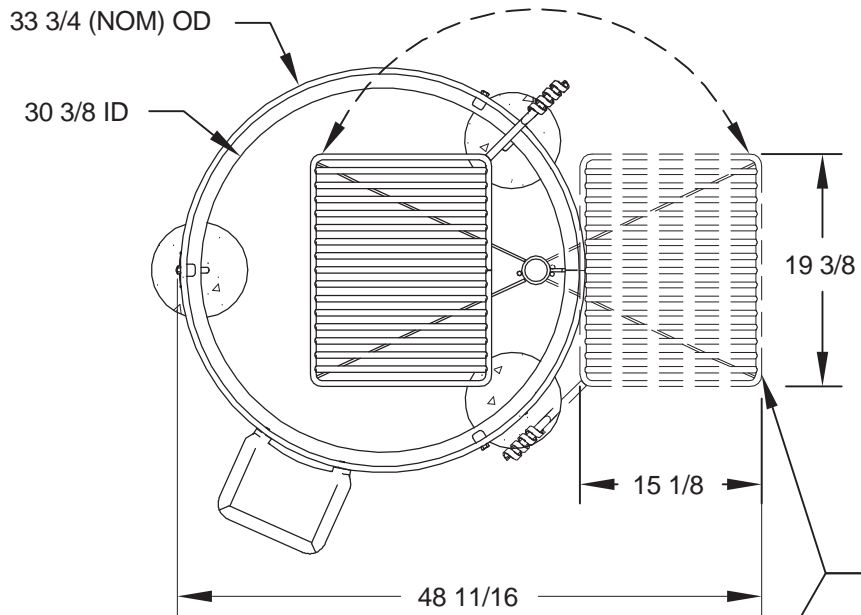
#### SPECIFICATIONS:

- **FSW Series** firering is designed to meet ADA guidelines requiring less than five pounds of force with one hand to operate the grate.
  - 32" overall dia. firering is constructed from 3/16" thick steel with a formed (NOT WELDED) 1" flanged lip around the top of the ring and ten 1" dia. drain/draft/anchor holes located around the perimeter.
  - **Model FSW-30/18/PA/H** firering side height is 17-3/8".
  - The single level, 300 sq. in. cooking grate is constructed from 1/2" dia. A-36 steel bars around the perimeter, 5/8" dia. A-36 steel bar for the handle, and 1/2" dia. A-36 steel bar for the grate bars.
  - Grate is provided with a substantially constructed spring grip suitable for public use made from 1/8" x 1/2" flat bar (not wire springs).
  - Grate is mounted on a 2-3/8" OD tube allowing it to rotate on a horizontal plane out of the firering. Two welded-on stops limit rotation to 180° to prevent the handle entering the area over the fire.
  - Firering is designed to be filled with customer supplied aggregate fill to a minimum of 9" above ground level to conform with ADA guidelines to raise fire to proper height. Fill also protects hard surfaces from heat damage.
  - Unit is provided with three 1/2" dia. anchor pins for concrete embedment (indicated by "/PA" in model no., e.g. FSW-30/18/PA/H).
  - Entire unit is finished in high temperature, heat resistant, nontoxic black enamel paint.
  - Firering is provided with an 8" high heat shield constructed from 10 ga. steel welded on to new firerings. Heat shield provides a 7/8" cooling air gap around the area of the firering exposed to the fire (indicated by "/H" in model no., e.g. FSW-30/18/PA/H).
  - **Optional:** Firering is provided with a 3/16" x 7-1/8" x 9-5/8" steel plate utility shelf. (Add "/S" to model no., e.g. FSW-30/18/PA/S.)
- Note: The optional utility shelf fits both firering and optional heat shield. (When ordering both options, add "/H/S" to model no., e.g. FSW-30/18/PA/H/S.)

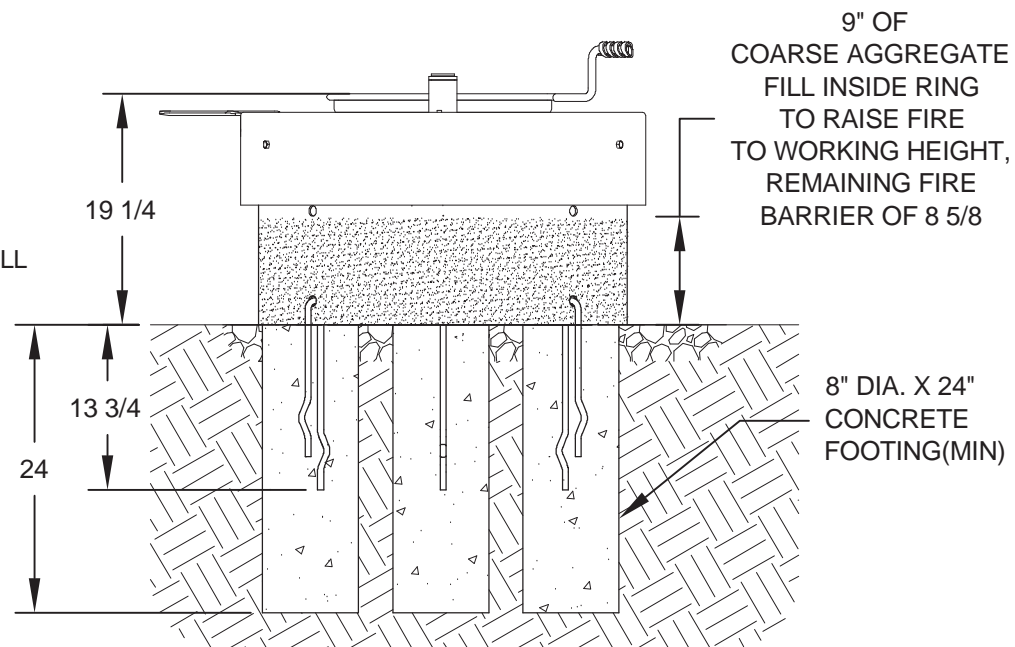
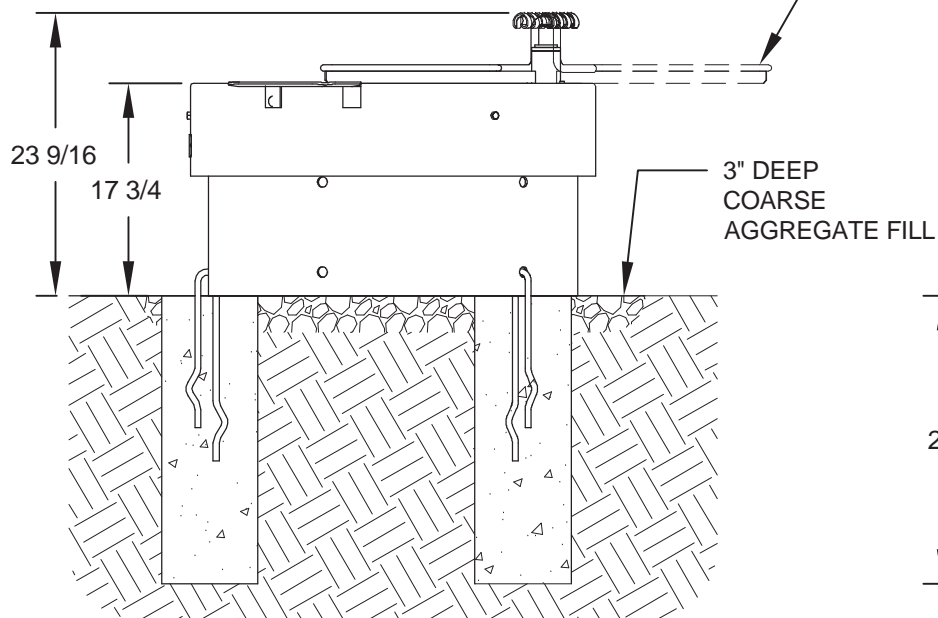
**RJ Thomas Mfg. Co., Inc.**

PO Box 946 • Cherokee, IA 51012-0946 • PH: 712-225-5115 • 800-762-5002 • FAX: 712-225-5796  
E-mail: pilotrock@rjthomas.com • Web Site: <http://www.pilotrock.com>

© 2017 RJ Thomas Mfg. Co., Inc. PILOT ROCK® Park Products is a registered trademark of RJ Thomas Mfg. Co., Inc.



GRATE ROTATES 180 DEGREES TO OUTSIDE FIRERING



9" OF COARSE AGGREGATE FILL INSIDE RING TO RAISE FIRE TO WORKING HEIGHT, REMAINING FIRE BARRIER OF 8 5/8

8" DIA. X 24" CONCRETE FOOTING(MIN)

ALL DIMENSIONS IN INCHES

**RJThomas Mfg. Co., Inc.**  
P.O. Box 946 • Cherokee, IA 51012-0946

DRAWN BY  
**WWM**

TITLE **FSW SERIES MODEL FSW-30/18/PA/H/S ACCESSIBLE SWIVEL GRATE FIRERING WITH PIN ANCHORS AND HEAT SHIELD - SHOWN WITH OPTIONAL UTILITY SHELF**

DATE 6-02-10

DWG. NO. **AI-1947**