



*Model FSWDW-30/18/TB Double Wall Wheelchair Accessible
Firering with swivel cooking grate and lower fire grate.*

- **Meets ADA guidelines, requires less than five pounds of force with one hand to move grate out of firering**
- **Elevated cooking grate and firebed conform to ADA guidelines**
- **Handle is never over the fire**
- **Flanged outer firering for strength and safety**
- **Cooling air gap between rings keeps outer ring cool**
- **Inner ring supports fire grate**
- **Tip back anchors allow easier removal of ashes**

SPECIFICATIONS:

- **FSW Series** firering is designed to meet ADA guidelines requiring less than five pounds of force with one hand to operate the grate.
- **Model FSWDW-30/18/TB** has a 32-3/8" overall dia. outer ring constructed from 12 ga. steel with a formed (NOT WELDED) 1" flanged lip at top of ring and ten 7/8" dia. draft holes located around the perimeter. Firering side is 17-5/16" tall. Ring is provided with hinged anchoring device to allow ring to tip upward for cleaning. Two 1/2" dia. steel "U" anchor pins with deformed ends insert 15" into concrete footings.
- Inner fire wall is constructed from 7 ga. steel formed in a nominal 26" dia. ring welded to outer ring by means of three 2-7/8" x 2-7/8", full length steel angles. Ten 7/8" dia. draft holes are provided in the 17-1/8" tall inner wall.
- Firering is designed to conform with ADA guidelines to raise fire to proper height.
- 300 sq. in. swivel cooking grate is constructed from 1/2" dia. A-36 steel bar around the perimeter, a 5/8" A-36 steel bar for the handle, and 1/2" dia. A-36 steel bar for the grate bars. Grate is mounted on a 2-3/8" OD tube allowing it to rotate on a horizontal plane out of the firering. Two welded-on stops limit rotation to 180° to prevent the handle entering the area over the fire.
- Grate is provided with a substantially constructed spring grip suitable for public use made from 1/8" x 1/2" flat bar (not wire springs).
- 380 sq. in. log grate area is constructed from 5/8" dia. A-36 steel bar around the perimeter and 1/2" dia. A-36 steel bar for the grate bars. Grate is permanently attached and hinged by means of 2 tightly formed eyelets made from 5/8" dia. A-36 steel bar at one end and supported by two 1-3/4" x 1-9/16" 7 ga. die-formed angles. Grate swings up for cleanout.
- Entire unit is finished in high temperature, heat resistant, nontoxic black enamel.
- **Optional:** Firering is provided with a 3/16" x 7-1/8" x 9-5/8" steel plate utility shelf. (Add "/S" to model no., e.g. FSWDW-30/18/TB/S.)

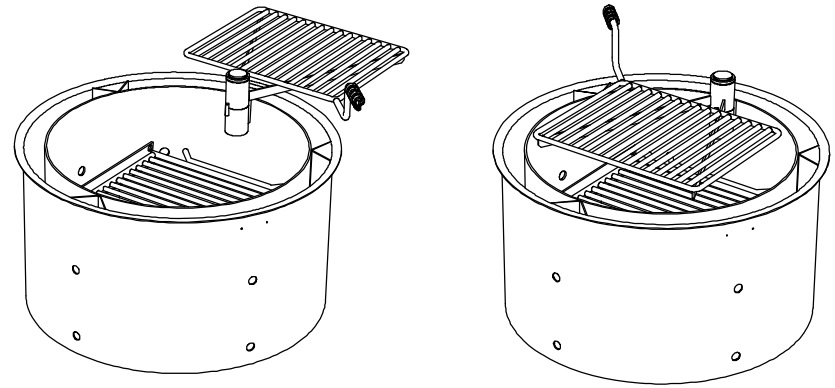
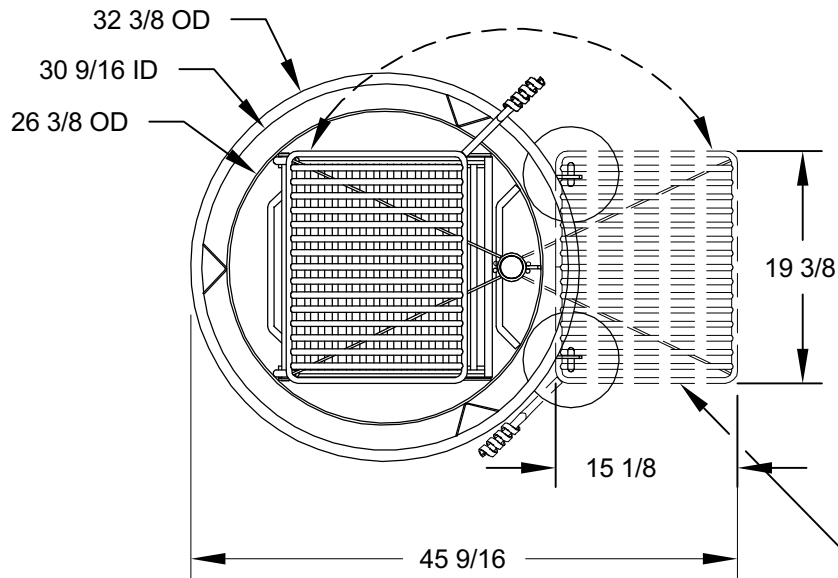
AVAILABLE OPTIONS

Utility Shelf

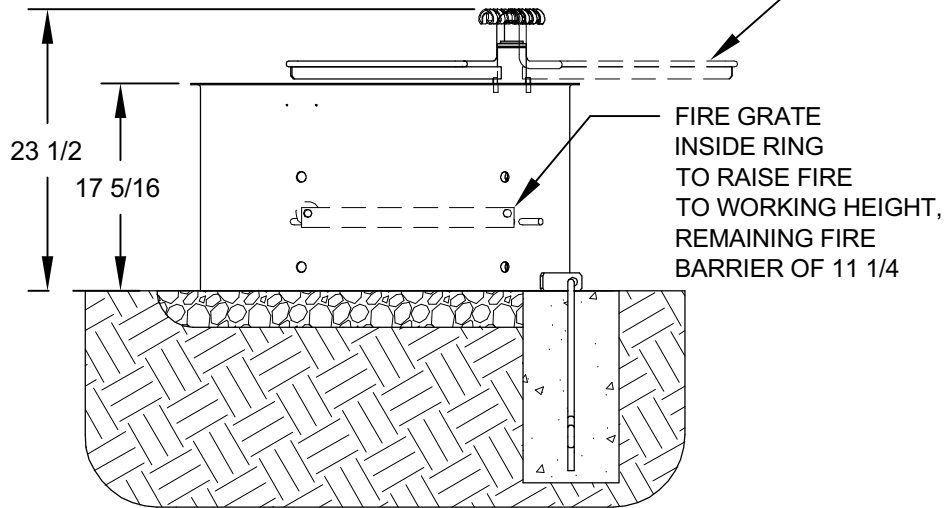
RJ Thomas Mfg. Co., Inc.

PO Box 946 • Cherokee, IA 51012-0946 • PH: 712-225-5115 • 800-762-5002 • FAX: 712-225-5796
E-mail: pilotrock@rjthomas.com • Web Site: <http://www.pilotrock.com>

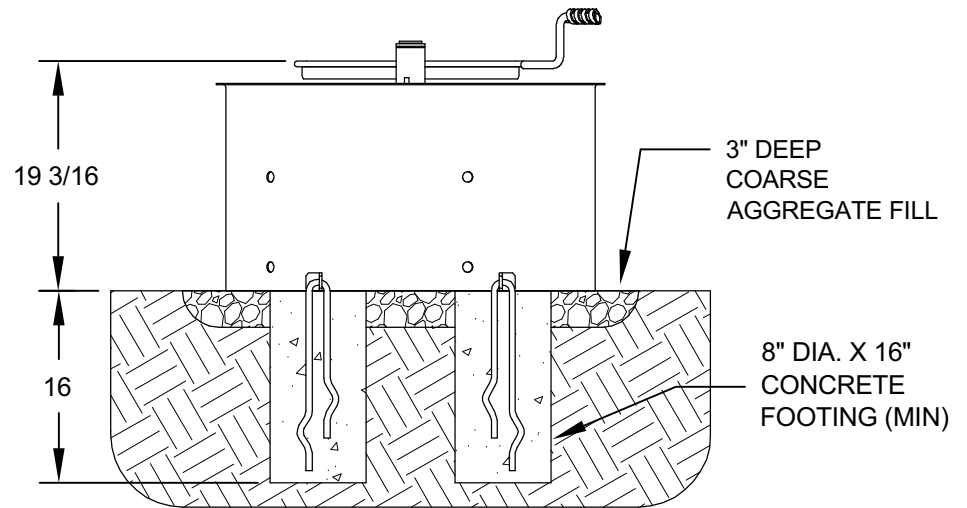
© 2008 RJ Thomas Mfg. Co., Inc. PILOT ROCK® Park Products is a registered trademark of RJ Thomas Mfg. Co., Inc.



COOKING GRATE ROTATES 180 DEGREES TO OUTSIDE FIRERING



FIRE GRATE INSIDE RING TO RAISE FIRE TO WORKING HEIGHT, REMAINING FIRE BARRIER OF 1 1/4



3" DEEP COARSE AGGREGATE FILL

8" DIA. X 16" CONCRETE FOOTING (MIN)

ALL DIMENSIONS IN INCHES

RJThomas Mfg. Co., Inc.
P.O. Box 946 • Cherokee, IA 51012-0946

DRAWN BY
WWM

TITLE MODEL FSWDW-30/18/TB WHEELCHAIR ACCESSIBLE DOUBLE WALL FIRERING WITH SWIVEL GRATE AND TIP BACK ANCHORS

DATE 3-11-10

DWG. NO. AI-1923