



Model FXS-30/18/PA Campfire Ring only- No Grate

- **Flanged firering for strength and safety**
- **Elevated firebed conforms to ADA guidelines**
- **Required aggregate fill protects site surfaces such as paver blocks, cement, and asphalt from heat damage**
- **Quality construction throughout**

SPECIFICATIONS:

- **Model FXS-30/18/PA** firering side height is 16-3/4" high.
- **Model FXS-30/24/PA** fire ring side height is 23-1/4".
- 32" overall dia. firering is constructed from 11 ga. (1/8" thick) stainless steel with a formed (NOT WELDED) 1" flanged lip around the top of the ring and ten 1" dia. drain/draft/anchor holes located around the perimeter.
- Firering is designed to be filled with customer supplied aggregate fill to a minimum of 9" above ground level to conform with ADA guidelines to raise fire to proper height. Fill also protects hard surfaces from heat damage.
- Unit is provided with three 1/2" dia. anchor pins for concrete embedment (indicated by /PA in model no., e.g. FXS-30/18/PA).
- Stainless steel ring is not painted.
- **Optional:** Firering is provided with a 3/16" x 7-1/8" x 9-5/8" black steel plate utility shelf. (Add /S to end of model no., e.g. FXS-30/18/PA/S.)
- **Optional:** Model DIG/S-U2 drop-in cooking grate, laser cut from 11 ga. stainless steel. Welded assembly. Not painted.
- **Optional:** Model CFX-30 firering cover, 16 Ga. pre-galvanized steel with 1/2" formed lip around the outside edge, (2) pre-galvanized handles, and a pre-drilled hole for a chain or cable kit (not included).

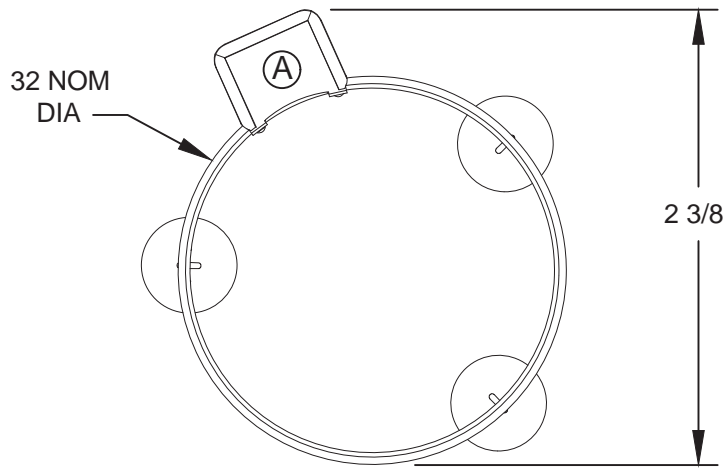
AVAILABLE OPTIONS

- **Drop-in Cooking Grate**
- **Utility Shelf**
- **Snuffer Cover**

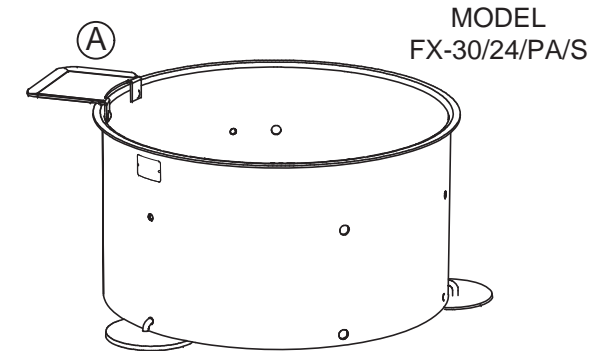
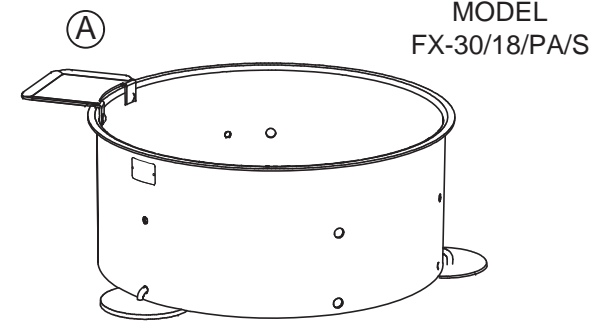
RJ Thomas Mfg. Co., Inc.

PO Box 946 • Cherokee, IA 51012-0946 • PH: 712-225-5115 • 800-762-5002 • FAX: 712-225-5796
E-mail: pilotrock@rjthomas.com • Web Site: <http://www.pilotrock.com>

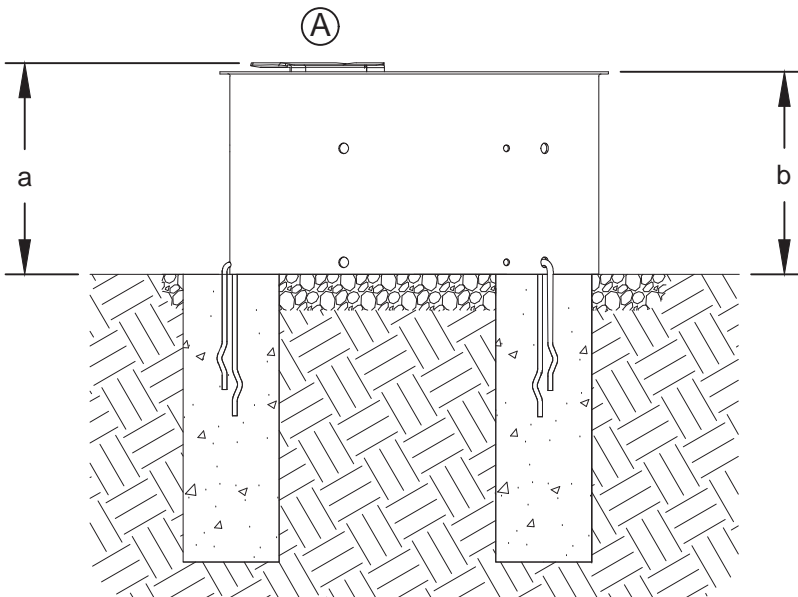
© 2017 RJ Thomas Mfg. Co., Inc. PILOT ROCK® Park Products is a registered trademark of RJ Thomas Mfg. Co., Inc.



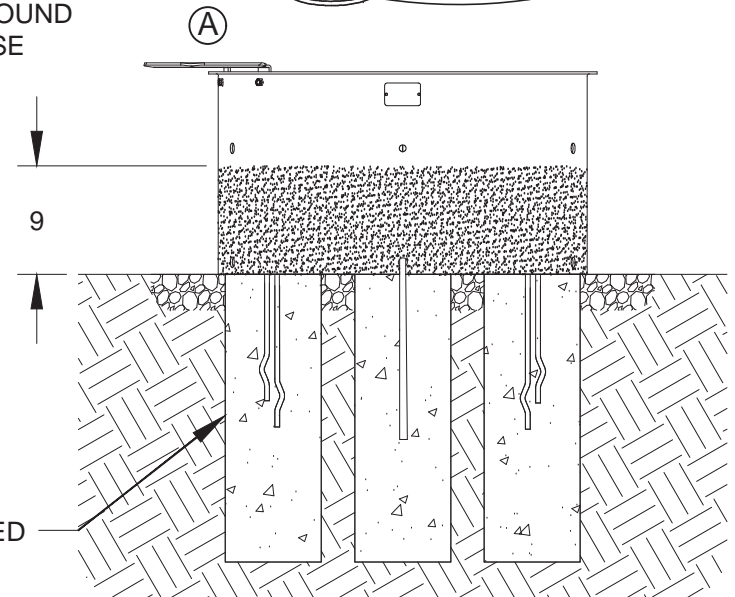
MODEL NUMBER	DIMENSION	
	a	b
FXS-30/18	17 1/2	16 3/4
FXS-30/24	24	23 1/4



(A) OPTIONAL UTILITY SHELF
- ADD /S TO MODEL NUMBER



FILL TO RECOMMENDED
HEIGHT ABOVE GROUND
LEVEL WITH COARSE
AGGREGATE FILL
(CONFORMS TO
ADA GUIDELINES
OF MIN 9" HEIGHT
ABOVE GROUND
FOR FIRE BASE)



8" DIA. x
24" DEEP
(18" MIN)
CONCRETE
FOOTING
RECOMMENDED

ALL DIMENSIONS IN INCHES

RJThomas Mfg. Co., Inc.
P.O. Box 946 • Cherokee, IA 51012-0946

DRAWN BY
MFI

TITLE FXS-30 SERIES 18" AND 24" STAINLESS STEEL ACCESSIBLE CAMPFIRE RING WITH
NO GRATE AND PIN ANCHORS -SHOWN WITH OPTIONAL UTILITY SHELF

DATE 8-30-17

DWG. NO. AI-2079