

Gibraltar Series Cast Iron Bench with Lumber Back and Seat Planks



*Model GB/B-6TP24 6 Ft. long Gibraltar Cast Iron Bench
with Black powder coated frames
and Treated Southern Yellow Pine 2" x 4" Slats.*

- **Ornate Cast Iron frames are made of Recycled Iron**
- **Surface mount or portable**
- **Powder coated finish on cast iron frames**
- **Treated #1 Southern Yellow Pine Planks**
- **Precision drilled lumber**
- **Quality construction throughout**

SPECIFICATIONS:

- **GB Series** bench end frames are one-piece, molded cast iron frame made from recycled iron. Ornate design incorporates legs, seat and back supports, and armrest in a single component. Frame feet include 7/16" dia. anchor holes for mounting on hard surfaces (anchors not included).
- **Model GB-4** is 4 ft. long (nom.) with two frames.
- **Model GB-6** is 6 ft. long (nom.) with two frames.
- **Model GB3-8** is 8 ft. long (nom.) with three frames.
- **Standard:** All cast iron frame components are powder coated black (indicated by "/CB" in model no., e.g. GB/CB-4TP24) after fabrication.
- **Standard:** Seat and back are (6) 2" x 4" (nom.) Treated #1 Southern Yellow Pine slats, pressure treated and kiln dried after treatment (KDAT) to preserve wood against decay (indicated by "TP24" at end of the model no, e.g. GB/B-4TP24).
- All fasteners are provided for assembly.
- **Optional:** Color choices of powder coat frame finish. For optional colors choices see Specification Bulletin #SPC-CO-001.

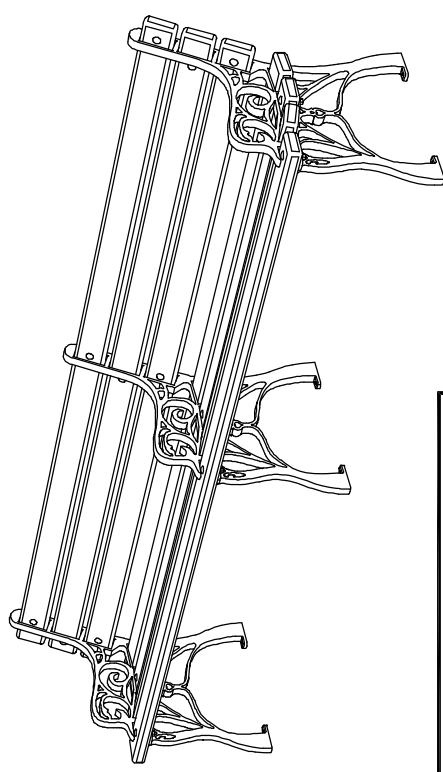
AVAILABLE OPTIONS

- **4', 6' or 8' models**
- **Choice of colors of Powder Coat Finish on cast iron frame components**
- **Routed Lettering available (call for details)**

RJ Thomas Mfg. Co., Inc.

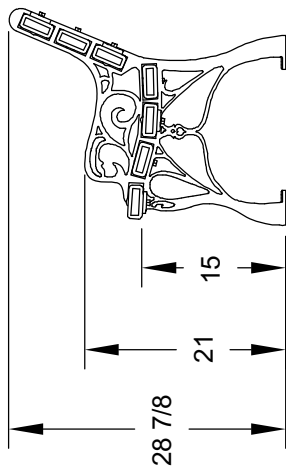
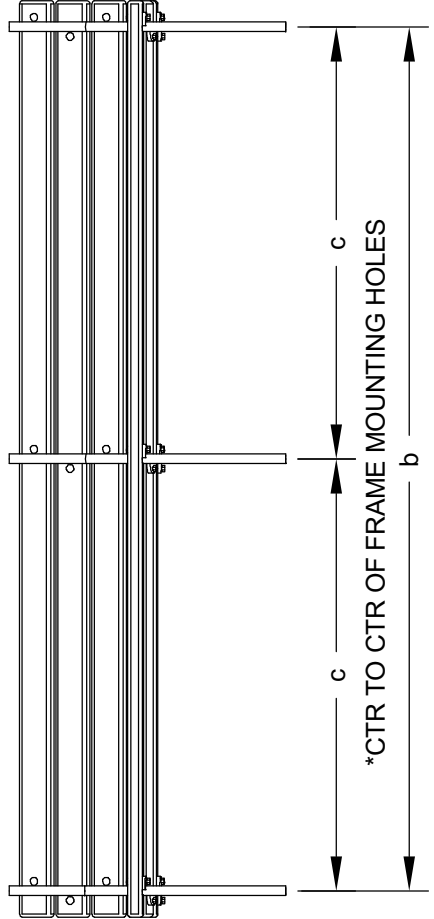
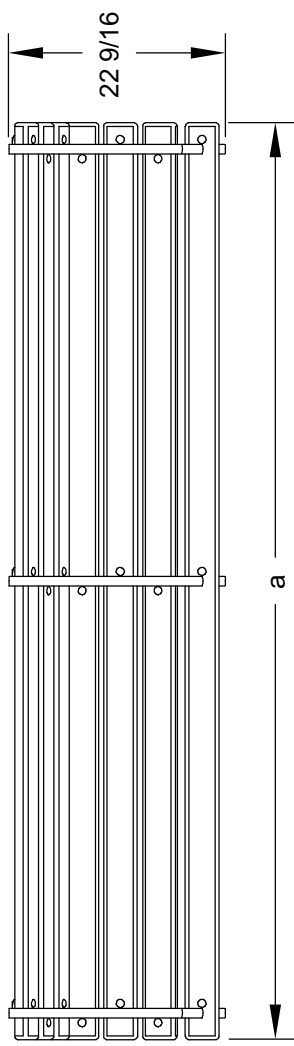
PO Box 946 • Cherokee, IA 51012-0946 • PH: 712-225-5115 • 800-762-5002 • FAX: 712-225-5796
E-mail: pilotrock@rjthomas.com • Web Site: <http://www.pilotrock.com>

© 2008 RJ Thomas Mfg. Co., Inc. PILOT ROCK[®] Park Products is a registered trademark of RJ Thomas Mfg. Co., Inc.



* NOTE:
 4 AND 6 FT. LONG BENCH
 USES TWO FRAMES
 (DOES NOT HAVE
 CENTER FRAME)

MODEL NUMBER	DIMENSION		
	a	b	c*
GB-4	47 1/2	42	N/A
GB-6	71 1/2	66	N/A
GB-8	95 1/2	90	45



ALL DIMENSIONS IN INCHES

RJThomas Mfg. Co., Inc.
 P.O. Box 946 • Cherokee, IA 51012-0946

DRAWN BY
WWM

TITLE GIBRALTAR SERIES 4, 6 AND 8 FOOT CAST IRON BENCH WITH LUMBER PLANKS

DATE 9-03-08

DWG. NO. **AJ-1719**